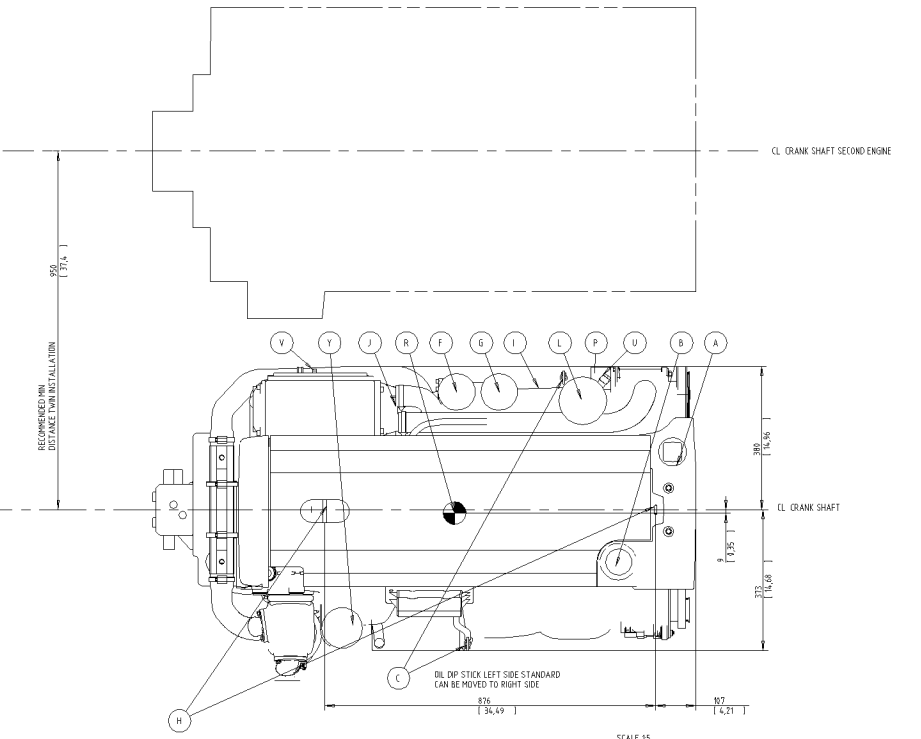
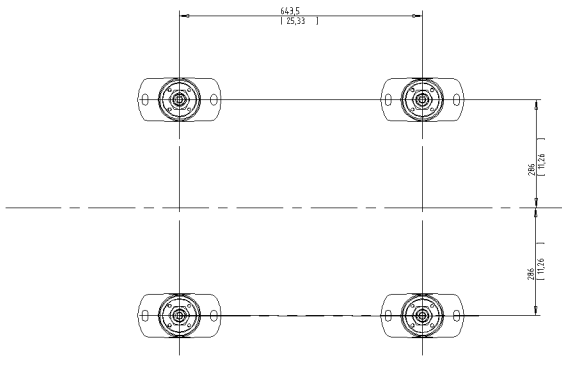
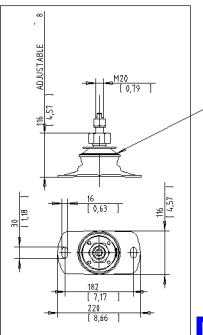


- A WATER FILLER CAP, FRESH WATER
- B OIL FILLER CAP, ENGINE
- C OIL DIP STICK, ENGINE
LEFT OR RIGHT SIDE MOUNTED
- D ECU CONTROL UNIT
- E OIL DRAIN PIPE, ENGINE n 12,5
- F OIL FILTER MAIN
- G OIL FILTER BYPASS
- H LIFTING EYE
- I WATER DRAIN, FRESH WATER
- J WATER DRAIN, SEA WATER
- K AIR FILTER
- L FUEL FILTER
- M HOT WATER OUTLET n 16
- N HOT WATER INLET n 16
- O ELECTRICAL FUSES (ONLY 24V)
- P SEA WATER INLET n 50
- Q OIL DIP STICK REVERSE GEAR
- R CENTRE OF GRAVITY
- S WATER INLET
- T OIL DRAIN REVERSE GEAR
- U FUEL INLET CONNECTION
- V FUEL RETURN TO TANK
- X ENGINE STOP
- Y CRANK CASE VENTILATION
- Z EXHAUST RISER n 127 (5") (OPTION)
- AA SEA WATER PUMP
- AB EXHAUST ELBOW n 127 (5")
- AC EXTRA ALTERNATOR
- AD DIAGNOSE CONNECTOR
- AE ELASTIC SUSPENSION (4x)
- AF DATALINK, SENDER AND AUX (2x)



SCALE 15

<p>GENERAL OPERATING TIMES AND GENERAL DIMENSIONS ARE GIVEN IN THIS DRAWING</p>	
<p>Approved by: ENGINE DIMENSIONS P16-P18/RAE</p>	<p>Approved by: DIMENSION DRAWING (See Approval/Drawn page)</p>
<p>Part No: 21912425</p>	<p>Rev: 01</p>

Plus d'informations sur : www.dbmoteurs