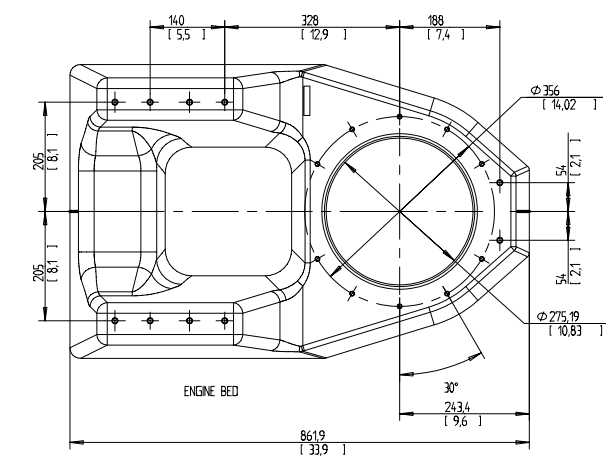
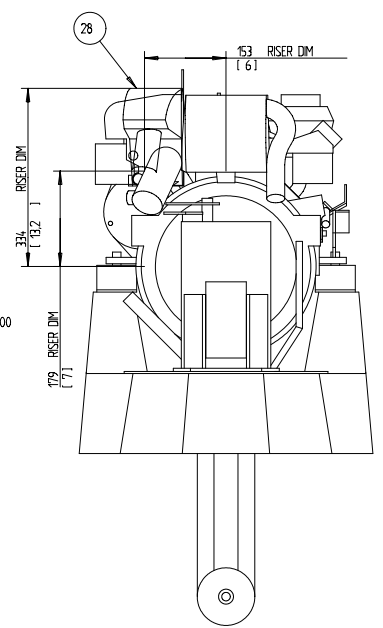
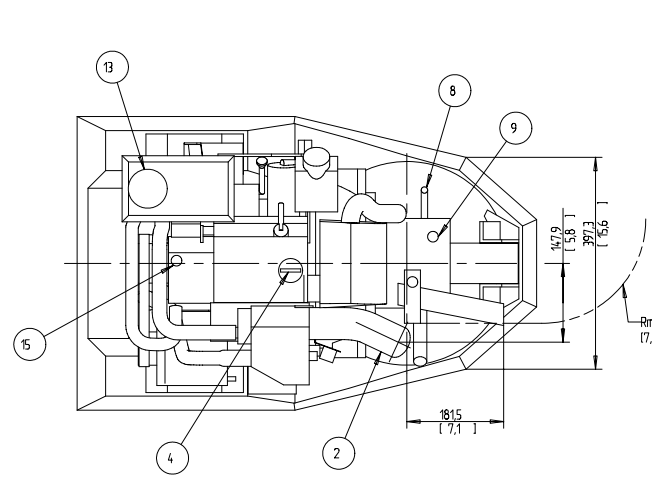
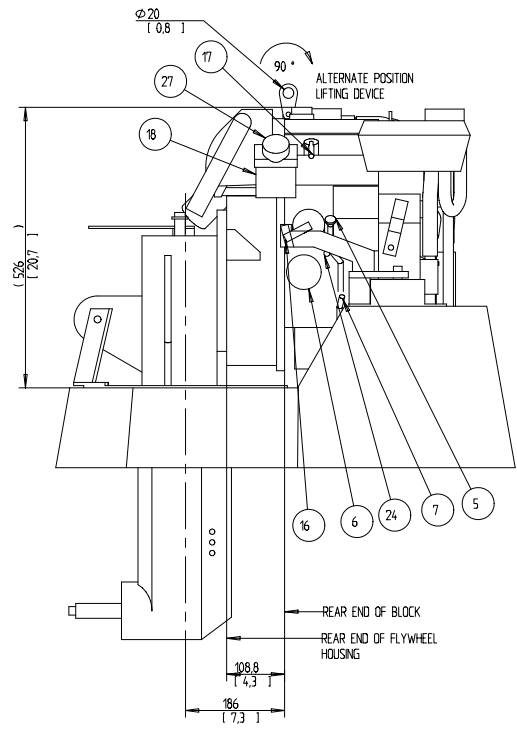
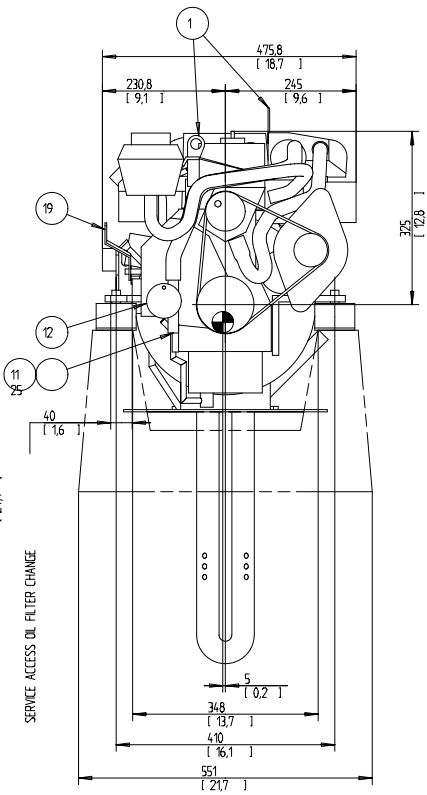
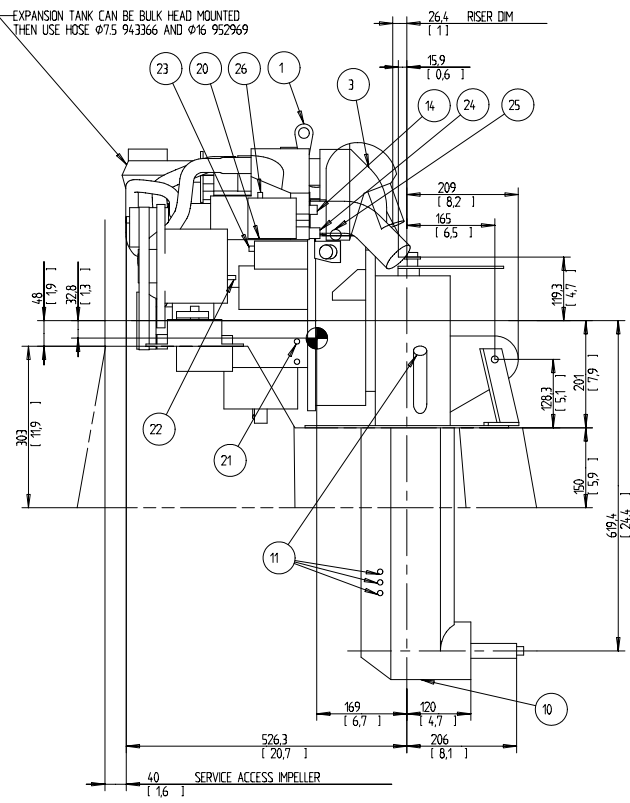


EXPANSION TANK CAN BE BULK HEAD MOUNTED THEN USE HOSE Ø75 943366 AND Ø16 952969



Customer Name	Location	Draw description	P/A	2	1
DBM 016			D 1.2	030	RELEASED
					Revision count

SCALE 1:5
 OIL CAPACITY INCLUDING OIL FILTER: 19 LITERS
 FRESHWATER SYSTEM CAPACITY: 2.7 LITERS
 WEIGHTS:
 DRY 123 kg
 OIL & WATER 128 kg
 DIMENSION IN MILLIMETRES AND (INCHES)

NR	ITEM
1	LIFTING DEVICE
2	EXHAUST ELBOW FOR HOSE ID 45(1.75)
3	AIR FILTER (SILENCER)
4	OIL FILLING
5	OIL DIPSTICK ENGINE
6	OIL FILTER
7	OIL DRAIN (WITH PUMP) ENGINE ID 8 (0.35)
8	OIL DIPSTICK REVERSE GEAR
9	OIL FILLER CAP REVERSE GEAR
10	OIL DRAIN REVERSE GEAR
11	SEA WATER INLET FOR HOSE ID 19(0.75)
12	SEA WATER PUMP
13	WATER FILLER CAP FRESH WATER
14	HOT WATER OUTLET
15	HOT WATER INLET
16	FUEL CONNECTION FOR HOSE ID 10 (3/8)
17	FUEL RETURN CONNECTION FOR HOSE ID 10 (3/8)
18	FUEL FILTER
19	SPEED CONTROL LEVER
20	CONNECTION BOX FOR EXTENSION CABLE
21	BATTERY MINUS (-) CONNECTION
22	PLUS (B+) CONNECTION FOR CHARGING DISTRIBUTOR
23	STARTER BATTERY PLUS (+) CONNECTION
24	WATER DRAIN FRESH WATER
25	WATER DRAIN SEAWATER
26	AUTOMATIC FUSE RESET
27	HAND PRIMER PUMP
28	RISER (OPTIONAL)
29	CENTRE OF GRAVITY

VOLVO PENTA ENGINE DIMENSIONS D1-13/130S		SHEETS: DESIGN/DOC AND GENERAL DRAWING METHODS STD 00-000 AND STD 002960
The capacity, applicability and utilization of this document is valid only in the context of the contract to which it refers and is not valid for purposes of design. All rights reserved. In the event of any dispute, the manufacturer shall be held liable for any damage, injury, loss or environmental damage.		Document type DIMENSION DRAWING Part number 3591386
VOLVO PENTA		Drawing No 3591386
Drawing No 3591386		Part No 101