

VUES ÉCLATÉES ET LISTES DE PIÈCES POUR MOTEURS VOLVO PENTA

TAD734GE, TAD750GE, TAD751GE,
TAD752GE, TAD753GE, TAD754GE



DB MOTEURS

Volvo Penta Center

www.dbmoteurs.fr

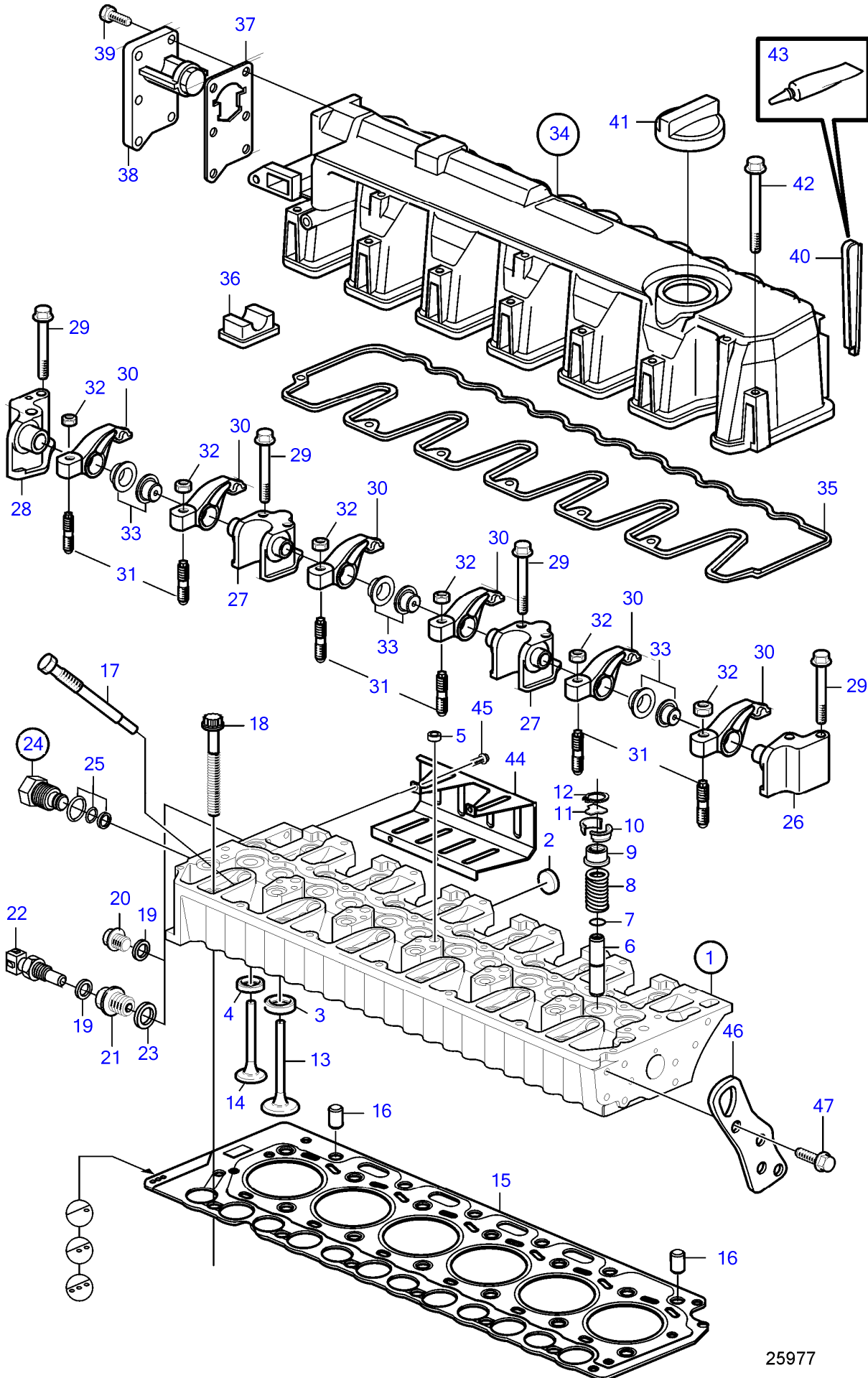
03 28 64 36 36

contactweb@dbmoteurs.fr

CONTACTEZ-NOUS POUR VOTRE PROJET DE (RE)MOTORISATION
OU POUR TOUT BESOIN DE PIÈCES DÉTACHÉES VOLVO PENTA

Plus d'infos sur : www.dbmoteurs.fr

TAD750GE, TAD751GE

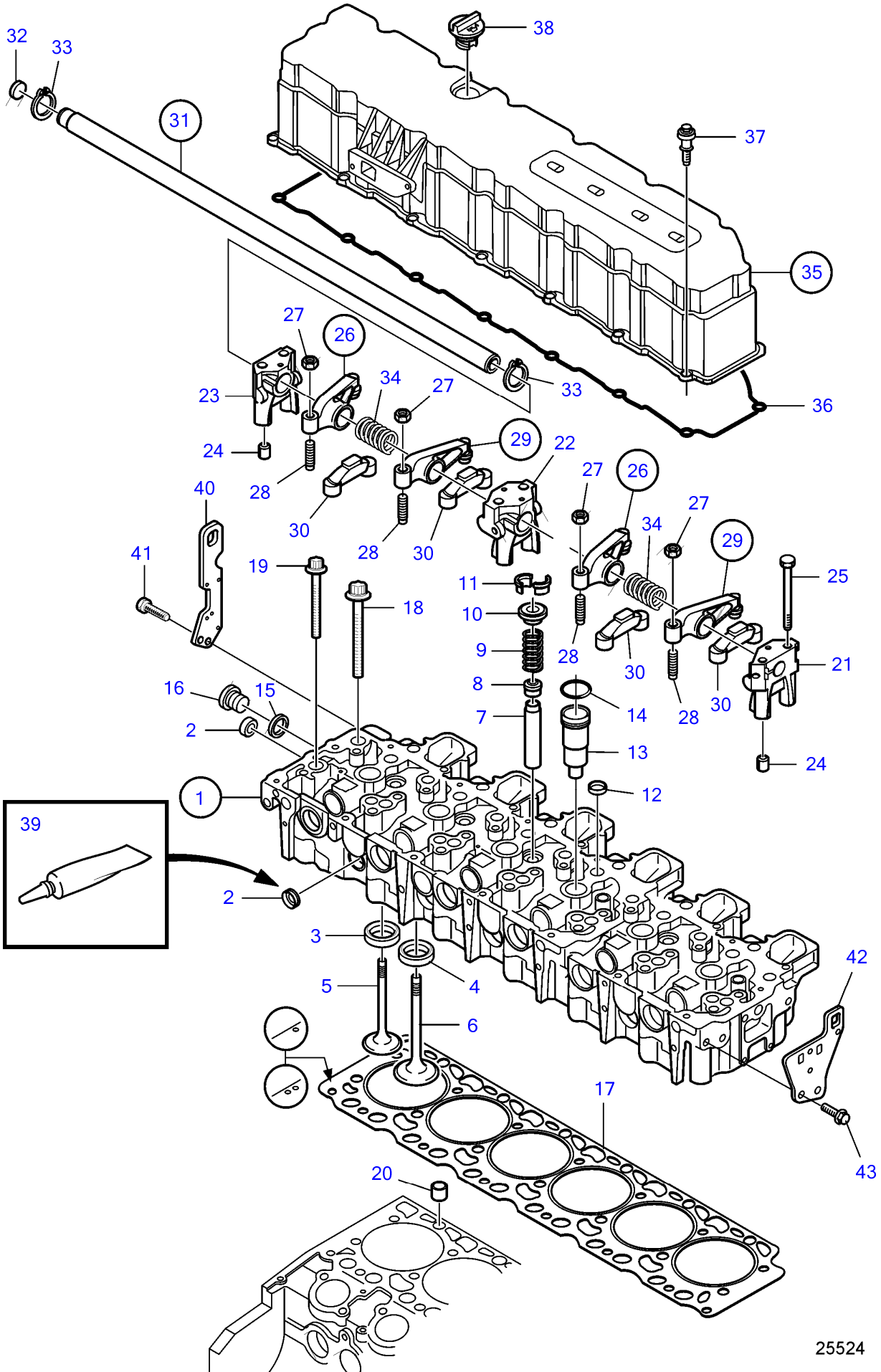


25977

TAD750GE, TAD751GE

REF	PART NO.	QTY	DESCRIPTION	SEE SEC.	NOTES
1	20799762	1	Cylinder head		
	3803975	1	Cylinder head, exch		
	3803975	1	Cylinder head		
2	20799722	5	• Cap plug		
3	20459962	6	• Valve seat, intake		Std=49,09mm, Std
	20580079	6	• Valve seat, intake		O.S=0,20mm
	20580080	6	• Valve seat, intake		O.S=0,40mm
4	20845144	6	• Valve seat, exhaust		Std=43,60mm, Std
	20580082	6	• Valve seat, exhaust		O.S=0,20mm
	20580083	6	• Valve seat, exhaust		O.S=0,40mm
5	20412733	5	• Cap plug		
6	20405897	12	• Valve guide		Std=15,00mm, Std
	20580074	12	• Valve guide		O.S=0,25mm
	20580078	12	• Valve guide		O.S=0,50mm
7	976013	12	• O-ring		
8	11700347	12	• Compression spring		
9	20847155	12	• Retainer		
10	11700345	24	• Collet		
11	20840807	12	• Thrust washer		
12	20840772	12	• Lock ring		
13	20758481	6	• Inlet valve		
14	20755883	6	• Exhaust valve		
15	20943385	1	Cylinder head gasket		TH=1,45mm, One dot
	20949868	1	Cylinder head gasket		TH=1,55mm, Two dots
	20943389	1	Cylinder head gasket		TH=1,65mm, Three dots
16	20405521	2	Spring pin		
17	21455743	6	Plug		24V
18	11700334	26	Six point screw		
19	993358	2	Gasket		
20	888774	1	Plug		
21	20450683	1	Adapter		
22	20513340	1	Sensor	54161524	
23	907137	1	Gasket		
24	20805523	1	Sealing kit		
25	20873253	1	• Gasket kit		
26	20805512	1	Rocker arm shaft		
27	20805516	5	Rocker arm shaft		
28	20805520	1	Rocker arm shaft		
29	20405723	14	Flange screw		
30	21448926	12	Rocker arm		
31	20913851	12	Adjusting screw		
32	11700373	12	Hexagon nut		
33	20794115	12	Washer		
34	21596264	1	Valve cover, flat		
35	20792871	1	• Gasket, valve cover		
36	20412600	1	• Cap		
37	20840801	1	• Gasket		
38	20933359	1	• Oil separator		
39	949556	6	• Flange screw		
40	20847667	1	• Seal		
41	20412589	1	Filler cap		
42	21145471	13	Flange screw		
43	1161075	1	Locking fluid		
44	21665017	1	Baffle		
45	20715679	4	Oil cooler		
46		2	Lifting eye		
47	970947	6	Hexagon screw		

TAD752GE, TAD753GE, TAD754GE

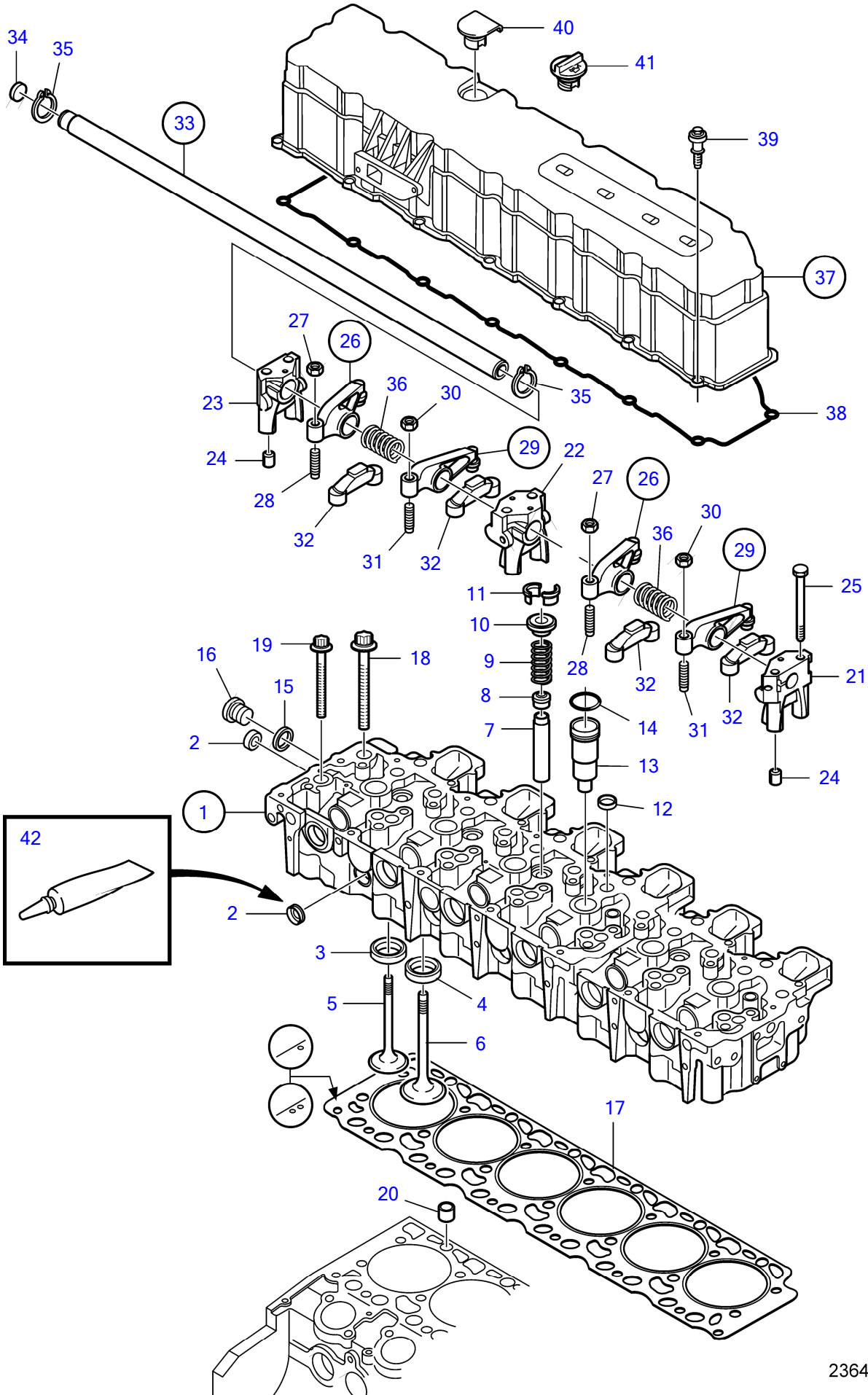


25524

TAD752GE, TAD753GE, TAD754GE

REF	PART NO.	QTY	DESCRIPTION	NOTES
1	3801237	1	Cylinder head, exch	Replaced by 3801471
	3801471	1	Cylinder head	Replaced by 3801588
	22243674	1	Cylinder head	
	3801588	1	Cylinder head, exch	
2	20834024	6	• Cap plug	
3	21087443	12	• Valve seat, intake	Std
4	20833930	12	• Valve seat, exhaust	Std
5	20833932	12	• Inlet valve	
6	20833936	12	• Exhaust valve	
7	20789674	24	• Valve guide	Std, Replaced by 21705499
	21705499	24	• Valve guide	Std, Replaced by 22494872
	22494872	24	• Valve guide	Std
8	20459855	24	• Valve stem seal	
9	20859646	24	• Compression spring	
10	20788860	24	• Cap	
11	20459857	48	• Valve cotter	
12	20799312	6	• Cap plug	
13	20903104	6	• Sleeve	
14	20903092	6	• O-ring	
15	993605	1	• Gasket	
16	20459941	1	• Plug	
17	20833938	1	Cylinder head gasket	TH=1,15mm, One dot
	20833939	1	Cylinder head gasket	TH=1.25mm, Two dots
18	20793002	20	Six point screw	L=170mm
19	20792992	6	Six point screw	L=134mm
20	20799601	2	Spring pin	
21	20858516	1	Bracket	
22	20858519	5	Bracket	
23	20858513	1	Bracket	
24	20799596	2	Spring pin	
25	993447	14	Flange screw	
26	21242550	6	Rocker arm, intake	
27	11700373	12	• Hexagon nut	
28	20861870	12	• Adjusting screw	
29	21242533	6	Rocker arm, exhaust	
30	20861884	12	Bridge, valve bridge	
31	21294973	1	Rocker arm shaft	
32	20799622	2	• Cap plug	
33	945495	2	Snap ring	
34	20800018	6	Compression spring	
35	21002531	1	Valve cover	
36	20788793	1	• Plane gasket	
37	20833901	15	• Screw	
38	20902400	1	Filler cap	
39	1161075	1	Locking fluid	
40		1	Lifting eye	
41	21699096	2	Hexagon screw	
42		1	Lifting eye	
43	20556904	2	Hexagon screw	

TAD734GE

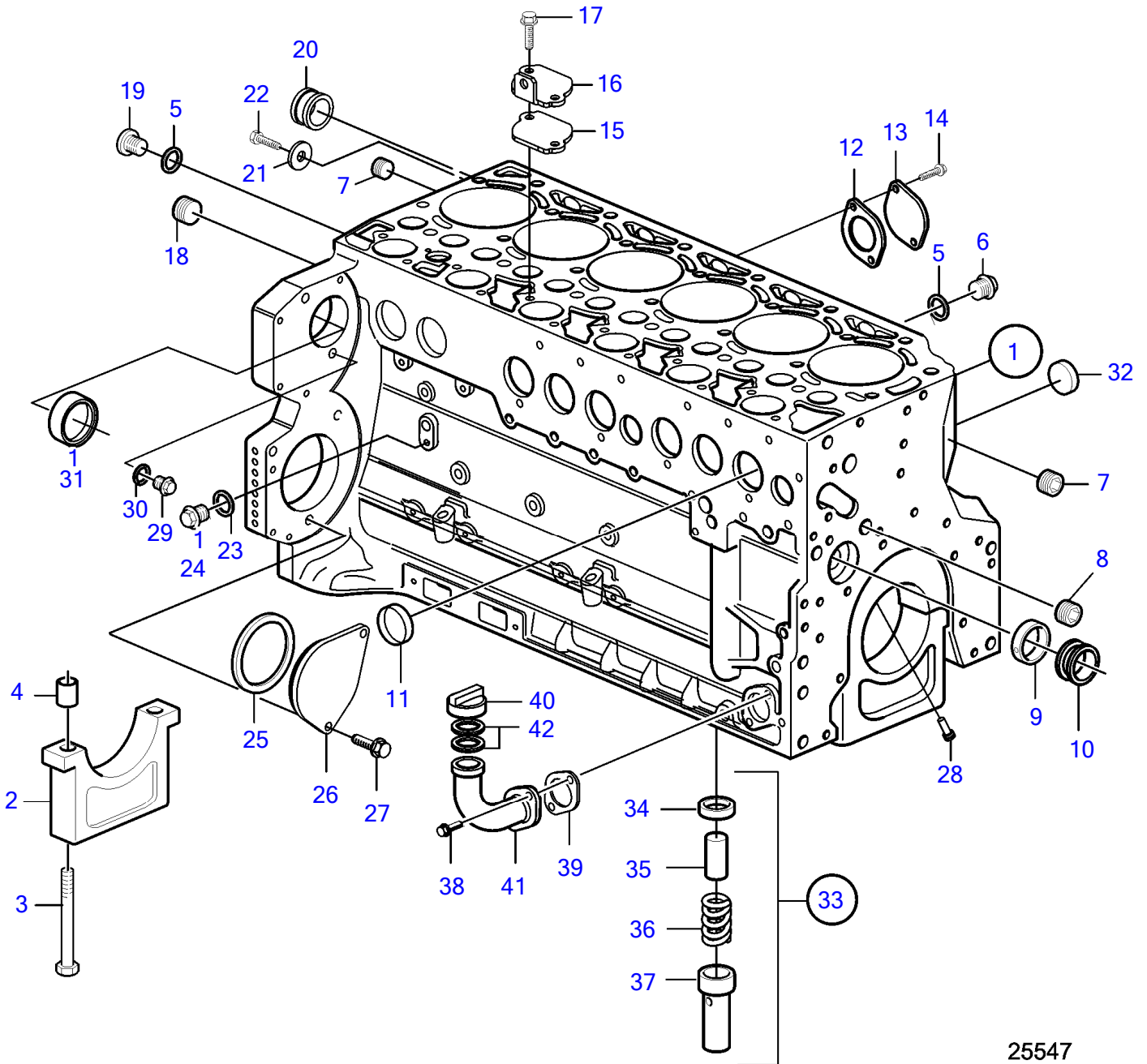


23642

TAD734GE

REF	PART NO.	QTY	DESCRIPTION	NOTES
1	3801161	1	Cylinder head, exch	Replaced by 3801237
	3801237	1	Cylinder head, exch	Replaced by 3801471
	3801471	1	Cylinder head	Replaced by 3801588
	22243674	1	Cylinder head	
	3801588	1	Cylinder head, exch	
2	20834024	6	• Cap plug	
3	20833930	12	• Valve seat, Exhaust	Std
4	21087443	12	• Valve seat, Intake	Std
5	20833932	12	• Inlet valve	
6	20833936	12	• Exhaust valve	
7	20789674	24	• Valve guide	Std, Replaced by 21705499
	21705499	24	• Valve guide	Std, Replaced by 22494872
	22494872	24	• Valve guide	Std
8	20459855	24	• Valve stem seal	
9	20859646	24	• Compression spring	
10	20788860	24	• Cap	
11	20459857	48	• Valve cotter	
12	20799312	6	• Cap plug	
13	20903104	6	• Sleeve	
14	20903092	6	• O-ring	
15	969011	1	• Gasket	
16	20459941	1	• Plug	
17	20833938	1	Cylinder head gasket	TH=1,15mm, One dot
	20833939	1	Cylinder head gasket	TH=1.25mm, Two dots
18	20793002	20	Six point screw	L=170mm
19	20792992	6	Six point screw	L=134mm
20	20799601	2	Spring pin	
21	20858516	1	Bracket	
22	20858519	5	Bracket	
23	20858513	1	Bracket	
24	20799596	2	Spring pin	
25	984744	14	Flange screw	
26	20861386	6	Rocker arm, intake	
	21062723	6	Rocker arm, intake	(20861386)
27	11700373	6	• Hexagon nut	
28	20861870	6	• Adjusting screw	
29	20861407	6	Rocker arm, exhaust	
	21062734	6	Rocker arm, exhaust	(20861407)
30	11700373	6	• Hexagon nut	
31	20861870	6	• Adjusting screw	
32	20861884	12	Bridge, valve bridge	
33	20861310	1	Rocker arm shaft	
	21160803	1	Rocker arm shaft	(20861310)
34	20799622	2	• Cap plug	
35	20549891	2	Snap ring	
36	20800018	6	Compression spring	
37	20898149	1	Valve cover	
	21002531	1	Valve cover	Replaced by 21002531
38	20788793	1	• Plane gasket	
39	20833901	15	• Screw	
40	20859656	1	Cover	
41	20902400	1	Filler cap	For valve cover 21002531
42	1161075	1	Locking fluid	

TAD750GE, TAD751GE

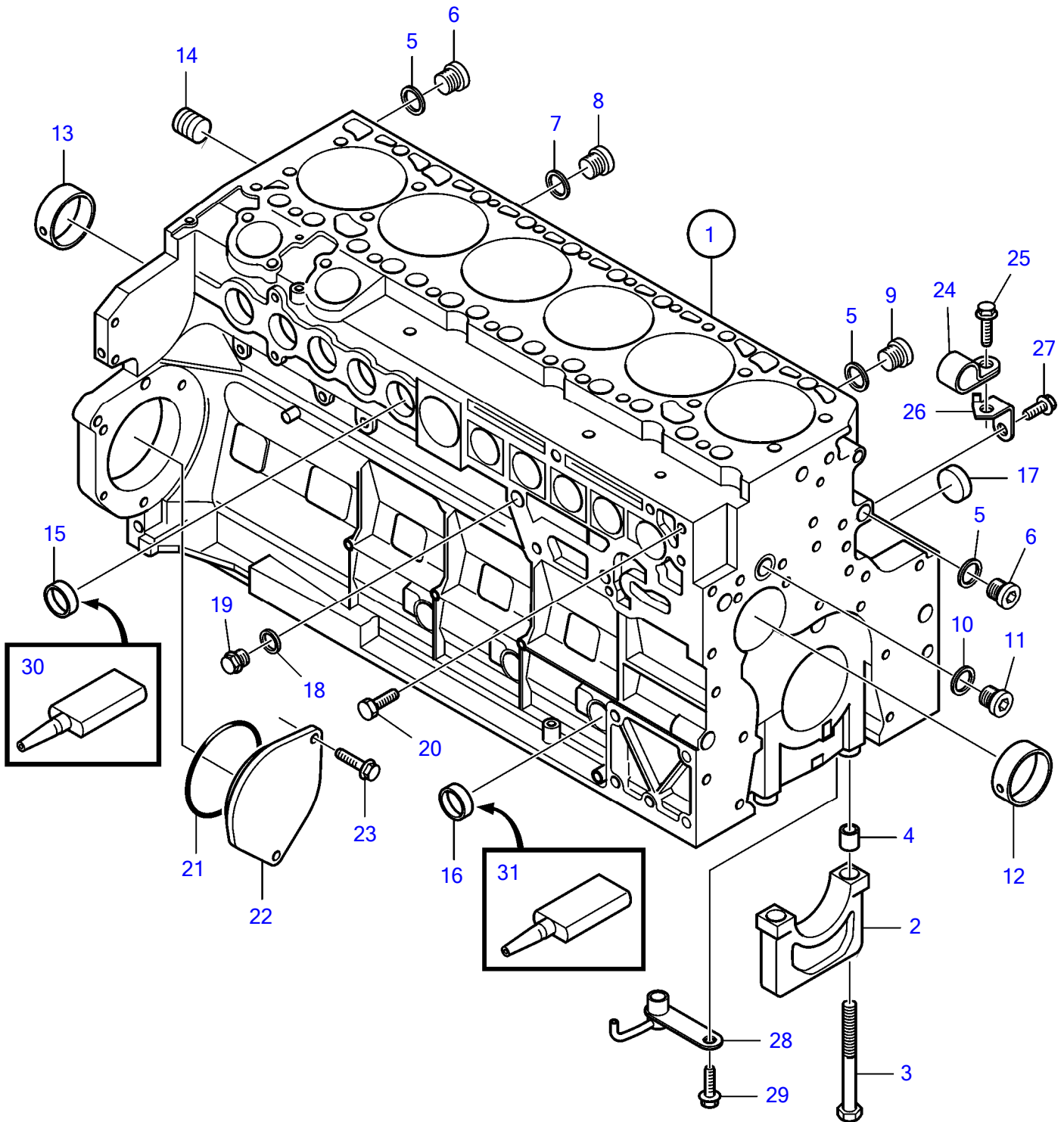


25547

TAD750GE, TAD751GE

REF	PART NO.	QTY	DESCRIPTION
1	20851922	1	Crankcase
2		7	• Main bearing cap
3	20405583	14	• Flange screw
4	11700278	14	• Bushing
5	969011	3	• Gasket
6	20405716	2	• Plug
7	20508600	2	• Plug
8	20405719	1	• Plug
9	11700285	1	• Bushing
10	11700284	6	• Bushing
11	20405721	10	• Cap plug
12	20412341	1	• Gasket
13	21180405	1	• Flange
14	975197	2	• Flange screw
15	20933203	6	• Gasket
16	20840812	6	• Cover
17	984733	12	• Flange screw
18	20785813	1	• Plug
19	11700279	1	• Plug
20	20794126	1	Bushing
21	20460087	1	Washer
22	20460101	1	Hexagon screw
23	969011	1	Gasket
24	20405716	1	Plug
25	20412359	1	O-ring
26	24426064	1	Cover
27	993357	2	Flange screw
28	20405561	6	Piston cooling jet
29	20441859	2	Filling-in plug
30	947281	2	Gasket
31	20450778	1	Core plug
32	20405986	1	Cap plug
33	11700271	1	Delivery valve
34	20405904	1	• Ring
35	20405936	1	• Valve
36	20405896	1	• Compression spring
37	20405937	1	• Sleeve
38	975197	2	Flange screw
39	20405825	1	Gasket
40	20405835	1	Filler cap
41	20412347	1	Oil filler pipe
42	20460209	1	Repair kit

TAD752GE, TAD753GE, TAD754GE

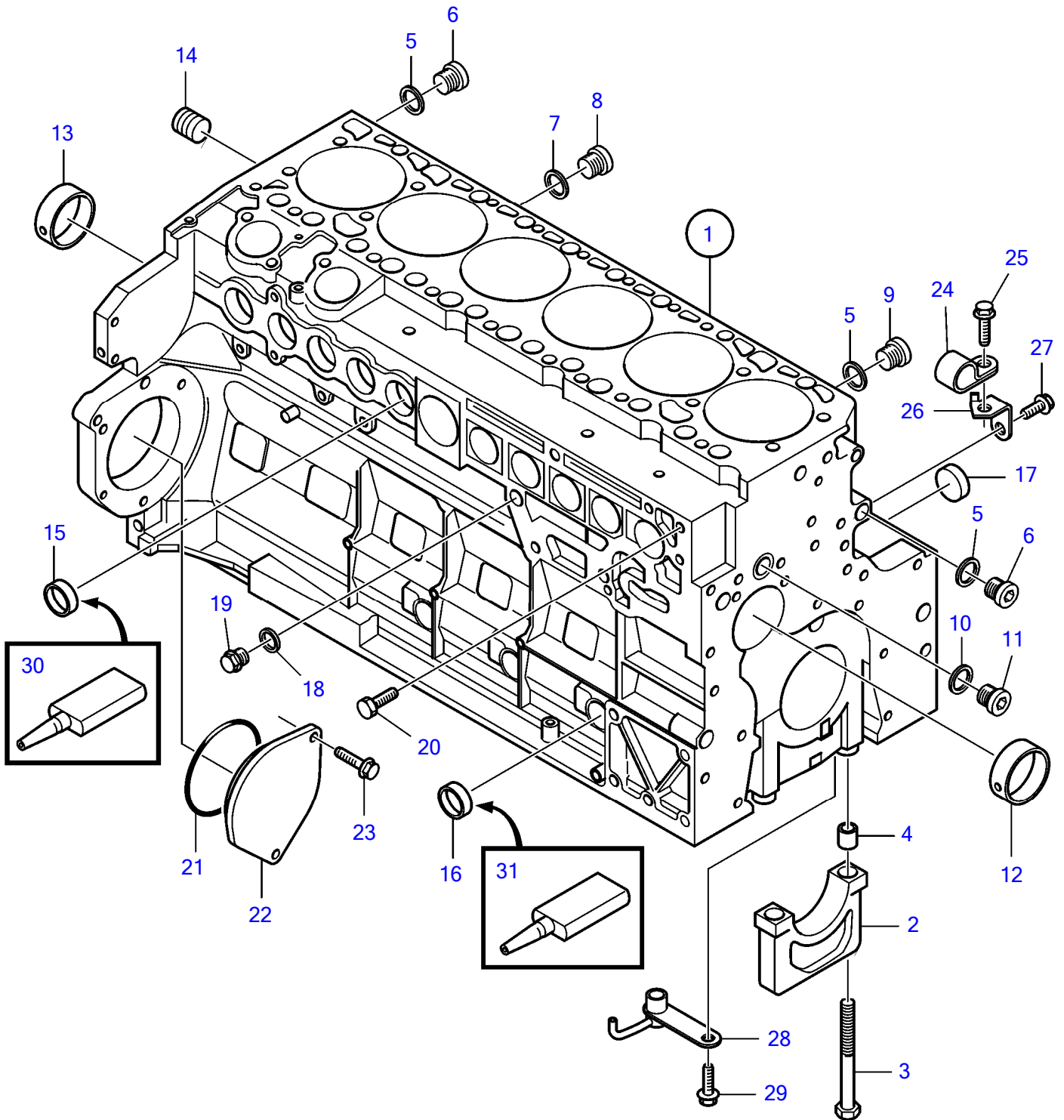


23643

TAD752GE, TAD753GE, TAD754GE

REF	PART NO.	QTY	DESCRIPTION	SEE SEC.	NOTES
1	21294027	1	Crankcase		
2		7	• Main bearing cap		
3	20860579	14	• Flange screw		
4	20858657	14	• Bushing		
5	969011	3	• Gasket		
6	11700279	1	• Plug		
7	907137	1	• Gasket		
8	20459195	1	• Plug		
9	20405716	1	• Plug		
10	993680	1	• Gasket		
11	20460024	1	• Plug		
12	20858674	6	• Bushing		
13	20858666	1	• Bushing		
14	20405722	1	• Plug		
15	20405721	10	• Cap plug		
16	20799589	1	Cap plug		
17	20798056	1	Plug		Use locking fluid 1161075
18	969011	1	Gasket		
19	20405716	1	Plug		
20	969408	1	Six point socket scr		
21	20412359	1	O-ring		
22	24426064	1	Cover		
23	993357	2	Flange screw		
24	20859735	6	Clamp		
25	984733	15	Flange screw		
26	21166562	1	Retaining plate		
27	20859779	1	Flange screw		
28		6	Piston cooling jet	54161499	
29		6	Flange screw	54161499	
30	1161231	1	Sealant		
31	1161075	1	Locking fluid		

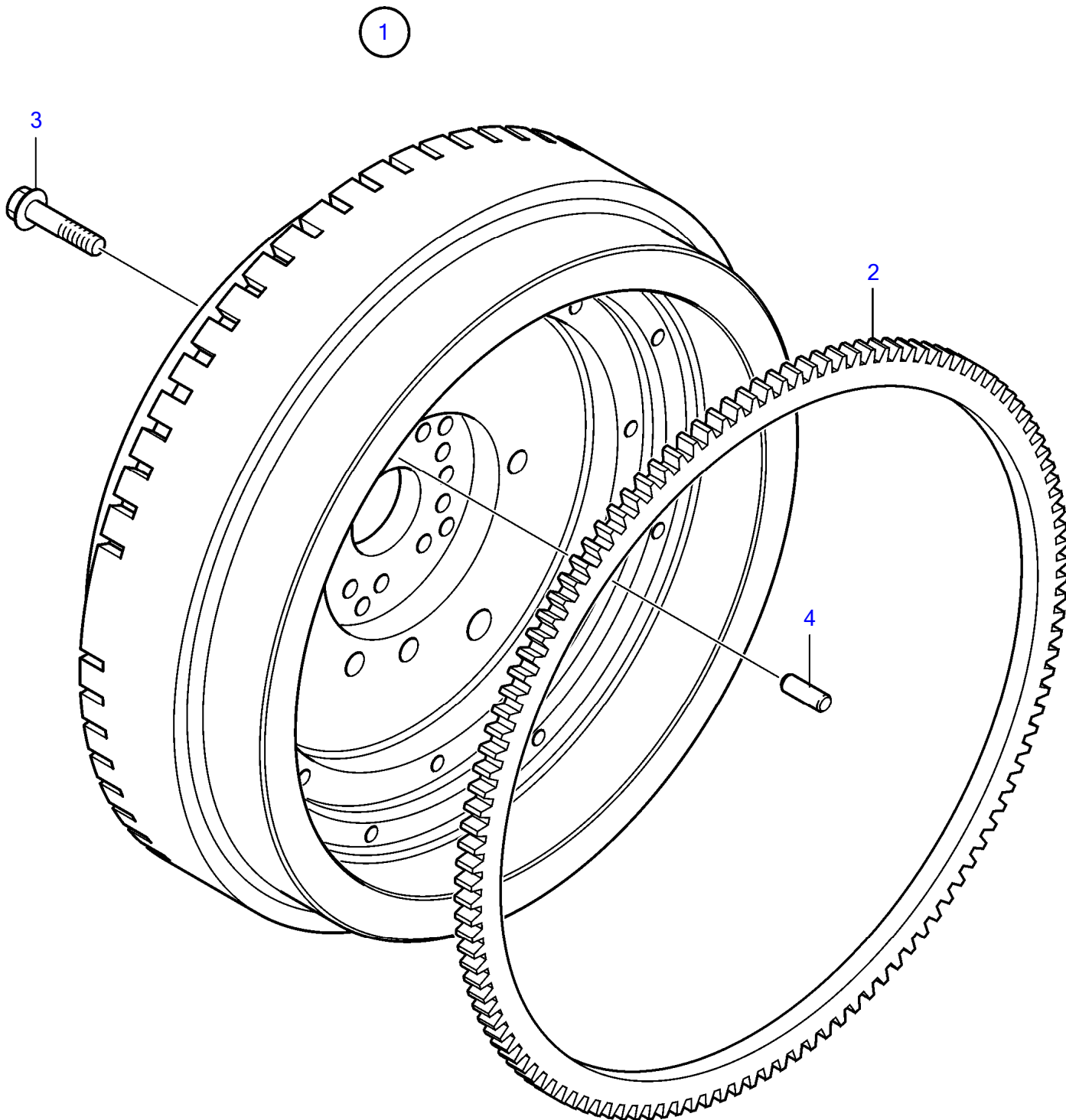
TAD734GE



23643

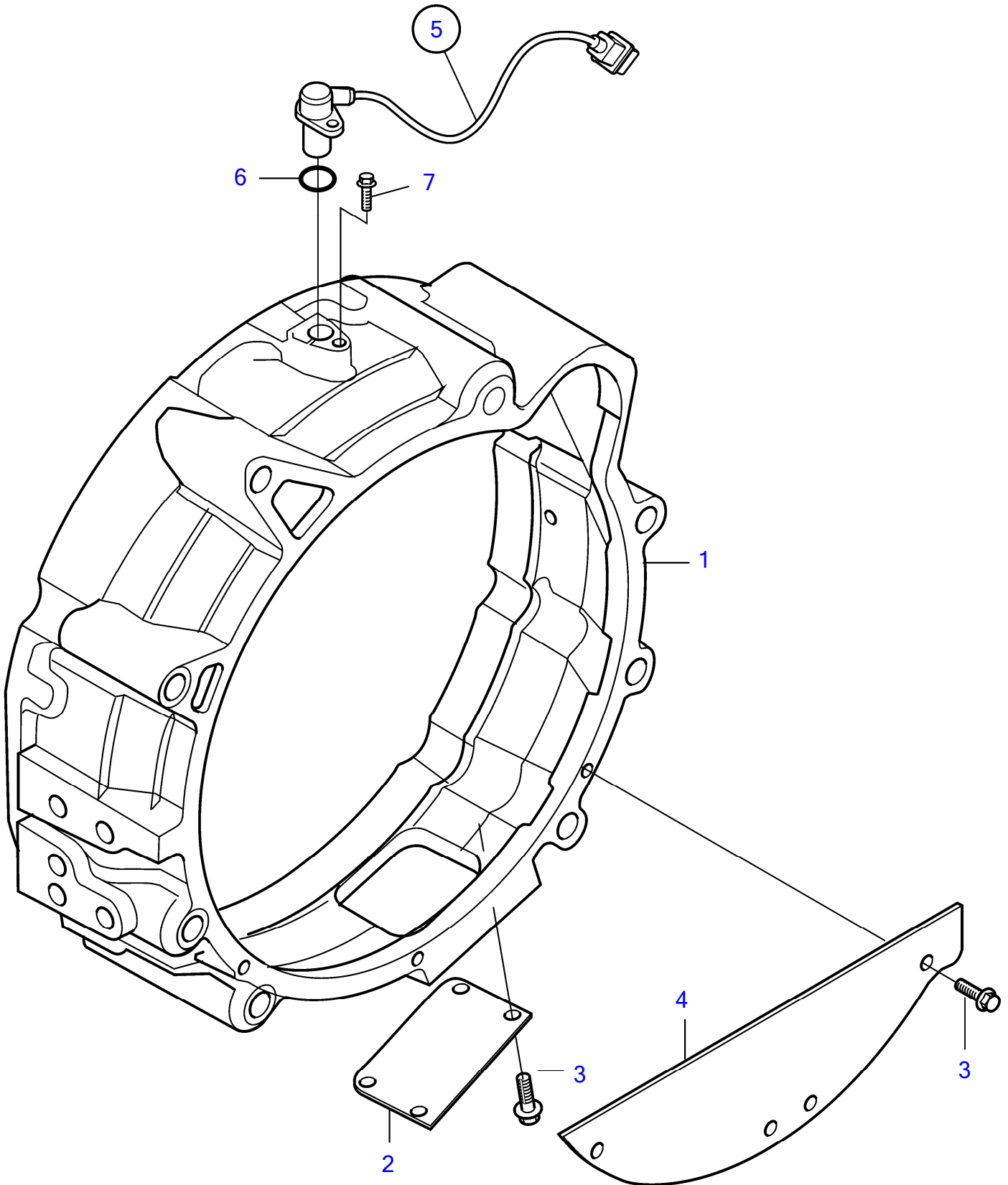
TAD734GE

REF	PART NO.	QTY	DESCRIPTION	SEE SEC.	NOTES
1	20890567	1	Crankcase		SN-5310323113, Delivered with cylinder liner.
	21009639	1	Crankcase		SN5310335214-5310732542
	21294027	1	Crankcase		SN5310732543-
2		7	• Main bearing cap		
3	20860579	14	• Flange screw		
4	20858657	14	• Bushing		
5	969011	3	• Gasket		
6	11700279	1	• Plug		
7	947628	1	• Gasket		
8	20459195	1	• Plug		
9	20405716	1	• Plug		
10	20460026	1	• Sealing ring		
11	20460024	1	• Plug		
12	20858674	6	• Bushing		
13	20858666	1	• Bushing		
14	20405722	1	• Plug		
15	20405721	10	• Cap plug		
16	20799589	1	Cap plug		
17	20890988	1	Cap plug		Use locking fluid 1161075
18	969011	1	Gasket		
19	20405716	1	Plug		
20	969408	1	Six point socket scr		
21	20412359	1	O-ring		
22	24426064	1	Cover		
23	888289	2	Flange screw		
24	20859735	6	Clamp		
25	20405792	15	Flange screw		
26	20973764	1	Retaining plate		
27	20859779	1	Flange screw		
28		6	Oil jet	54158037	
29		6	Screw	54158037	
30	1161231	1	Sealant		
31	1161075	1	Locking fluid		



23646

TAD750GE, TAD751GE

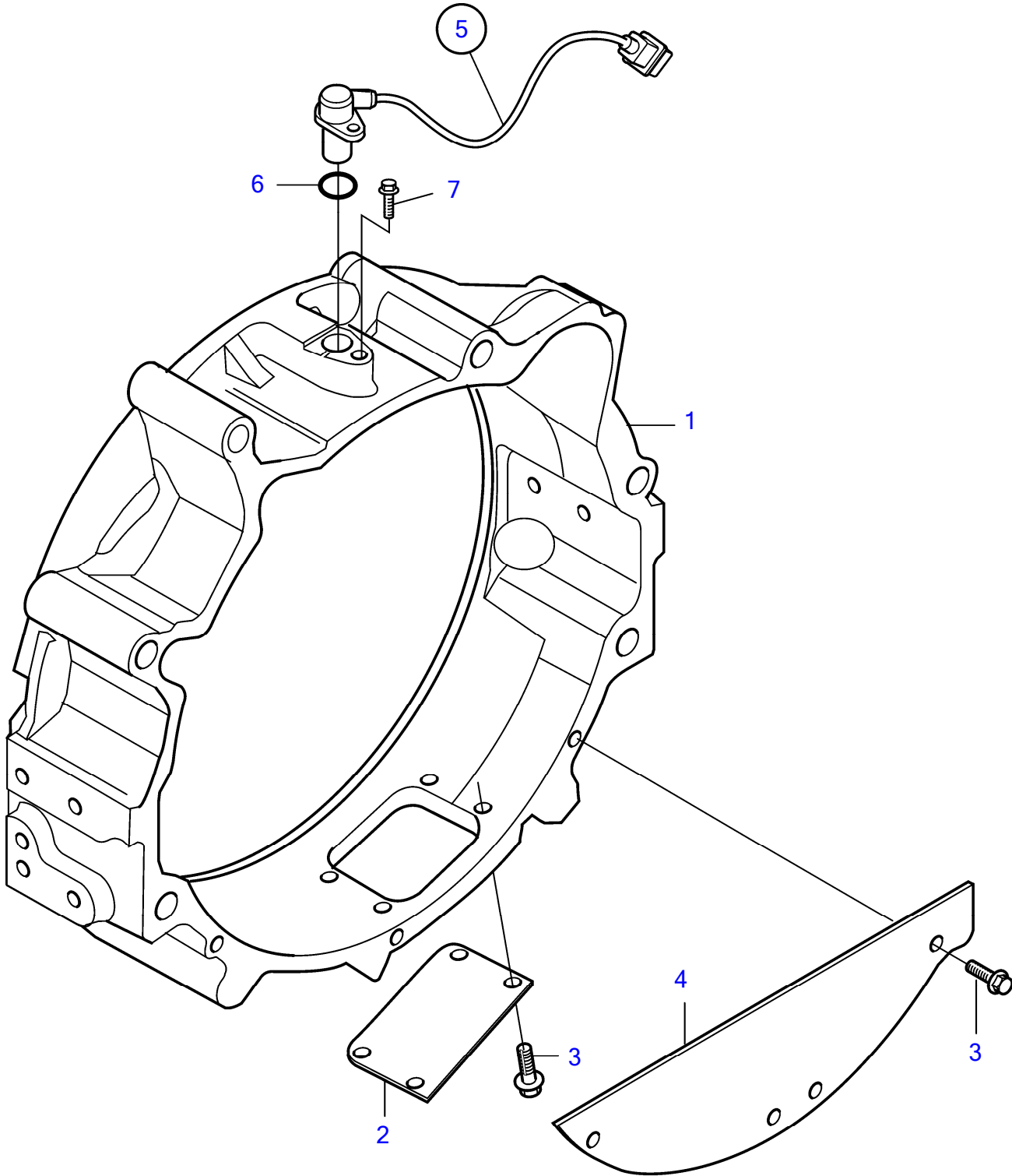


28996

TAD750GE, TAD751GE

REF	PART NO.	QTY	DESCRIPTION
1	21912256	1	Flywheel housing
2	20547288	1	• Cover plate
3	994442	7	• Flange screw
4	20459989	1	• Cover
5	21912303	1	Speed sensor
6	22938146	1	• O-ring
7	20450694	1	Hex. socket screw

TAD750GE, TAD751GE

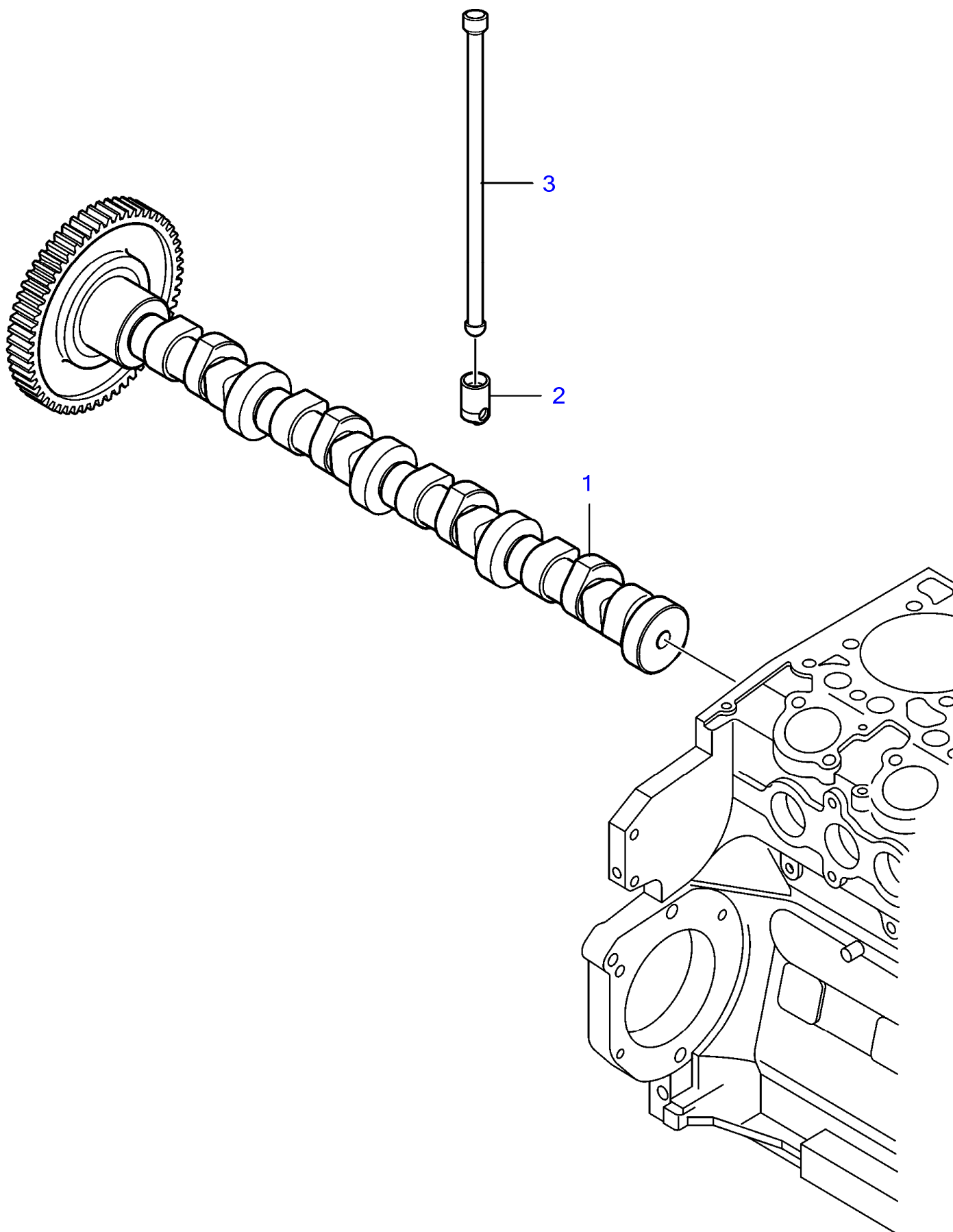


28997

TAD750GE, TAD751GE

REF	PART NO.	QTY	DESCRIPTION
1	21912255	1	Flywheel housing
2	20547288	1	• Cover plate
3	994442	7	• Flange screw
4	20459989	1	• Cover
5	21912303	1	Speed sensor
6	22938146	1	O-ring
7	20450694	1	Hex. socket screw

TAD752GE, TAD753GE, TAD754GE

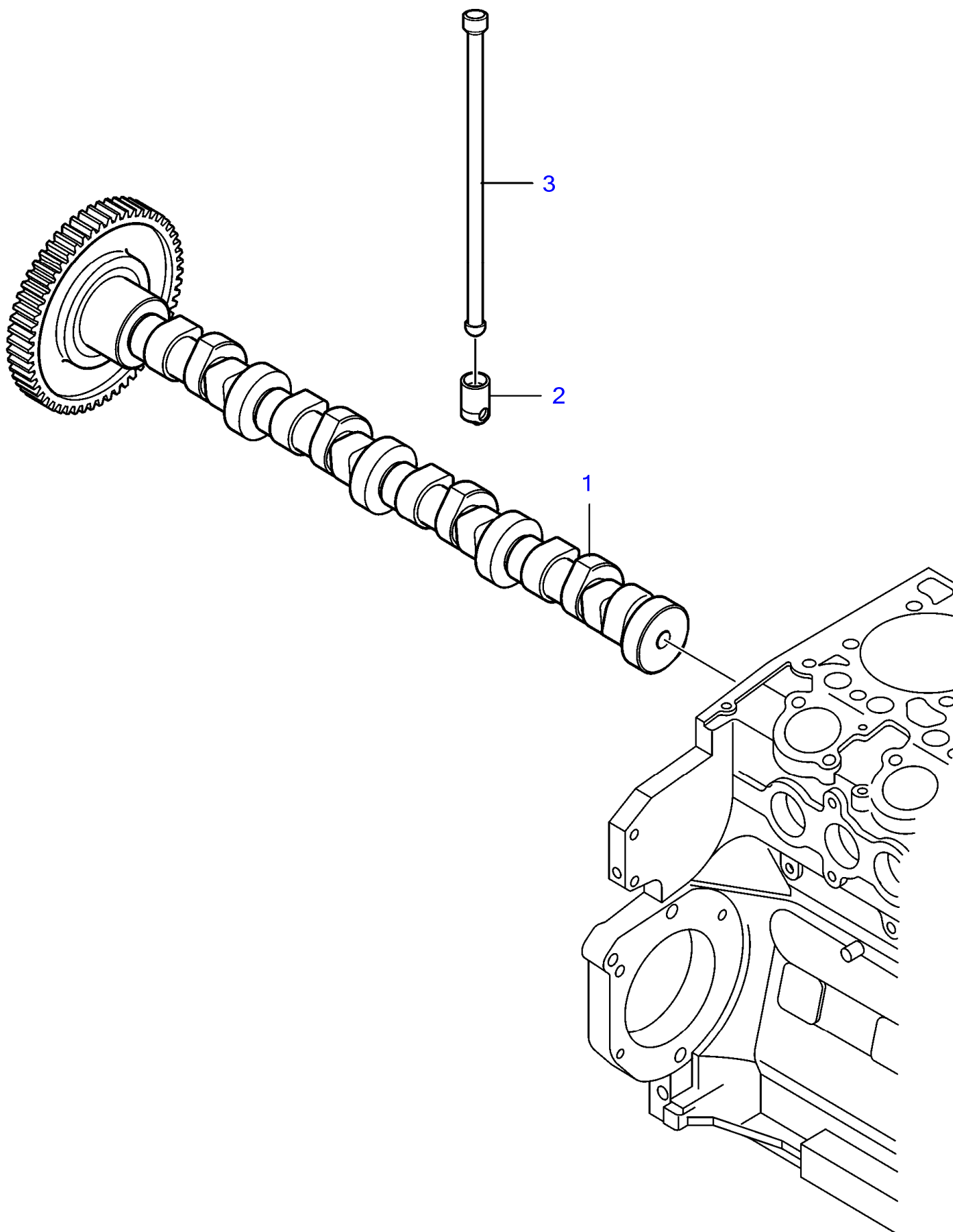


23650

TAD752GE, TAD753GE, TAD754GE

REF	PART NO.	QTY	DESCRIPTION	NOTES
1	21426367	1	Camshaft	SN10823656-10825167
	21451262	1	Camshaft	SN10825168-
2	21486078	12	Tappet	
3	21034347	12	Push rod	

TAD750GE, TAD751GE

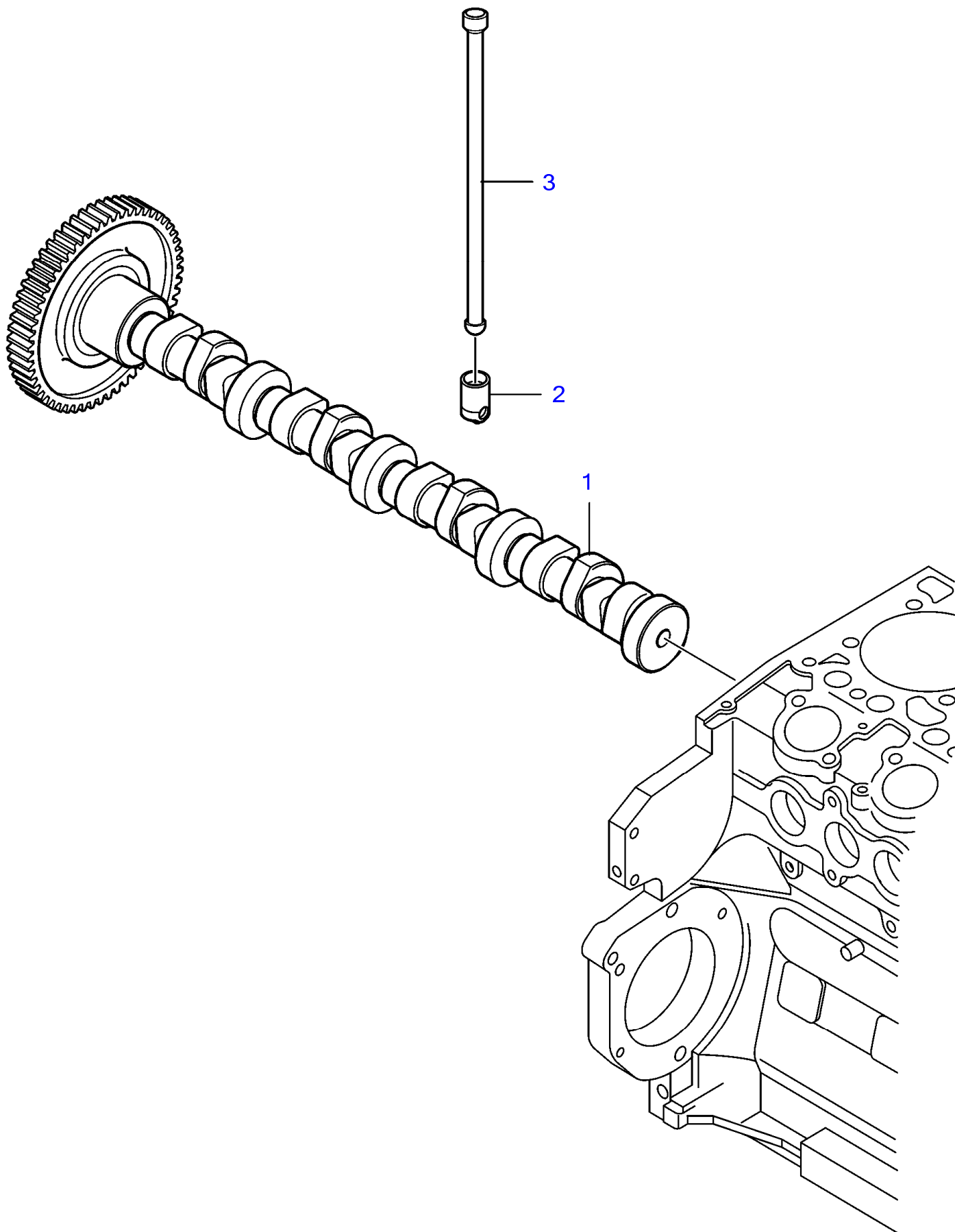


23650

TAD750GE, TAD751GE

REF	PART NO.	QTY	DESCRIPTION	NOTES
1	21272761	1	Camshaft	SN-11530696
	22414641	1	Camshaft	SN11530697-
2	20792475	12	Tappet	
3	21456429	12	Push rod	

TAD734GE

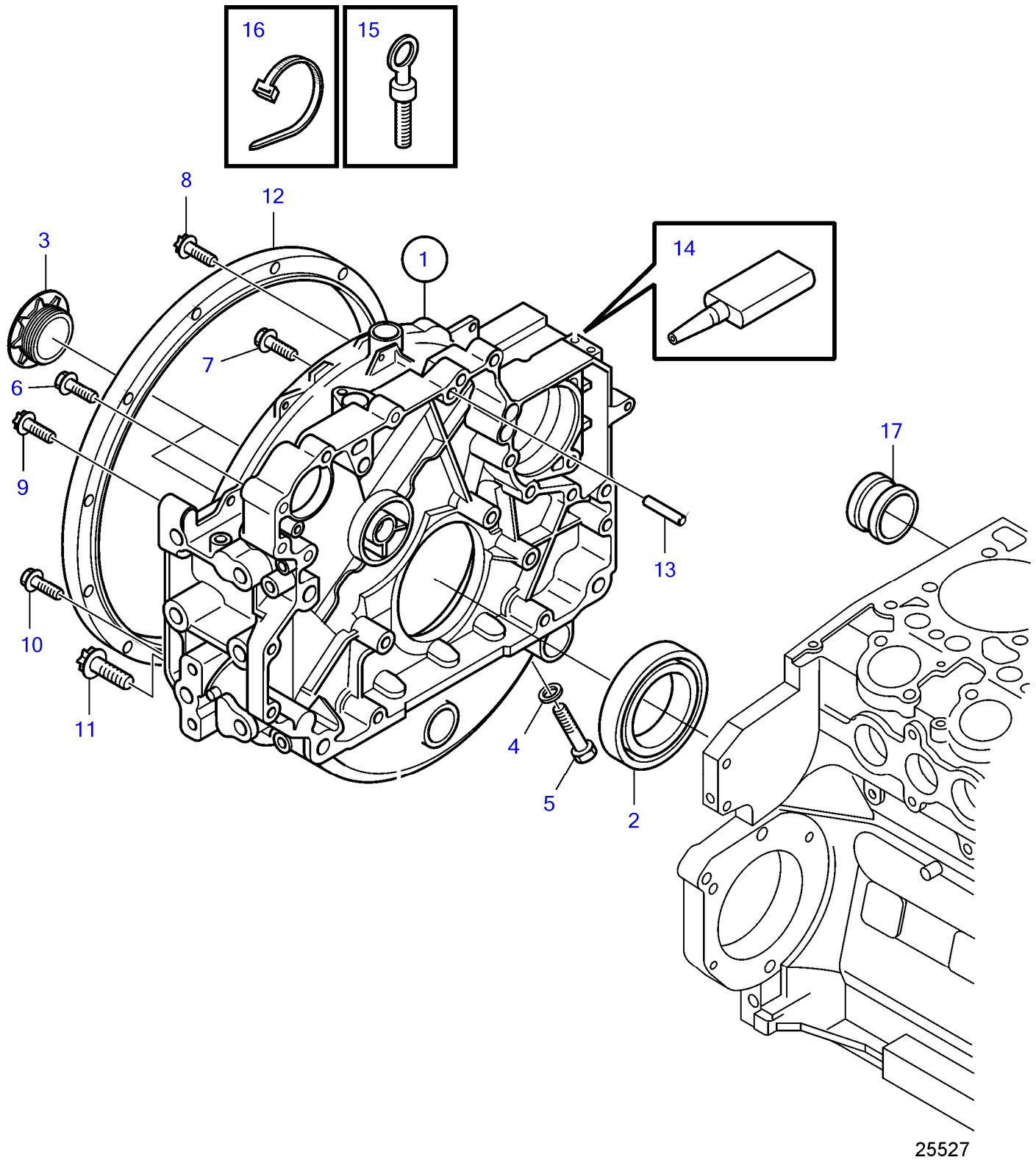


23650

TAD734GE

REF	PART NO.	QTY	DESCRIPTION	NOTES
1	20795692	1	Camshaft	SN-10744571
	21311517	1	Camshaft	SN10744572-10775264
	21341222	1	Camshaft	SN10775265-10823655
	21426367	1	Camshaft	SN10823656-10825167
	21451262	1	Camshaft	SN10825168-
2	20861879	12	Tappet	
3	21034347	12	Push rod	

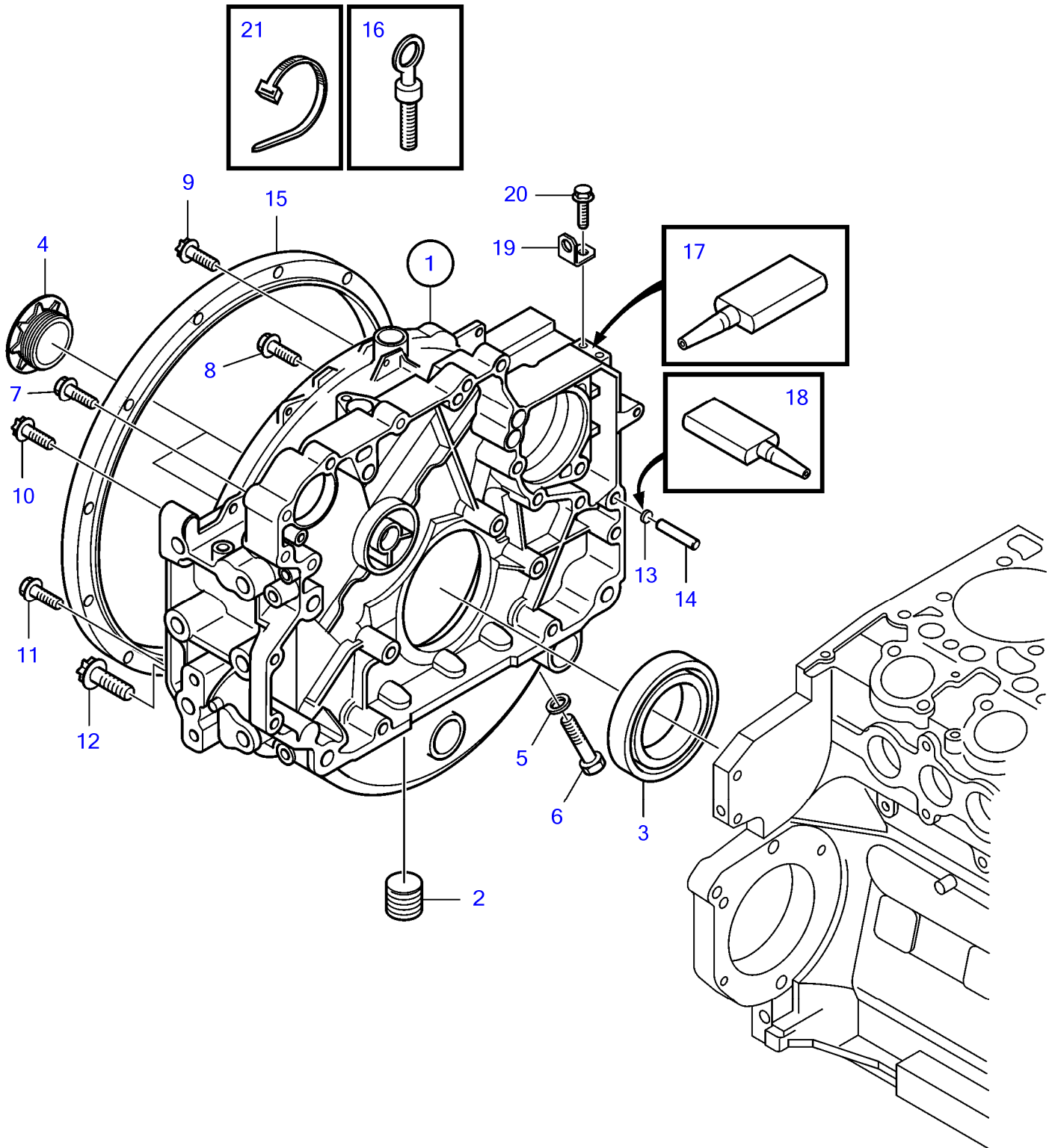
TAD752GE, TAD753GE, TAD754GE



TAD752GE, TAD753GE, TAD754GE

REF	PART NO.	QTY	DESCRIPTION	NOTES
1	21133296	1	Flywheel housing	SAE 2
2	21486084	1	Lip seal	
3	20800033	2	Sealing cover	
4	969011	1	Gasket	
5	20796850	1	Hexagon screw	
6	994386	12	Flange screw	L=55mm, Obsolete part
7	984738	6	Flange screw	L=40mm
8	20797198	1	Six point screw	L=100mm
9	20797195	1	Six point screw	L=180mm
10	20797255	1	Flange screw	L=160mm
11	20797188	4	Six point screw	L=90mm
12	21097527	1	Spacer ring	Replaced by 23001870
	23001870	1	Spacer ring	
13	20799558	1	Spring pin	
14	21076473	1	Sealant	
15		2	Lifting eye	
16	20792329	1	Retainer	
17	20794126	1	Bushing	

TAD734GE

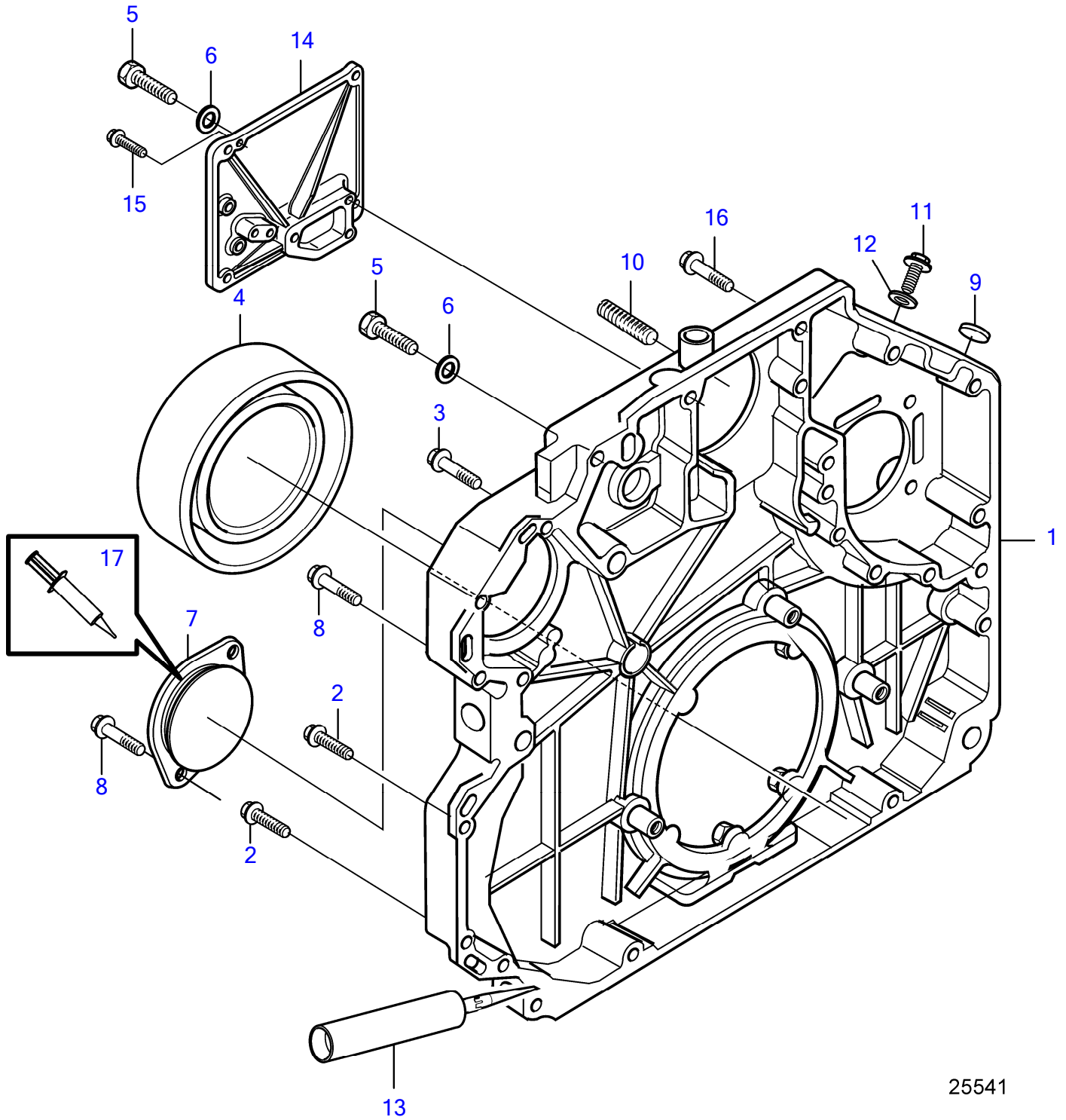


23648

TAD734GE

REF	PART NO.	QTY	DESCRIPTION	NOTES
1	20966170	1	Flywheel housing	SAE 2
2	(20405736)	3	• Thread insert	Obsolete part
3	20412286	1	Lip seal	SN-5310859068
	21486084	1	Lip seal	SN5310859069-
4	20800033	2	Sealing cover	
5	969011	1	Gasket	
6	20796850	1	Hexagon screw	
7	994386	12	Flange screw	L=55mm
8	984738	6	Flange screw	L=40mm
9	20797198	1	Six point screw	
10	20797195	1	Six point screw	
11	20797255	1	Flange screw	
12	20797188	4	Six point screw	
13	20951211	1	Cap plug	
14	20799558	1	Spring pin	
15	21033926	1	Spacer ring	SN-10634227, Replaced by 21097527
	21097527	1	Spacer ring	SN10634228-, Replaced by 23001870
	23001870	1	Spacer ring	
16		2	Lifting eye	
17	21076473	1	Sealant	
18	1161075	1	Locking fluid	
19	20799942	1	Bracket	
20	20405792	15	Flange screw	
21	20792329	1	Retainer	

TAD750GE, TAD751GE

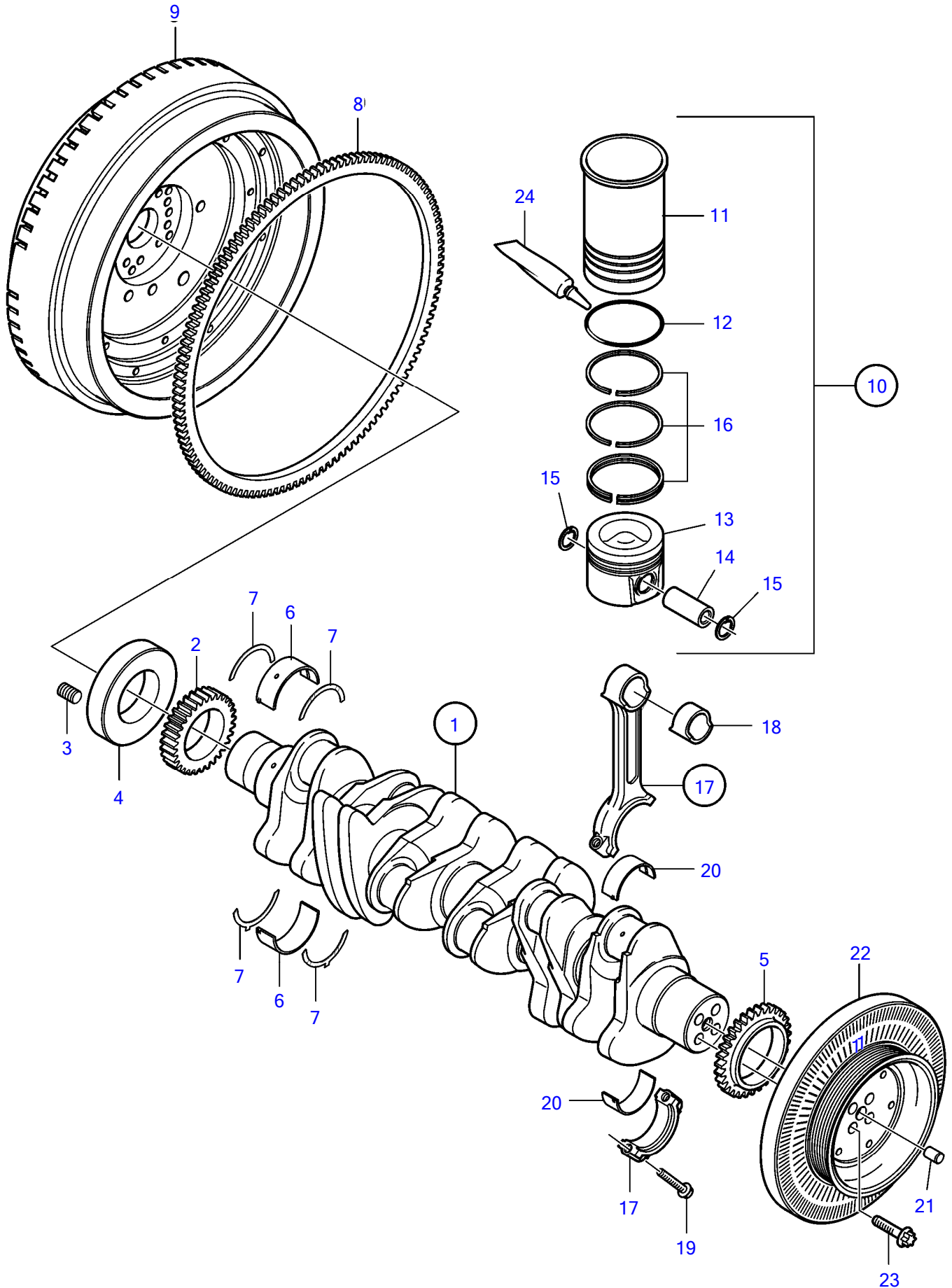


25541

TAD750GE, TAD751GE

REF	PART NO.	QTY	DESCRIPTION	NOTES
1	20972356	1	Timing gear casing	Replaced by 22039480
	22039480	1	Timing gear casing	Replaced by 22361416, SN-11728045
	22361416	1	Timing gear casing	SN11728046-
2	975199	12	Flange screw	
3	20450801	3	Flange screw	
4	21486084	1	Lip seal	
5	20405653	2	Screw	
6	976944	2	Washer	
7	20950063	1	Cover	Replaced by 22610639
	22610639	1	Cover	SN11830770-, Use Sealant 22618325
8	994386	7	Flange screw	Obsolete part
9	20405605	1	Cover	
10	20450795	1	Set screw	
11	960630	1	Plug	
12	969011	1	Gasket	
13	21076473	1	Sealant	
14	21665230	1	Bracket	SN-11380527
	22939587	1	Bracket	SN11380528-
15	20405723	3	Flange screw	
16	20450801	2	Flange screw	
17	22618325	1	Sealant	

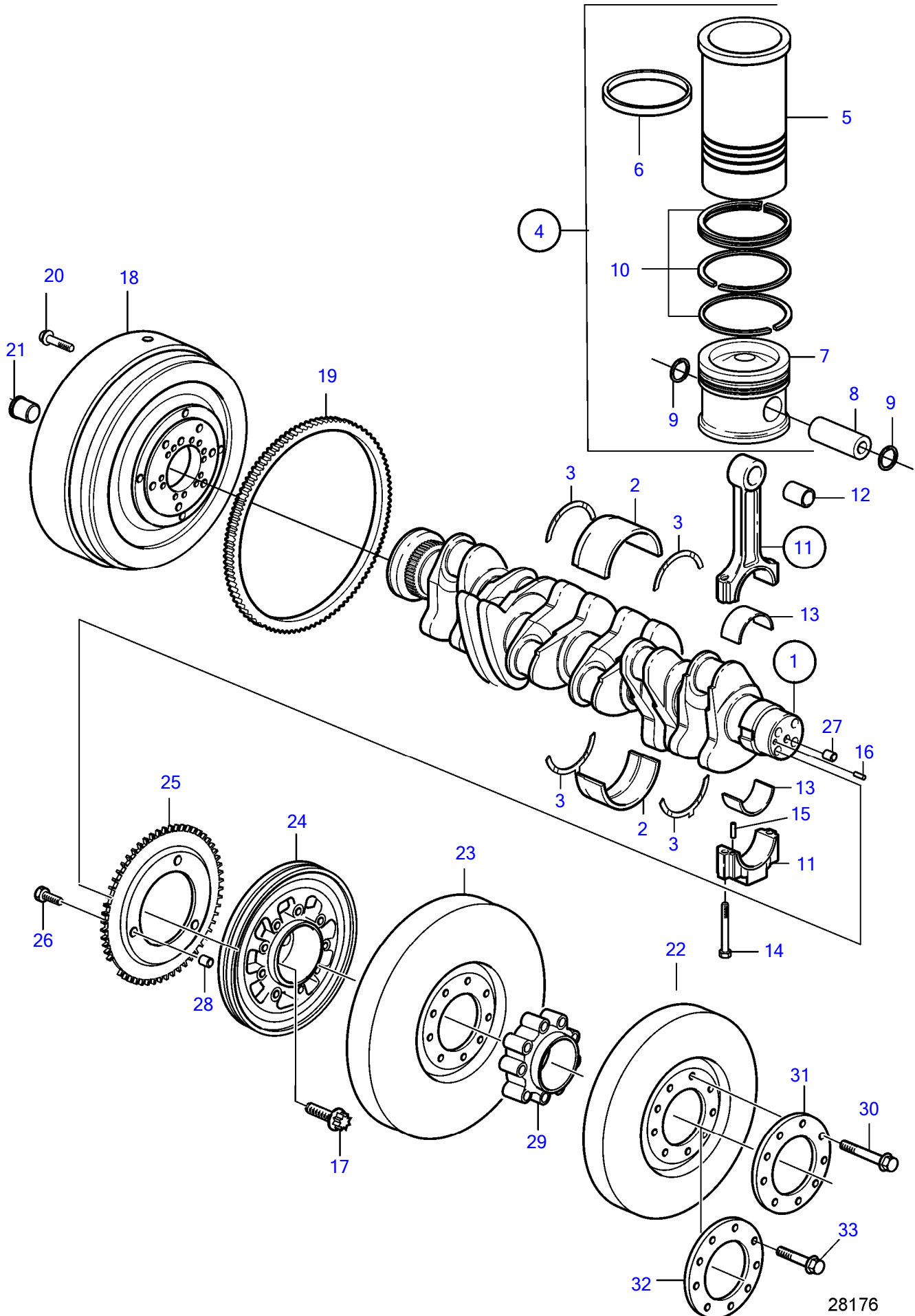
TAD752GE, TAD753GE, TAD754GE



TAD752GE, TAD753GE, TAD754GE

REF	PART NO.	QTY	DESCRIPTION	SEE SEC.	NOTES
1	21460971	1	Crankshaft		SN-10860899
	22306393	1	Crankshaft		SN10860900-
2	20898072	1	• Gear		
3	21510857	1	Insert		
4	21134592	1	• Flange		
5	20860794	1	• Gear		
6	20945114	7	Bearing		Std, D=85mm U.S=0.25mm U.S=0.50mm
7	21141955	2	Thrust washer		
8		1	Flywheel	54162498	
9		1	Gear ring	54162498	
10	21581975	6	Cylinder liner kit		
11		1	• Cylinder liner		
12	20412762	2	• O-ring		
13		1	• Piston		
14	20793388	1	• • Piston pin		
15	20805336	2	• • Clip		
16	20793531	1	• • Set		
17	20793636	6	Connecting rod		
18	20793665	1	• Bushing		
19	11700326	2	• Flange screw		
20	20793673	6	Bearing		Std, D=75mm U.S=0.25mm U.S=0.50mm
21	20405634	1	Spring pin		
22	21460389	1	Vibration damper		
23	21462640	4	Six point screw		
24	1161231	1	Sealant		

TAD750GE, TAD751GE

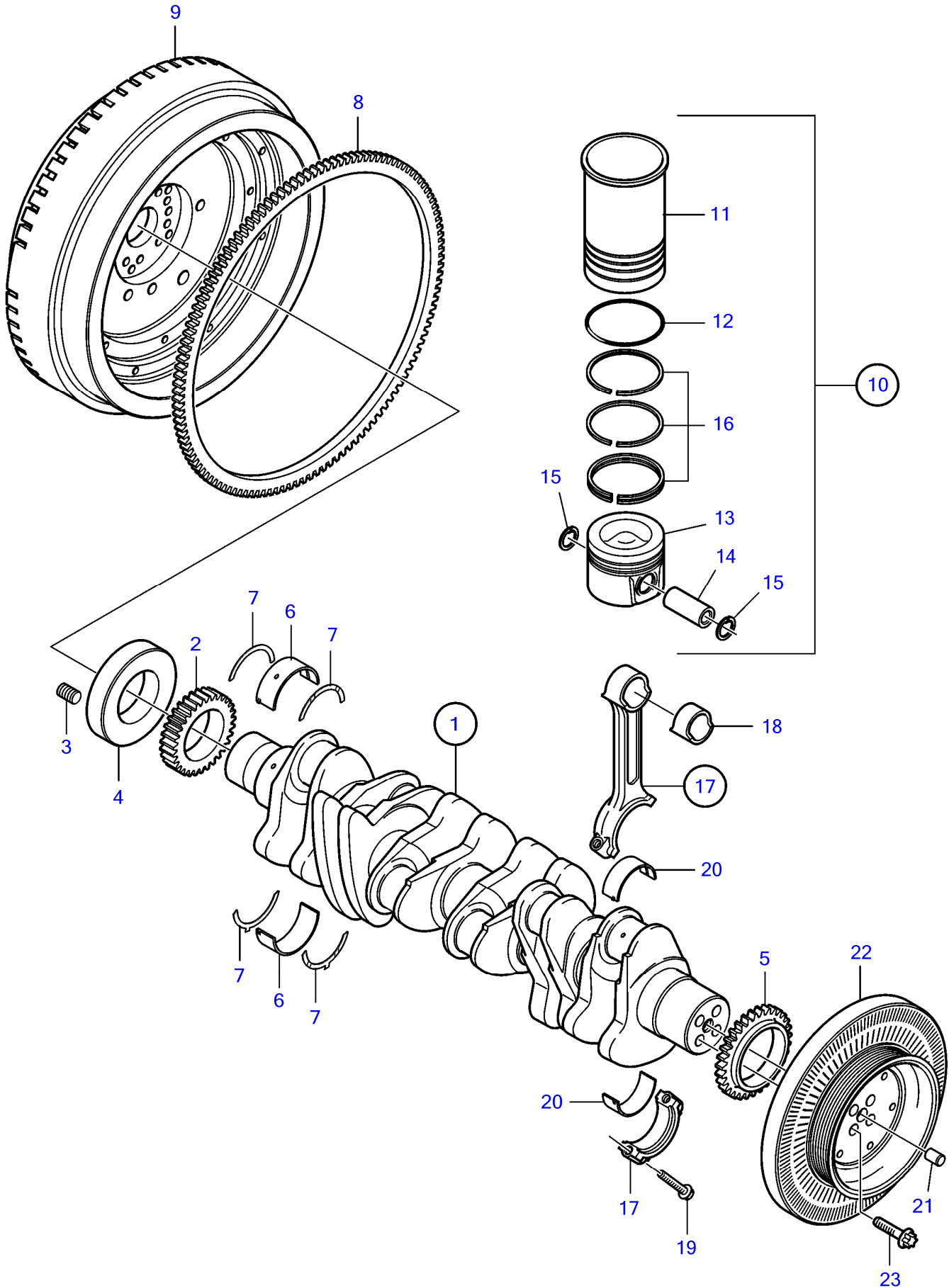


28176

TAD750GE, TAD751GE

REF	PART NO.	QTY	DESCRIPTION	NOTES
1	21245957	1	Crankshaft	
2	21141948	7	Main bearing	Std
	21234191	7	Main bearing	U.S=0,25mm
	20405541	7	Main bearing	U.S=0,50mm
3	21141955	1	Thrust washer	Std
	21141963	1	Thrust washer	O.S=0,20mm
4	20865990	1	Cylinder liner kit	
5		1	• Cylinder liner	
6	20412762	2	• O-ring	
7		1	• Piston	
8	20405577	1	• • Piston pin	
9	21119637	2	• • Stay	
10	21299547	1	• • Piston ring kit	
11	20585982	1	Connecting rod	
12	11700325	1	• Bushing	
13	20766790	1	• Bearing	Std
	20790423	1	• Big-end bearing kit	U.S=0,25mm
	20790428	1	• Big-end bearing kit	U.S=0,50mm
14	11700326	2	• Flange screw	
15	20459134	1	• Grooved pin	
16	20450628	1	Grooved pin	
17	20405724	4	Six point screw	
18	20459129	1	Flywheel	
19	21033328	1	• Starter gear ring	
20	20450835	10	Hexagon screw	
21	20405643	5	Expansion plug	
22	21083252	1	Vibration damper	Only in combination with 21165424
23	21165424	1	Vibration damper	Only in combination with 21083252
	21165421	1	Vibration damper	Two vibration dampers as option
24	21665261	1	Pulley	
25	20792423	1	Lock washer	
26	993357	3	Flange screw	
27	20405634	1	Spring pin	
28	20450838	1	Spring pin	
29	20460799	1	Spacer	
30	20460205	9	Hexagon screw	
31	20460800	1	Washer	
32	21022723	1	Flange plate	
33	995717	9	Flange screw	

TAD734GE

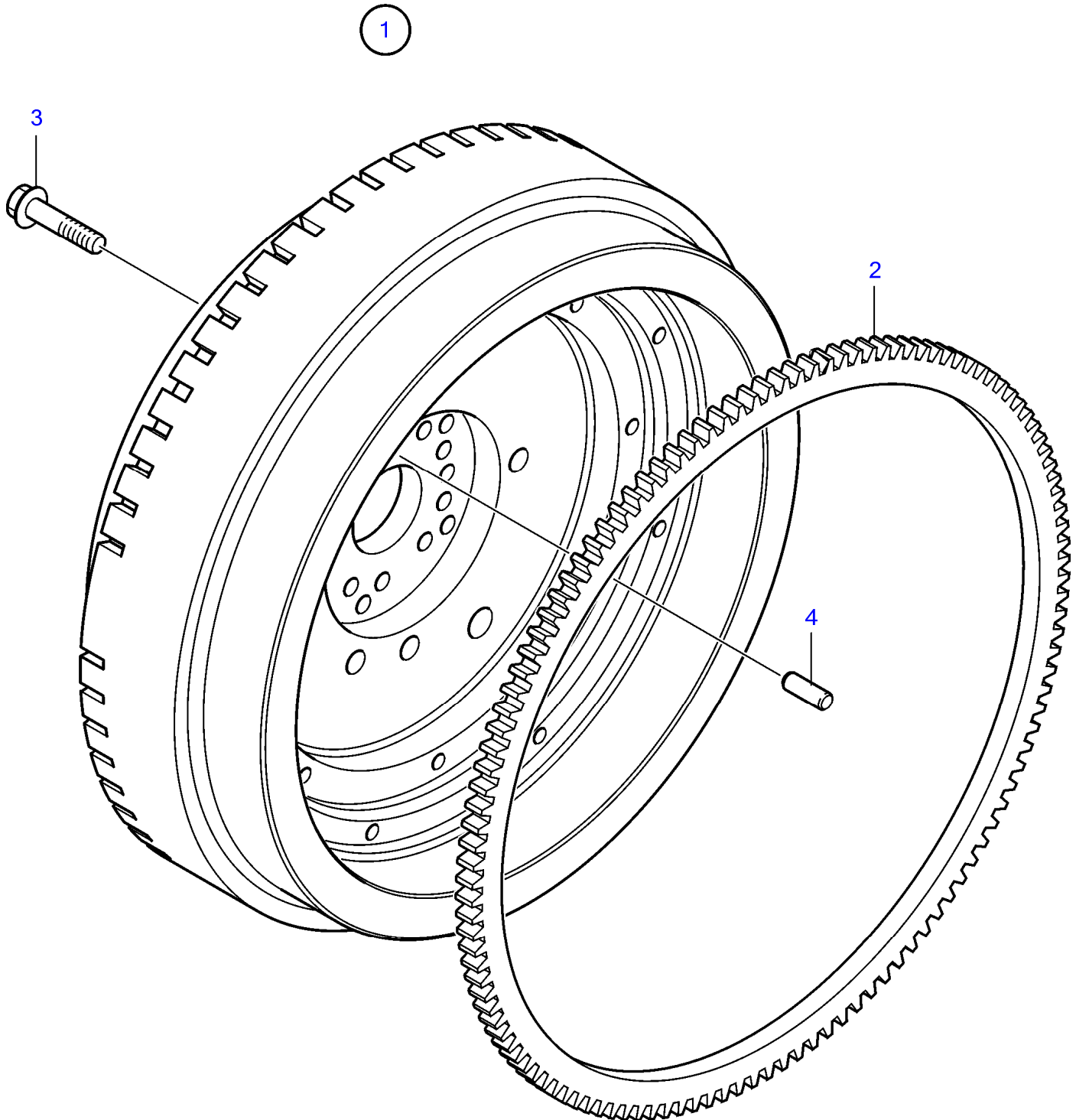


23651

TAD734GE

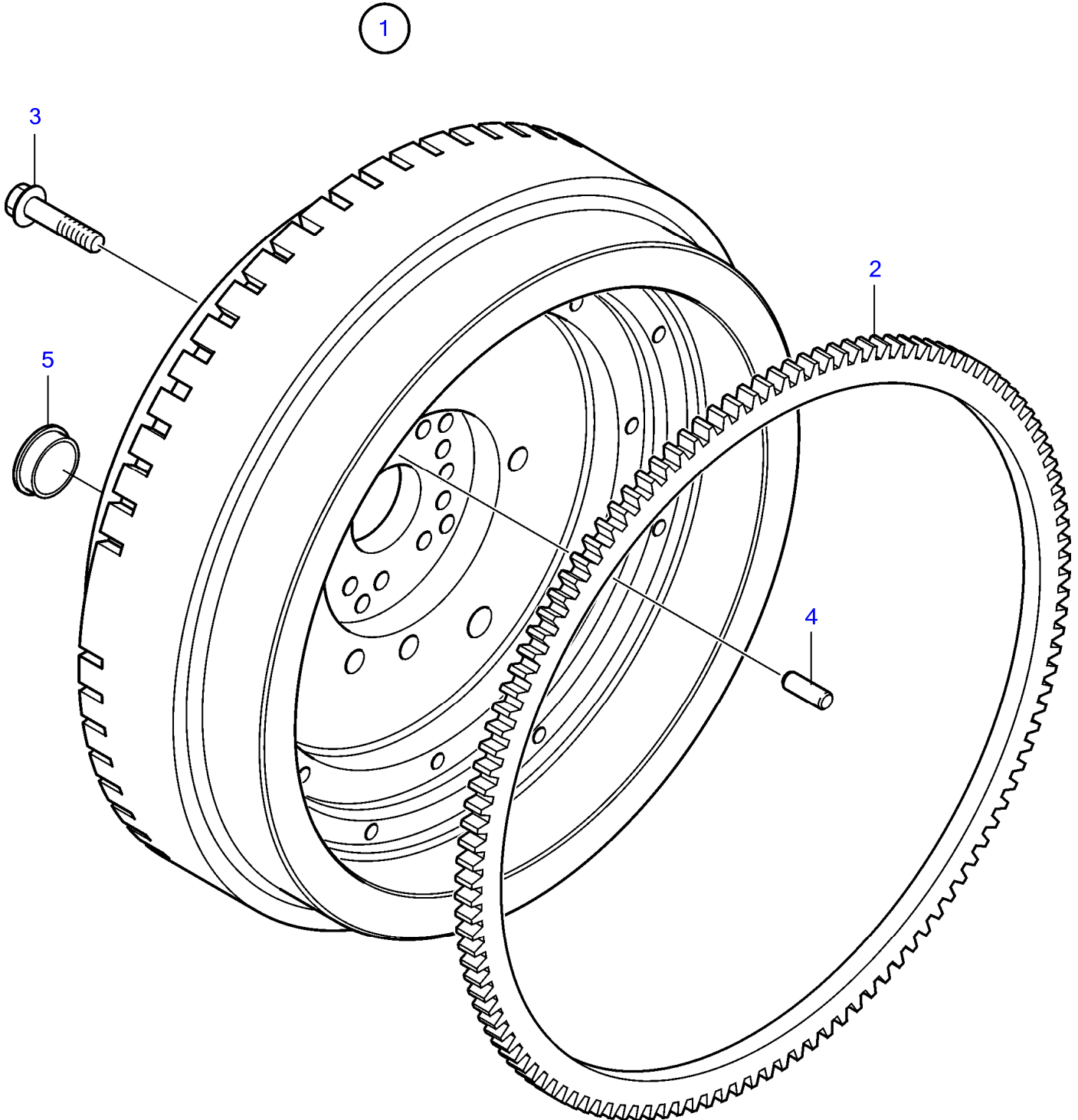
REF	PART NO.	QTY	DESCRIPTION	SEE SEC.	NOTES
1	20898081	1	Crankshaft		
	22923731	1	Crankshaft		SN-10860899
	21460971	1	Crankshaft		
	22306393	1	Crankshaft		SN10860900-
2	20898072	1	• Gear		
3	20459144	10	• Insert		SN-5310860899
	21510857	1	Insert		SN 5310860900-
4	(20777676)	1	• Flange		Obsolete part
5	20860794	1	• Gear		
6	21040125	7	Main bearing		Std, D=85mm
	21040133	7	Main bearing		U.S=0.25mm
	21040144	7	Main bearing		U.S=0.50mm
7	20405899	2	Thrust washer kit		
8		1	Gear ring	54158028	
9		1	Flywheel	54158028	
10	21040718	6	Cylinder liner kit		Replaced by 21581975
	21581975	6	Cylinder liner kit		
11		1	• Cylinder liner		
12	20412762	2	• O-ring		
13		1	• Piston		
14	20793388	1	• • Piston pin		
15	20805336	2	• • Clip		
16	20793531	1	• • Set		
17	20793636	6	Connecting rod		SN-10564690
	21191452	6	Connecting rod		SN10564691-
18	20793665	1	• Bushing		
19	11700326	2	• Flange screw		
20	21034608	6	Bearing		Std, D=75mm
	21040150	6	Big-end bearing shel		U.S=0.25mm
	21040151	6	Big-end bearing shel		U.S=0.50mm
21	20405634	1	Spring pin		
22	20795858	1	Vibration damper		SN-5310860899
	21460389	1	Vibration damper		SN 5310860900-
23	20405724	4	Six point screw		SN-5310860899
	21462640	4	Six point screw		SN 5310860900-

TAD752GE, TAD753GE, TAD754GE



26746

TAD750GE, TAD751GE

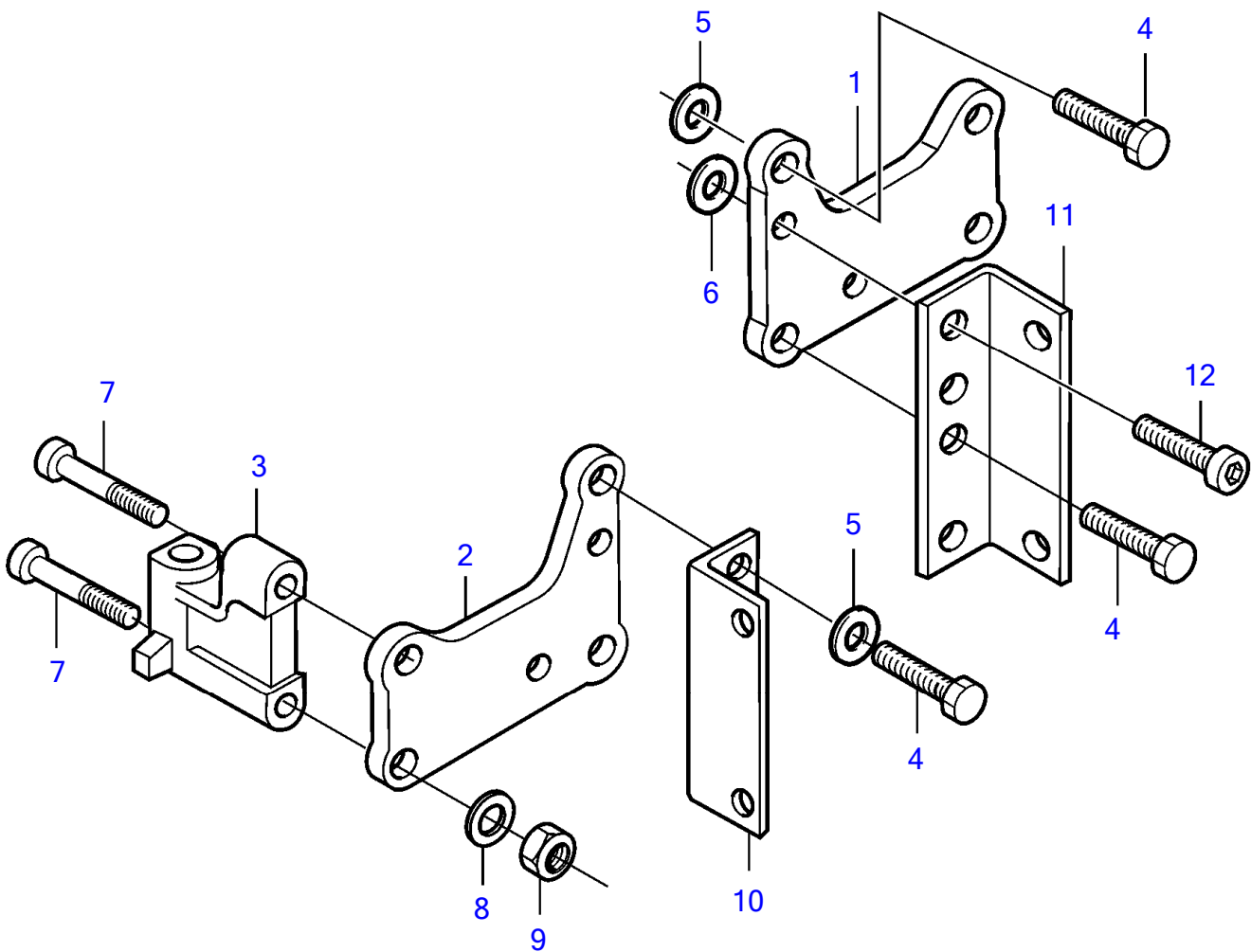


26744

TAD750GE, TAD751GE

REF	PART NO.	QTY	DESCRIPTION	NOTES
1	21912065	1	Flywheel	Std, J=2,4kgm ²
	21912063	1	Flywheel	Option, J=1,2kgm ²
2	21033328	1	• Starter gear ring	
3	20405654	10	Hexagon screw	
4	20799584	1	Spring pin	
5	21013085	5	Expansion plug	

TAD750GE, TAD751GE, TAD752GE, TAD753GE, TAD754GE

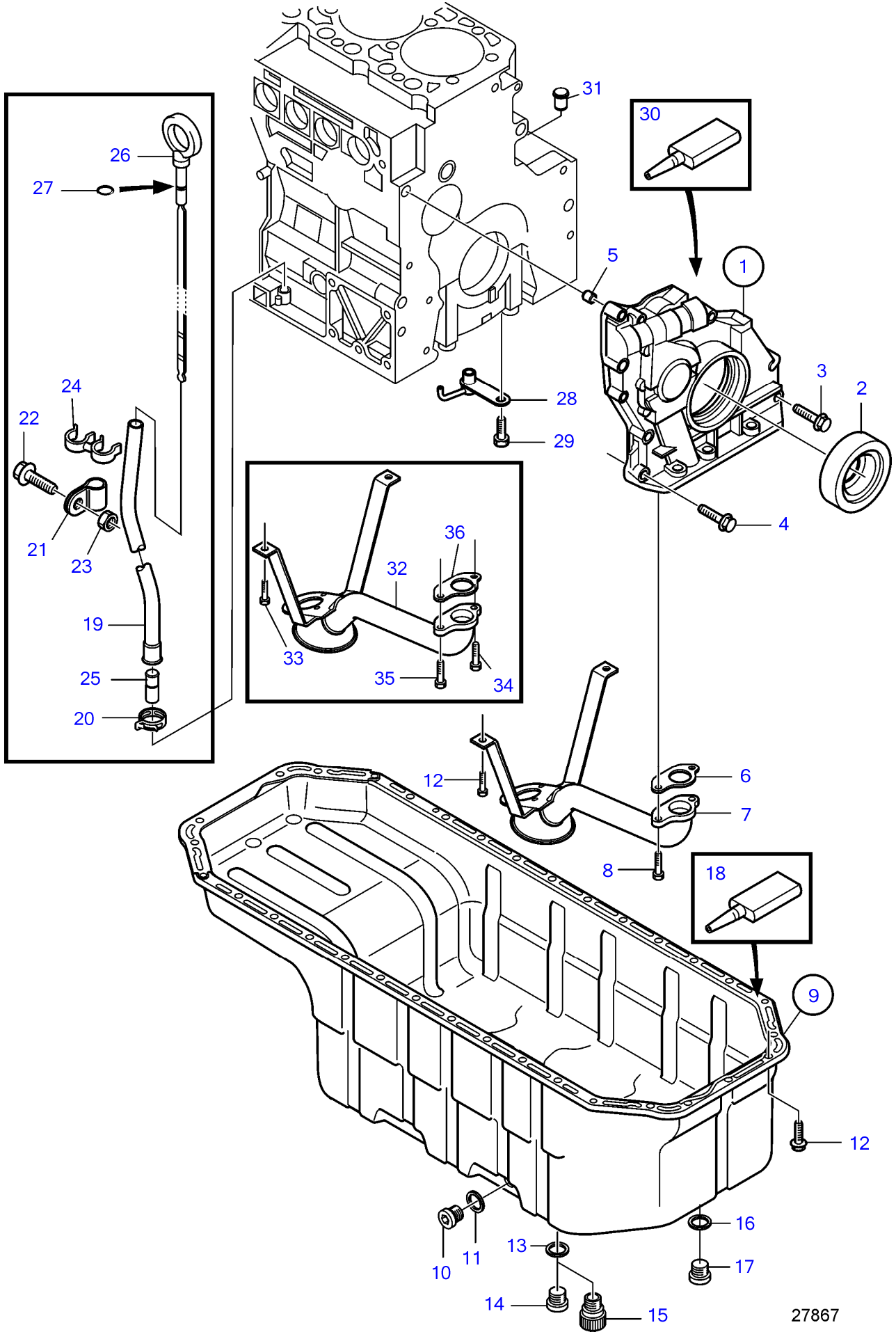


28065

TAD750GE, TAD751GE, TAD752GE, TAD753GE, TAD754GE

REF	PART NO.	QTY	DESCRIPTION	NOTES
1	20723978	1	Bracket, front	Left
2	20723984	1	Bracket, front	Right
3	20405727	4	Engine mounting	
4	21686481	4	Six point screw	
5	20405606	4	Washer	
6	20460868	2	Washer	
7	20702909	8	Cross recessed screw	L=60mm
8	20460868	4	Washer	
9	20542497	4	Hexagon nut	
10	21156345	1	Bracket	
11	21156350	1	Bracket	
12	20555061	2	Hex. socket screw	L=40mm

TAD752GE, TAD753GE, TAD754GE

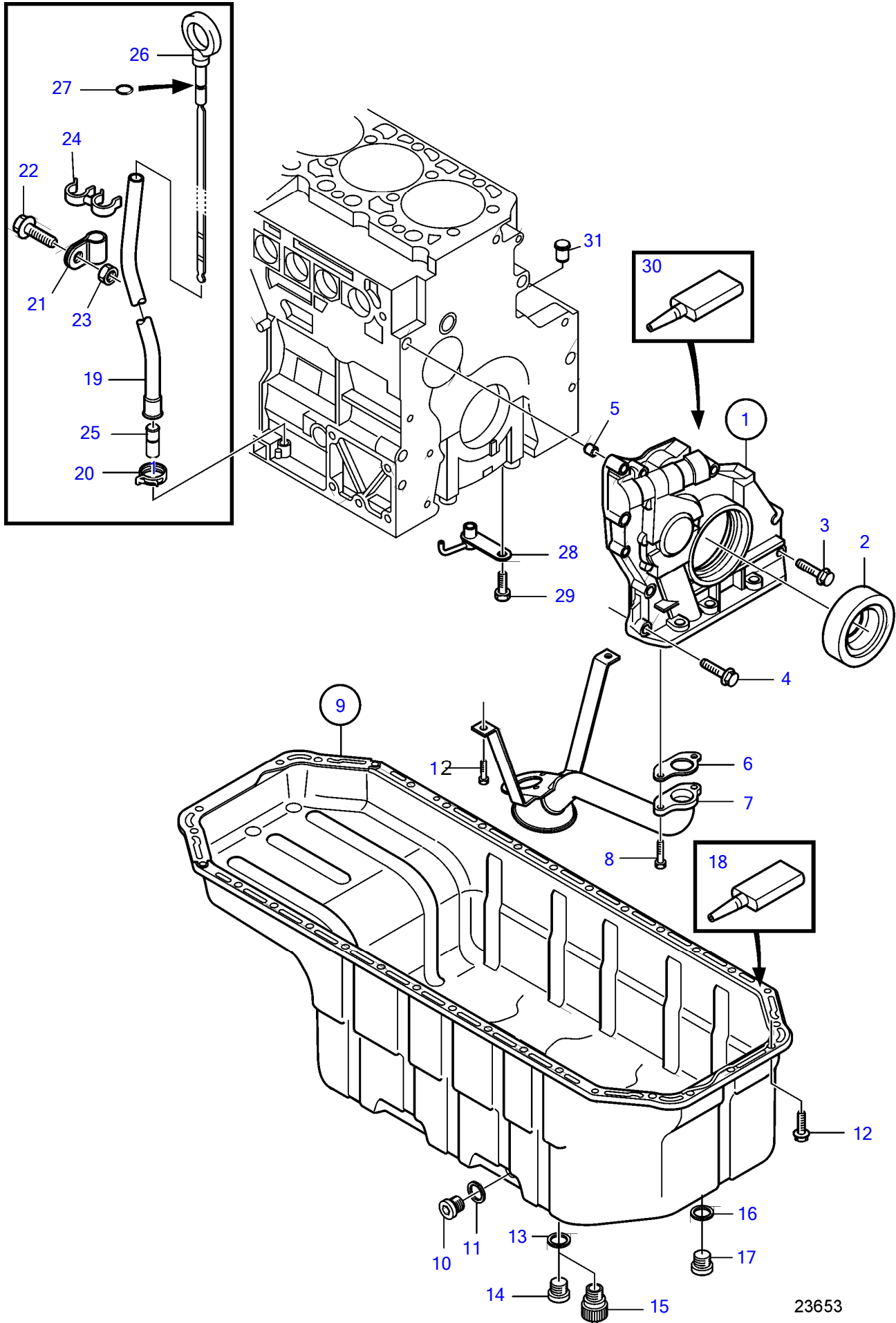


27867

TAD752GE, TAD753GE, TAD754GE

REF	PART NO.	QTY	DESCRIPTION	NOTES
1	21486014	1	Oil pump housing	
2	21486081	1	• Lip seal	
3	20797270	3	Flange screw	
4	975199	8	Flange screw	
5	20405603	1	Spring pin	
6	20779655	1	Plane gasket	SN-11181213
7	21034764	1	Oil strainer	SN-11181213
8	20512299	2	Flange screw	SN-11181213
9	21248622	1	Oil pan	SN-11181213
	22118924	1	Oil pan	SN11181214-
10	20460024	2	Plug	
11	993680	2	Gasket	
12	984733	36	Flange screw	SN-11181213
13	11998	1	Gasket	
14	20405506	1	Plug	
15	20450851	1	Drain valve	SN-11902426
	22879098	1	Drain valve	SN11902427-
16	949329	1	Gasket	
17	21094611	1	Plug	
18	21076467	1	Sealant	
19	20791373	1	Guide tube	
20	20799673	1	Hose clamp	
21	21088531	1	Attaching clamp	
22	967949	1	Flange screw	
23	955781	1	Hexagon nut	
24	21004700	1	Bracket	
25	21728014	1	Guide tube	Replaced by 22291827
	22291827	1	Guide tube	
26	21080179	1	Dipstick	
27	20460218	1	O-ring	
28	21034765	6	Piston cooling jet	
	21664398	6	Nozzle	TAD754GE
29	975199	6	Flange screw	
30	21076473	1	Sealant	
31	21349017	1	Plug	
32	21664641	1	Pipe	SN11181214-
33	946440	2	Flange screw	SN11181214-
34	994441	1	Flange screw	SN11181214-
35	945444	1	Flange screw	SN11181214-
36	20779655	1	Plane gasket	SN11181214-

TAD734GE

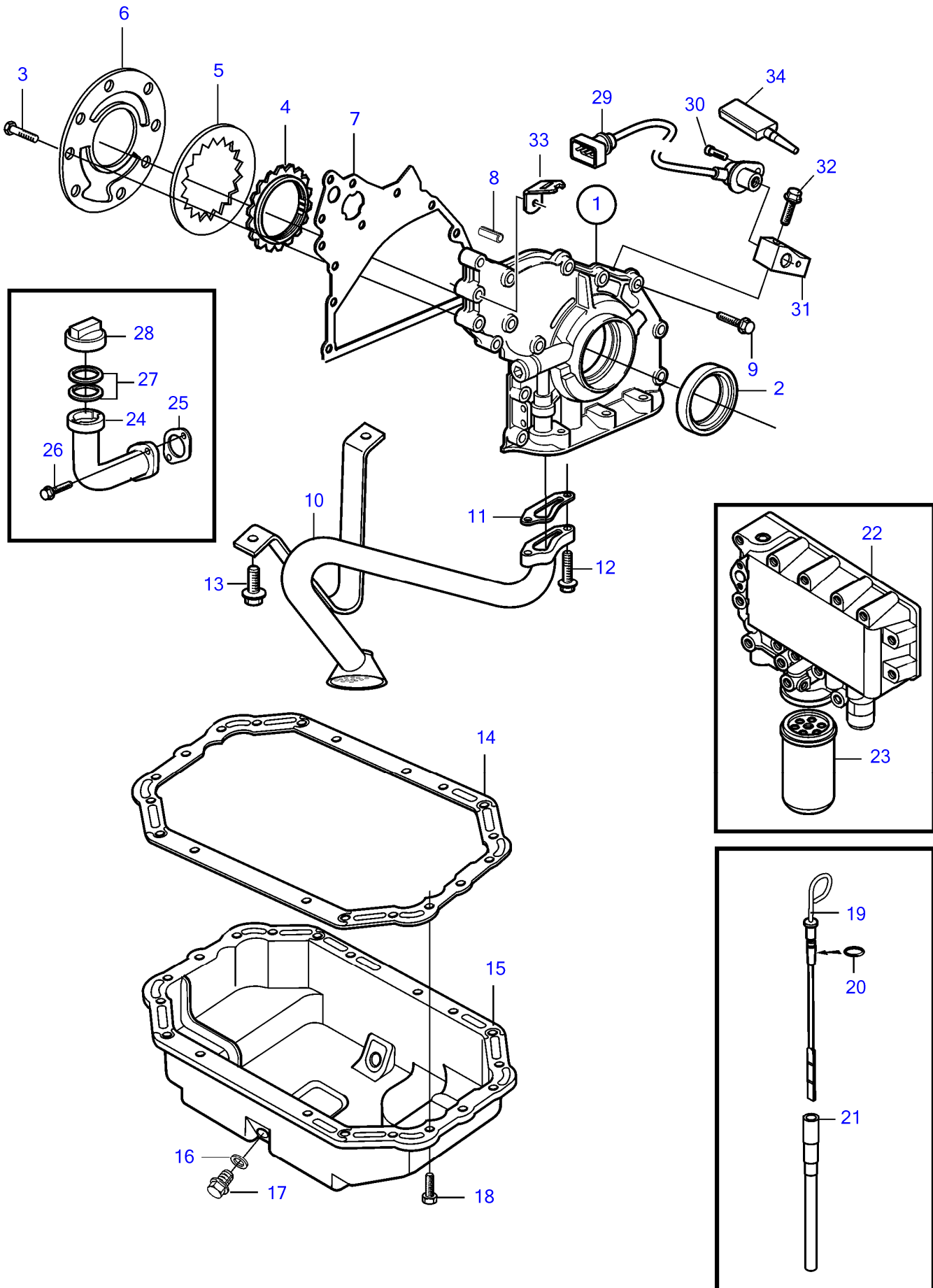


23653

TAD734GE

REF	PART NO.	QTY	DESCRIPTION	NOTES
1	21009246	1	Oil pump housing	SN-5310859068
	21486014	1	Oil pump housing	SN5310859069-
2	20412568	1	• Lip seal	SN-5310859068
	21486081	1	• Lip seal	SN5310859069-
3	20797270	3	Flange screw	
4	20412324	8	Flange screw	
5	20405603	1	Spring pin	
6	20779655	1	Plane gasket	
7	21034764	1	Oil strainer	
8	984735	2	Flange screw	
9	20820918	1	Oil pan	Replaced by 21248622.
	21248622	1	Oil pan	SN-11181213
	22118924	1	Oil pan	SN11181214-
10	20460024	2	Plug	
11	20460026	2	Sealing ring	
12	20405792	34	Flange screw	
13	11998	1	Gasket	
14	20405506	1	Plug	
15	20450851	1	Drain valve	SN-11902426
	22879098	1	Drain valve	SN11902427-
16	949329	1	Gasket	
17	21094611	1	Plug	
18	21076467	1	Sealant	
19	20791373	1	Guide tube	
20	20799624	1	Hose clamp	
21	20459181	1	Clamp	
22	20459227	1	Hexagon screw	
23	955781	1	Hexagon nut	
24	21004700	1	Bracket	
25	21728014	1	Guide tube	Replaced by 22291827
	22291827	1	Guide tube	
26	21080179	1	Dipstick	
27	20460218	1	O-ring	
28	21034765	6	Piston cooling jet	
29	20412324	6	Flange screw	
30	21076473	1	Sealant	
31	21349017	1	Plug	

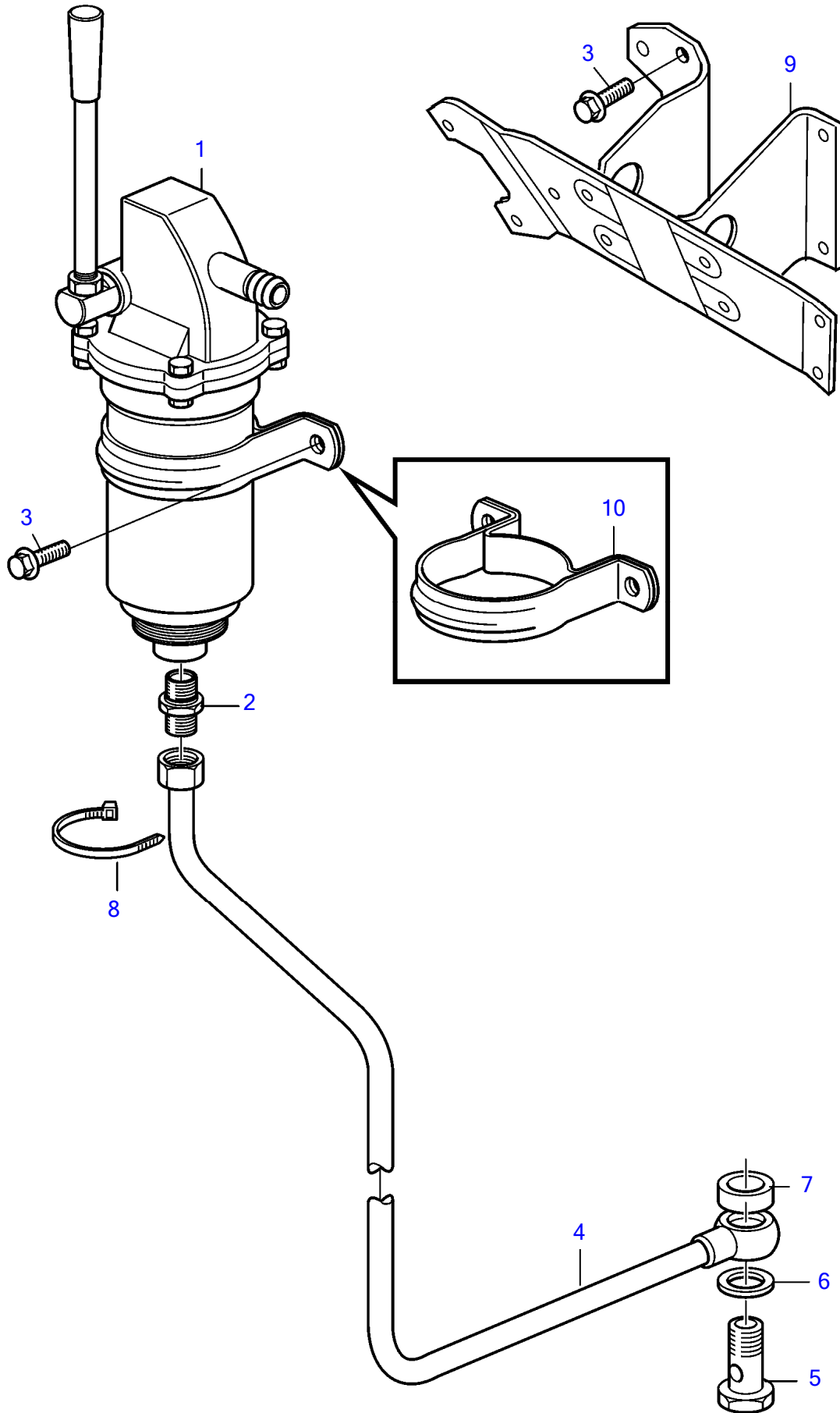
TAD750GE, TAD751GE



TAD750GE, TAD751GE

REF	PART NO.	QTY	DESCRIPTION	NOTES
1	21600207	1	Oil pump housing	SN-5312098134
	23171016	1	Front cover	SN5312098135-
2	21486081	1	Lip seal	
3	20451738	1	Hex. socket sunk scr	
4		1	Pump unit, inner	
5		1	Pump unit, outer	
6		1	Cover plate	
7	20742661	1	Gasket	
8	20405603	1	Spring pin	
9	975199	14	Flange screw	
10	20450884	1	Suction pipe	
11	20405888	1	Gasket	
12	20512299	2	Flange screw	
13	984733	2	Flange screw	
14	20405915	1	Gasket	
15	20412345	1	Oil pan	Std
16	993679	2	Gasket	
17	20405506	2	Plug	
18	984733	34	Flange screw	
19	21665768	1	Dipstick	
20	20412343	1	Sealing ring	
21	20405644	1	Guide tube	
23	21640514	1	Oil filter	
24	20412347	1	Oil filler pipe	
25	20405825	1	Gasket	
26	984734	2	Flange screw	
27	20460209	1	Repair kit	
28	20405835	1	Filler cap	
29	20450707	1	Sensor	
30	20450694	1	Hex. socket screw	
31	20700252	1	Vibration damper	
32	20799862	2	Flange screw	
33	20450997	2	Bracket	
34	983472	2	Cable tie	

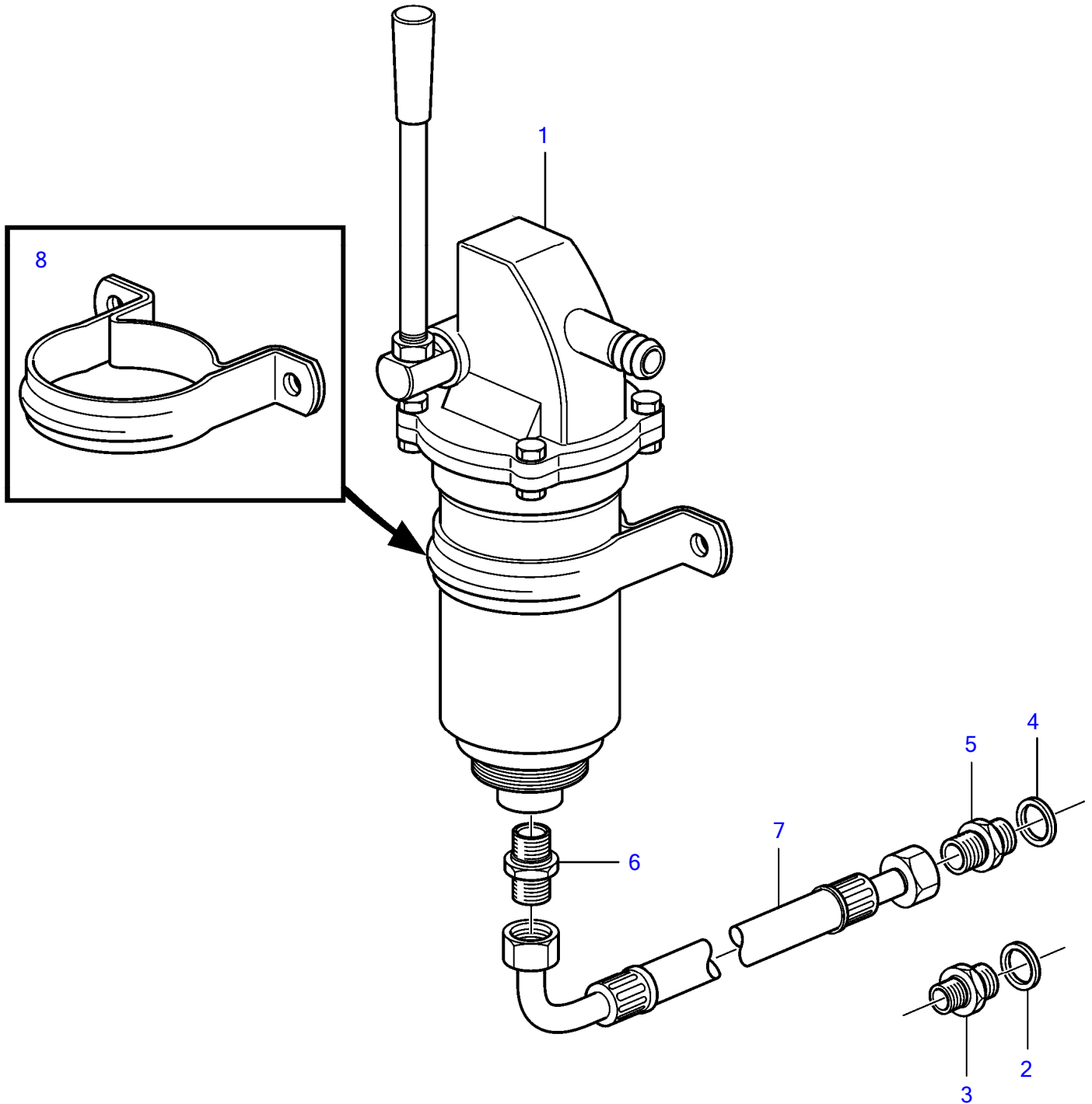
TAD752GE, TAD753GE, TAD754GE



TAD752GE, TAD753GE, TAD754GE

REF	PART NO.	QTY	DESCRIPTION
1	3827475	1	Oil drain pump
2	20551704	1	Nipple
3	975197	4	Flange screw
4	22474977	1	Hose
5	20801089	1	Hollow screw
6	993679	1	Gasket
7	20801234	1	Spacer
8	20513984	1	Cable tie
9	22474975	1	Bracket
10	3838616	1	Attaching clamp

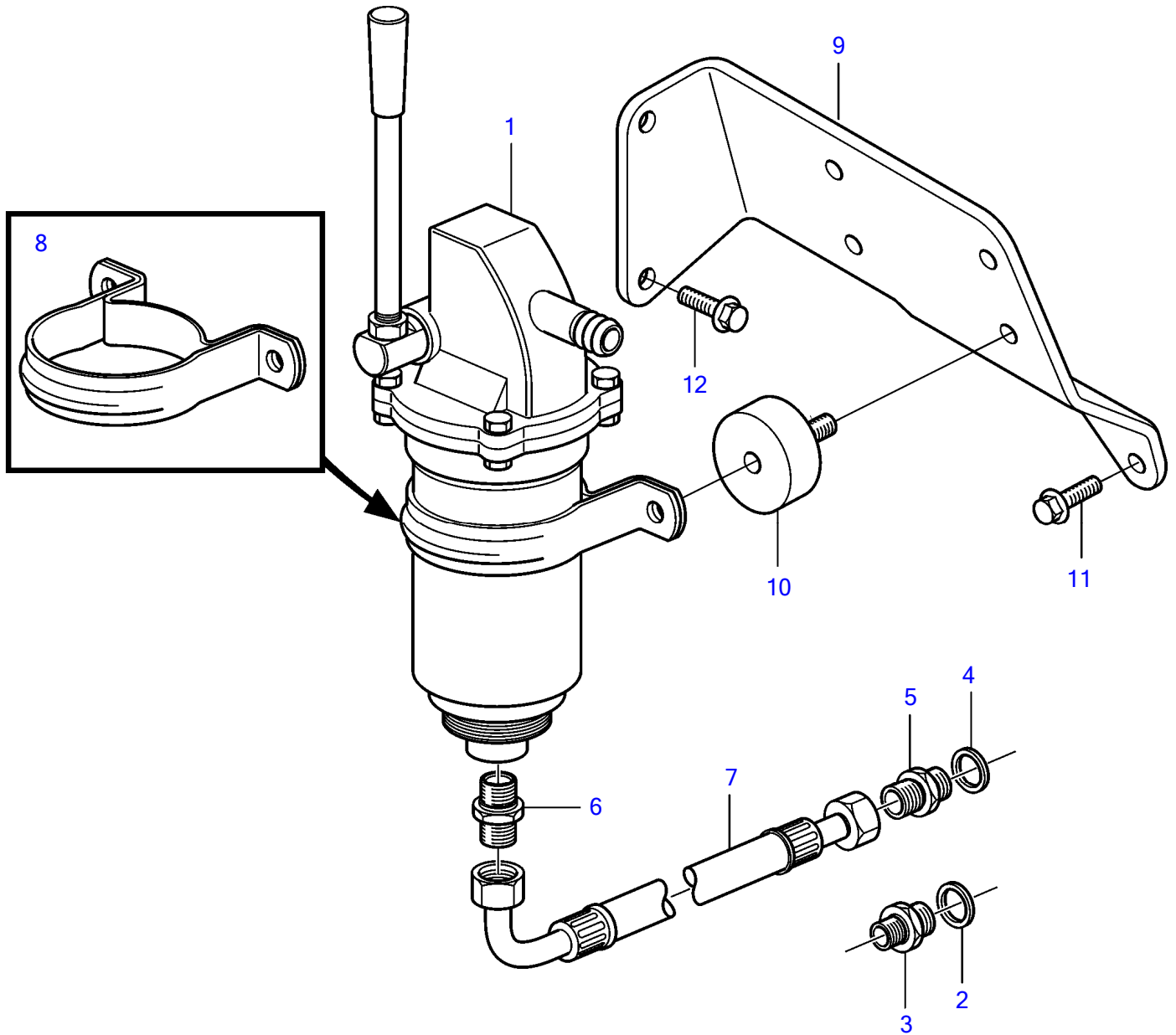
TAD750GE, TAD751GE, TAD752GE



23654

TAD750GE, TAD751GE, TAD752GE

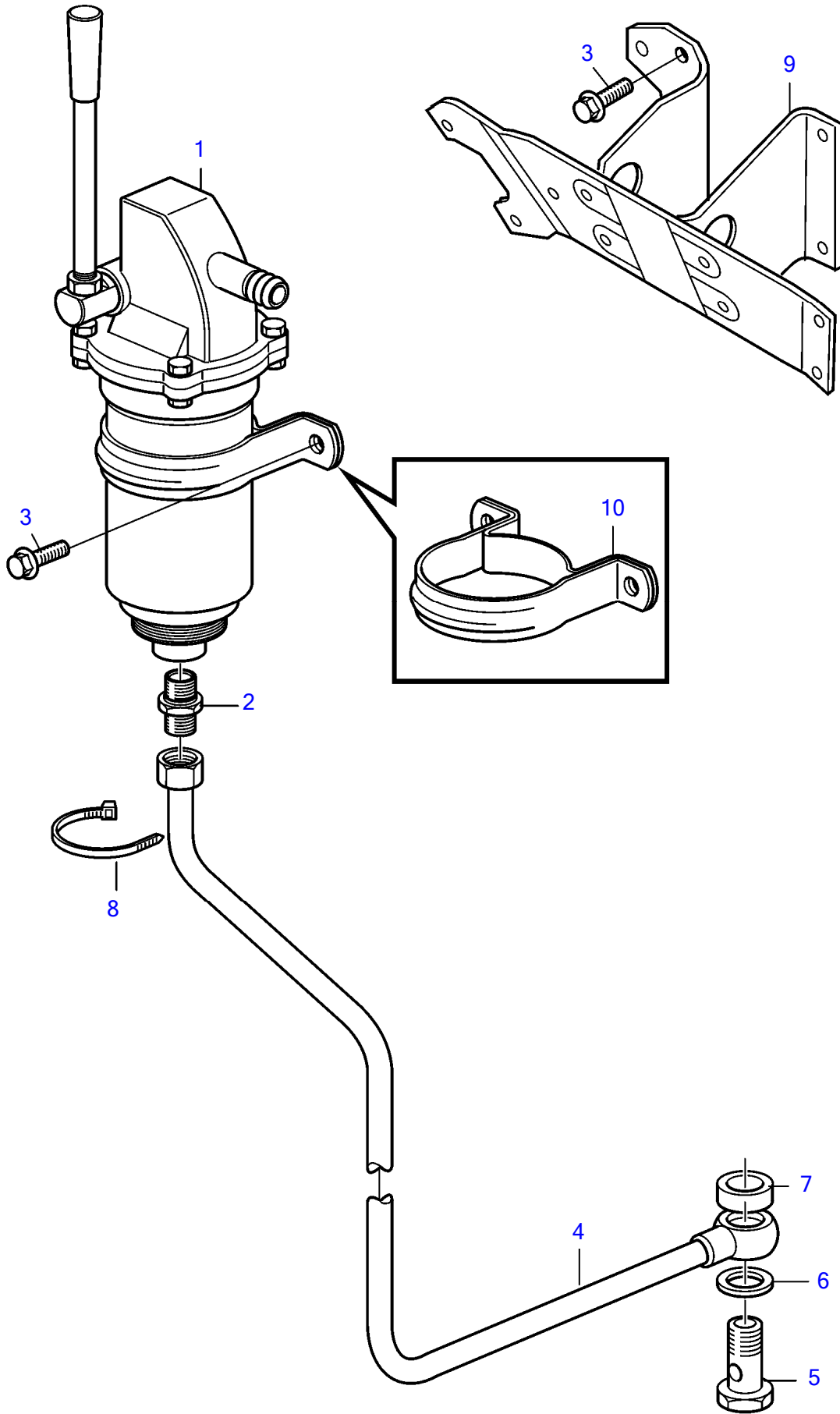
REF	PART NO.	QTY	DESCRIPTION
1	3827475	1	Oil drain pump
2	993680	1	Gasket
3	20963126	1	Adapter
4	11998	1	Gasket
5	20542739	1	Nipple
6	20551704	1	Nipple
7	20551139	1	Hose assembly
8	3838616	1	Attaching clamp



TAD734GE

REF	PART NO.	QTY	DESCRIPTION
1	3827475	1	Oil drain pump
2	993680	1	Gasket
3	20963126	1	Adapter
4	11998	1	Gasket
5	20542739	1	Nipple
6	20551704	1	Nipple
7	21598354	1	Hose assembly
8	3838616	1	Attaching clamp
9	21598351	1	Bracket
10	20405949	4	Vibration damper
11	975197	2	Flange screw
12	984733	1	Flange screw

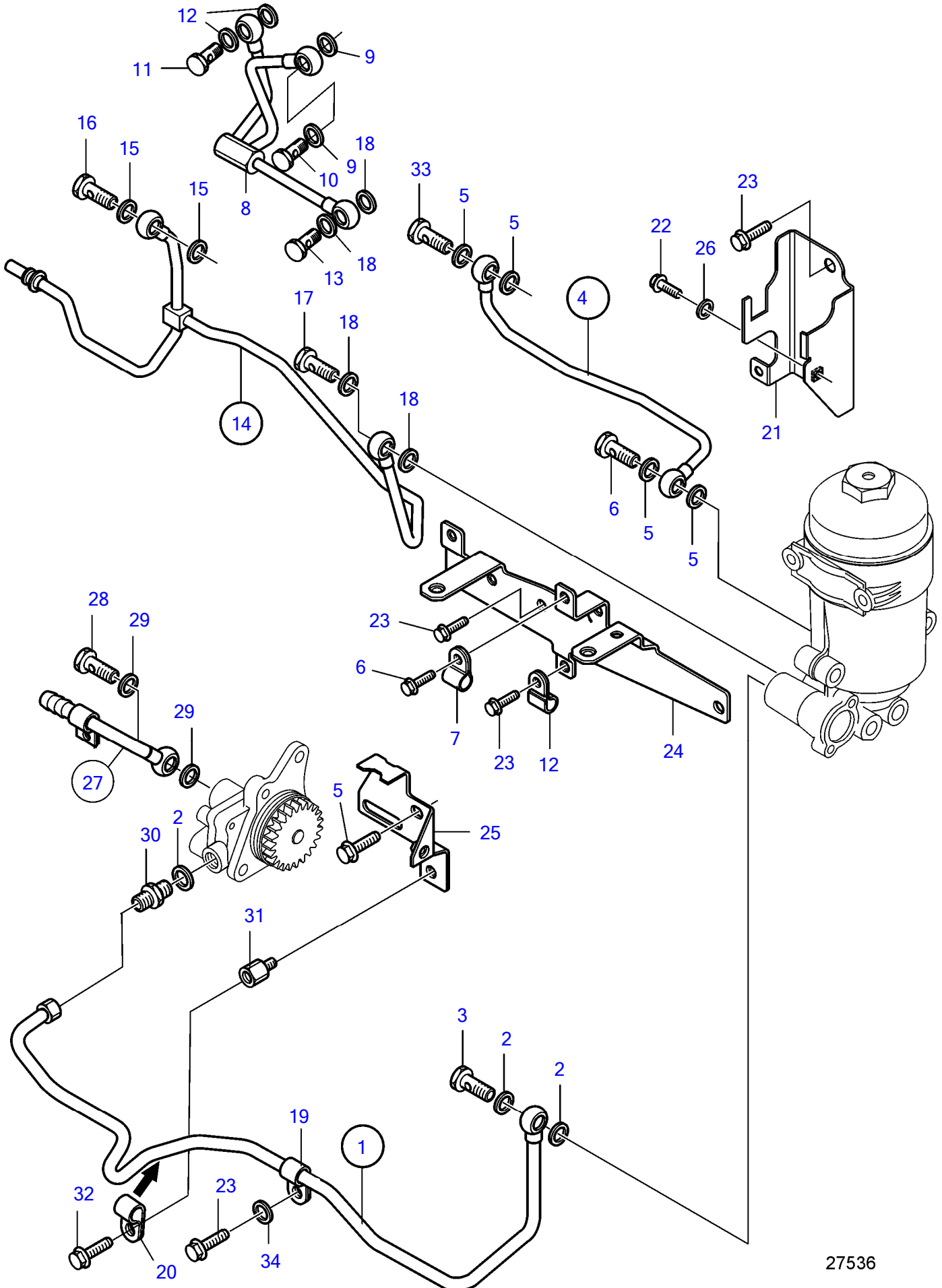
TAD734GE



TAD734GE

REF	PART NO.	QTY	DESCRIPTION
1	3827475	1	Oil drain pump
2	20551704	1	Nipple
3	975197	4	Flange screw
4	22474977	1	Hose
5	20801089	1	Hollow screw
6	993679	1	Gasket
7	20801234	1	Spacer
8	20513984	1	Cable tie
9	22474975	1	Bracket
10	3838616	1	Attaching clamp

TAD750GE, TAD751GE, TAD752GE, TAD753GE, TAD754GE

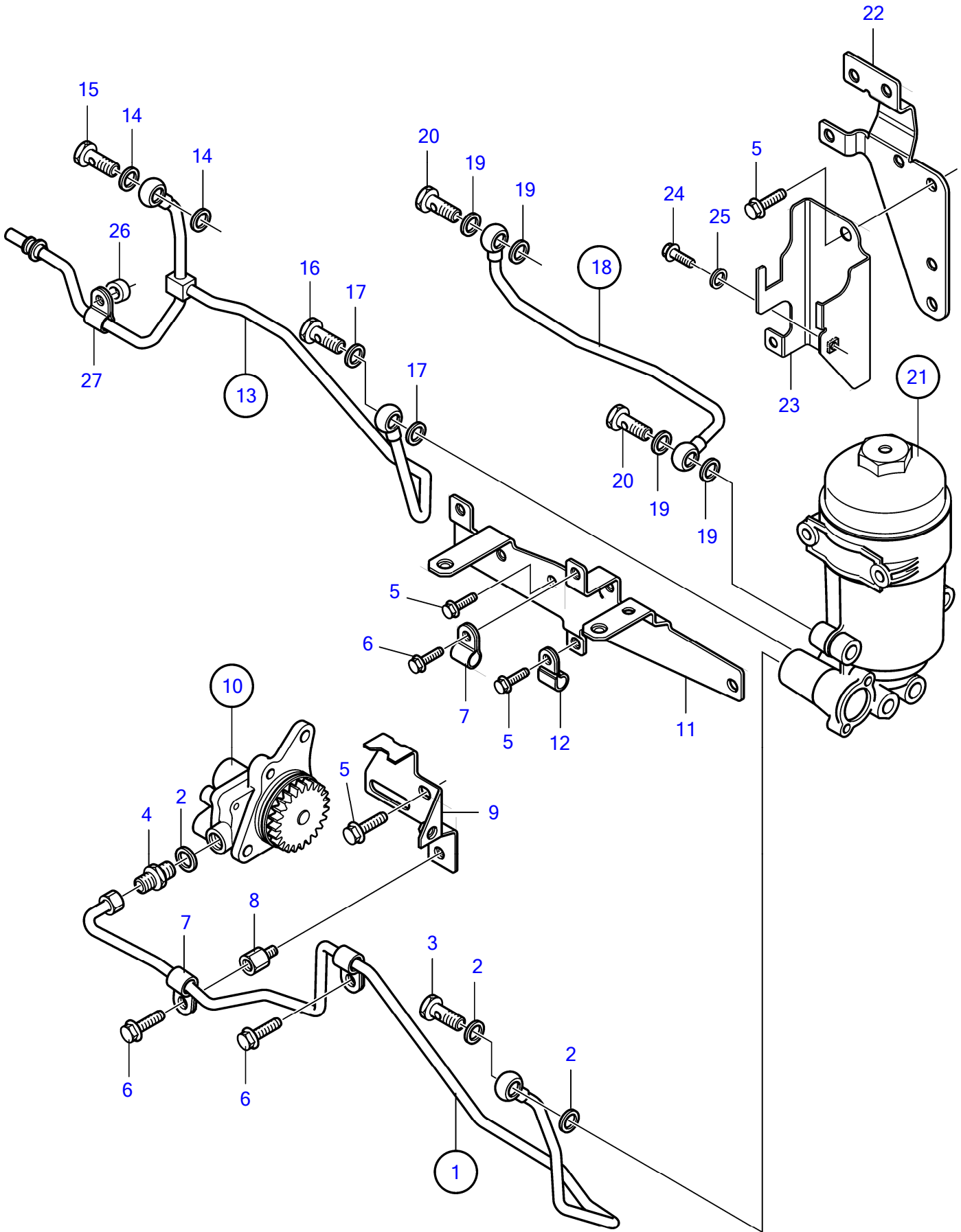


27536

TAD750GE, TAD751GE, TAD752GE, TAD753GE, TAD754GE

REF	PART NO.	QTY	DESCRIPTION
1	21041305	1	Fuel pipe
2	21108673	3	• Sealing ring
3	21527800	1	• Hollow screw
4	21136316	1	Fuel pipe
5	21108673	4	• Sealing ring
6	21527800	1	• Hollow screw
7	20405562	1	• Hollow screw
8	21136325	1	Tube
9	21108673	2	• Sealing ring
10	21527800	1	• Hollow screw
11	20460936	1	• Hollow screw
12	21108676	2	• Sealing ring
13	993241	1	• Hollow screw
14	21698538	1	Fuel pipe
15	21108673	2	• Sealing ring
16	21527800	1	• Hollow screw
17	20460400	2	• Hollow screw
18	21108679	2	• Sealing ring
19	20450987	3	Clamp
20	20460045	6	Clamp
21	21041722	1	Bracket
22	20797211	1	Hexagon screw
23	20405792	8	Flange screw
24	21698528	1	Retaining plate
25	21086323	1	Bracket
26	20797766	1	Washer
27	21086311	1	Fuel pipe
28	20460400	1	• Hollow screw
29	21108679	2	• Sealing ring
30	20485280	1	Adapter
31	20927443	1	Adapter
32	20405729	5	Hexagon screw
33	20405562	1	Hollow screw
34	20405734	1	Washer

TAD734GE

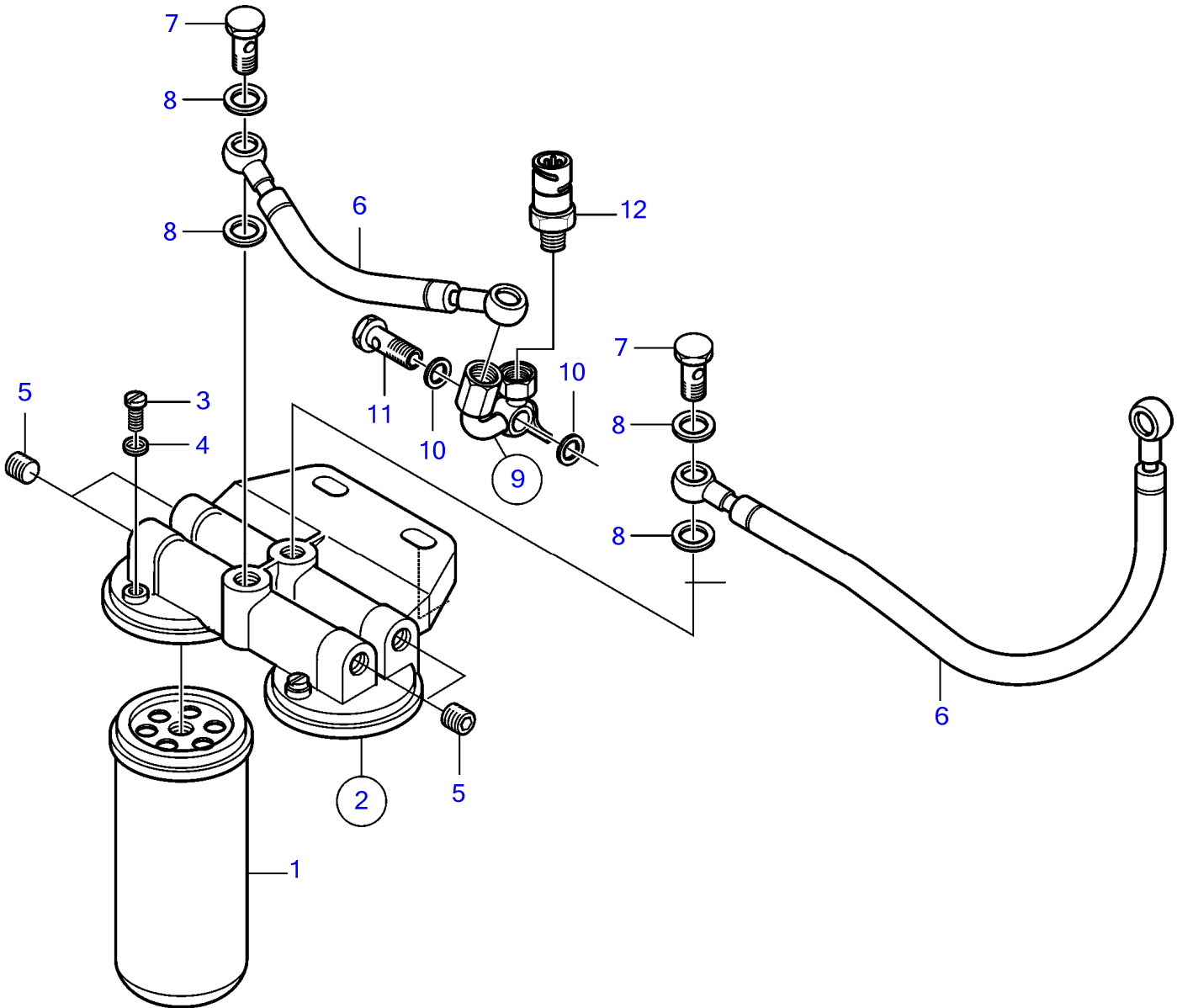


24514

TAD734GE

REF	PART NO.	QTY	DESCRIPTION	SEE SEC.
1	21041305	1	Fuel pipe	
2	21108673	2	• Sealing ring	
3	25167	1	• Hollow screw	
4	20799255	1	Nipple	
5	20405792	8	Flange screw	
6	967949	5	Flange screw	
7	20460045	6	Clamp	
8	20927443	1	Adapter	
9	21086323	1	Bracket	
10		1	Fuel pump	54158044
11	21041714	1	Bracket	
12	20450987	3	Clamp	
13	21086332	1	Fuel pipe	
14	21108673	2	• Sealing ring	
15	25167	1	• Hollow screw	
16	20460400	1	• Hollow screw	
17	947622	2	• Gasket	
18	20792989	1	Fuel pipe	
19	21108673	4	• Sealing ring	
20	25167	2	• Hollow screw	
21	20860690	1	Fuel filter	
22	21041314	1	Bracket	
23	21041722	1	Bracket	
24	20797211	1	Hexagon screw	
25	20797766	1	Washer	
26	20802178	1	Bushing	
27	20450987	1	Clamp	

TAD750GE, TAD751GE

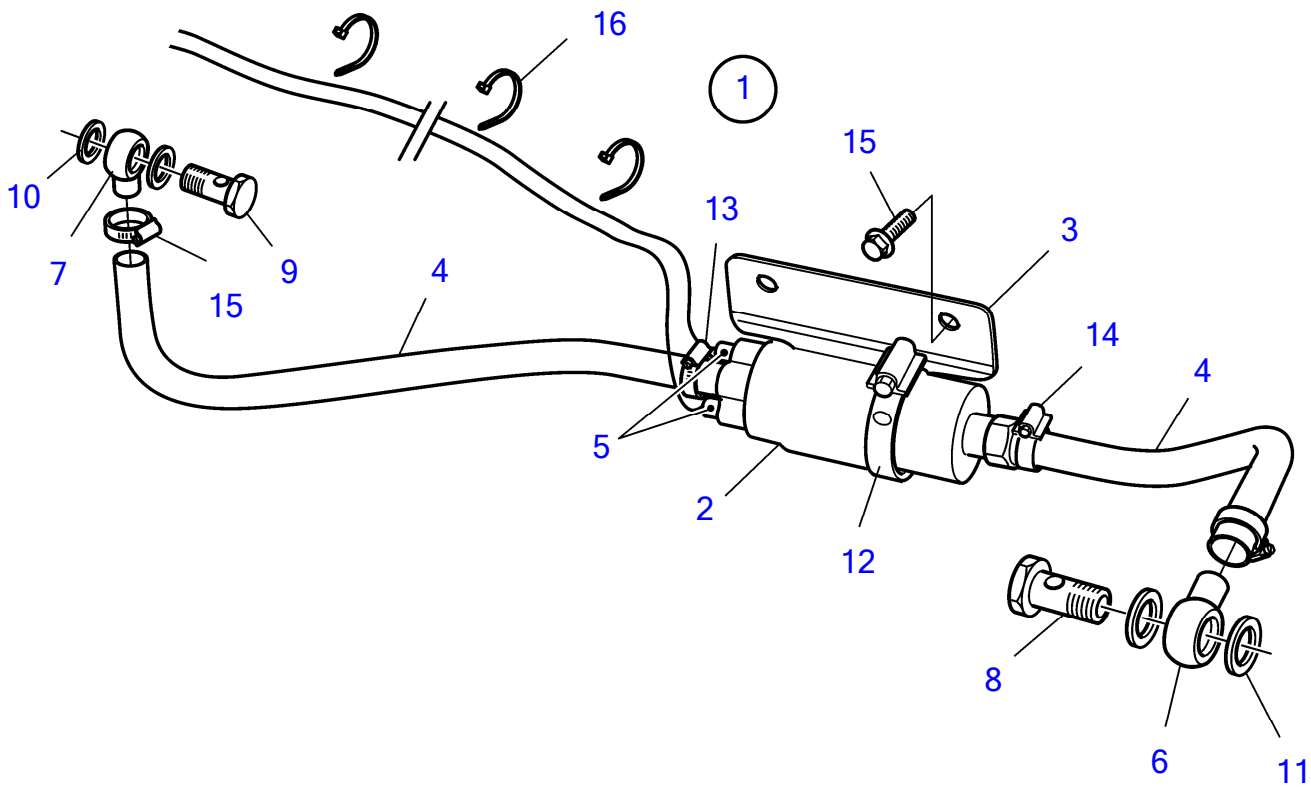


26043

TAD750GE, TAD751GE

REF	PART NO.	QTY	DESCRIPTION
1	20805349	2	Fuel filter
2	21685757	1	Filter housing
3	20854240	2	• Screw
4	993676	2	• Gasket
5	20883416	4	• Plug
6	21229583	2	Hose assembly
7	25167	4	Hollow screw
8	969011	8	Gasket
9	21512292	1	Pipe
10	969011	1	• Gasket
11	20405562	1	• Hollow screw
12	21302639	1	• Pressure sensor

TAD734GE, TAD752GE, TAD753GE, TAD754GE

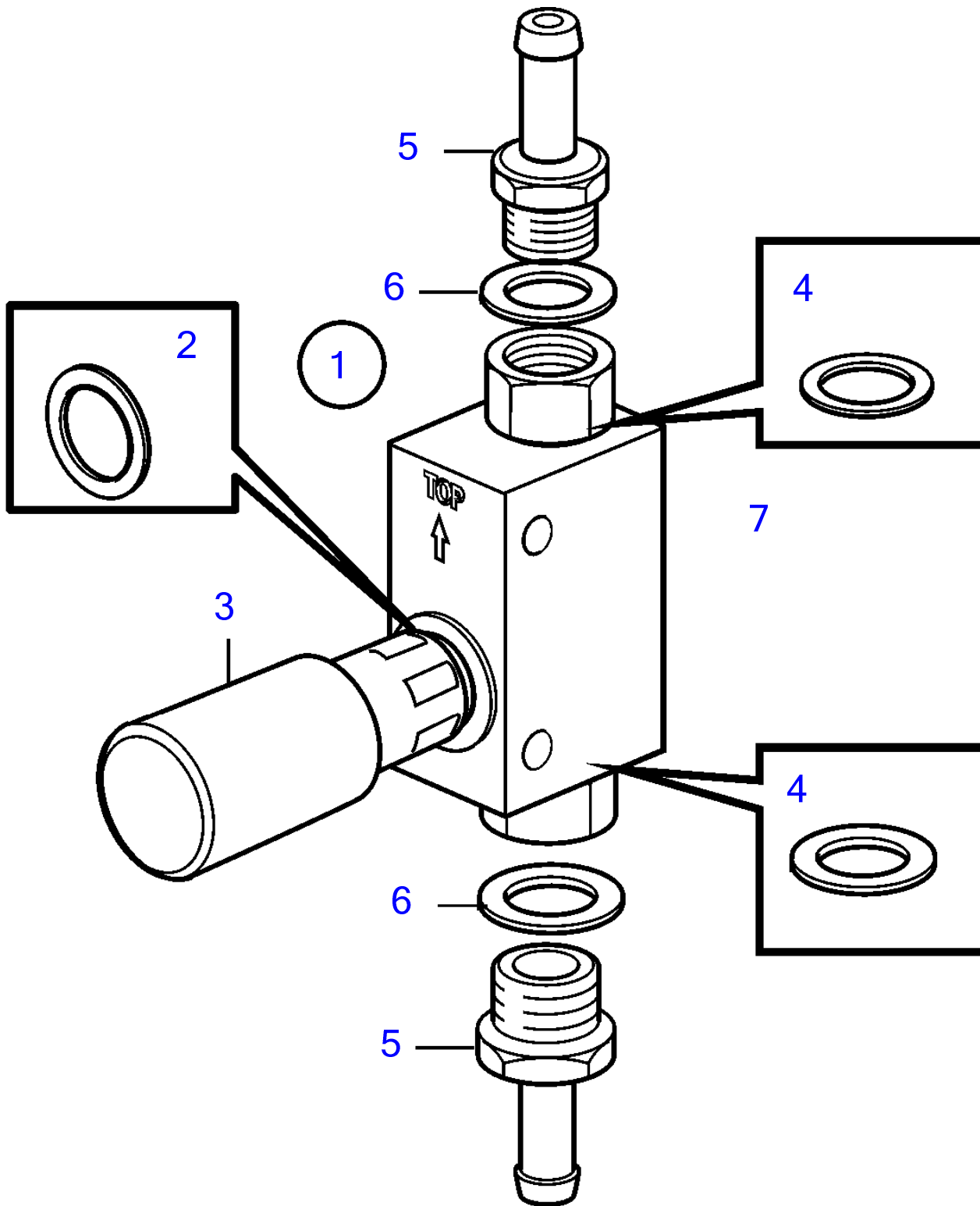


29086

TAD734GE, TAD752GE, TAD753GE, TAD754GE

REF	PART NO.	QTY	DESCRIPTION	NOTES
1	22923406	1	El pre fuel pump kit	
2	22794669	1	• Fuel pump	Replaced by 23008329
	23008329	1	• Fuel pump	Replaced by 23493103
	23493103	1	• Fuel pump	Replaced by 24072320
	24072320	1	• Fuel pump	
3	22783123	1	• Bracket	
4	3830315	X	• Hose	L=1500mm
5	22785588	1	• Wiring harness	
6	977754	1	• Banjo nipple	
7	977753	1	• Banjo nipple	Replaced by 23704378
	23704378	1	• Banjo nipple	
8	968126	1	• Hollow screw	M16x47
	991046	1	• Hollow screw	M16x28
9	978197	1	• Hollow screw	M14x42
10	969011	3	• Gasket	
11	11996	3	• Gasket	
12	961671	1	• Hose clamp	
13	961664	1	• Hose clamp	
14	961663	3	• Hose clamp	
15	994445	1	• Flange screw	
16	948211	X	• Cable tie	

TAD734GE, TAD750GE, TAD751GE, TAD752GE, TAD753GE, TAD754GE

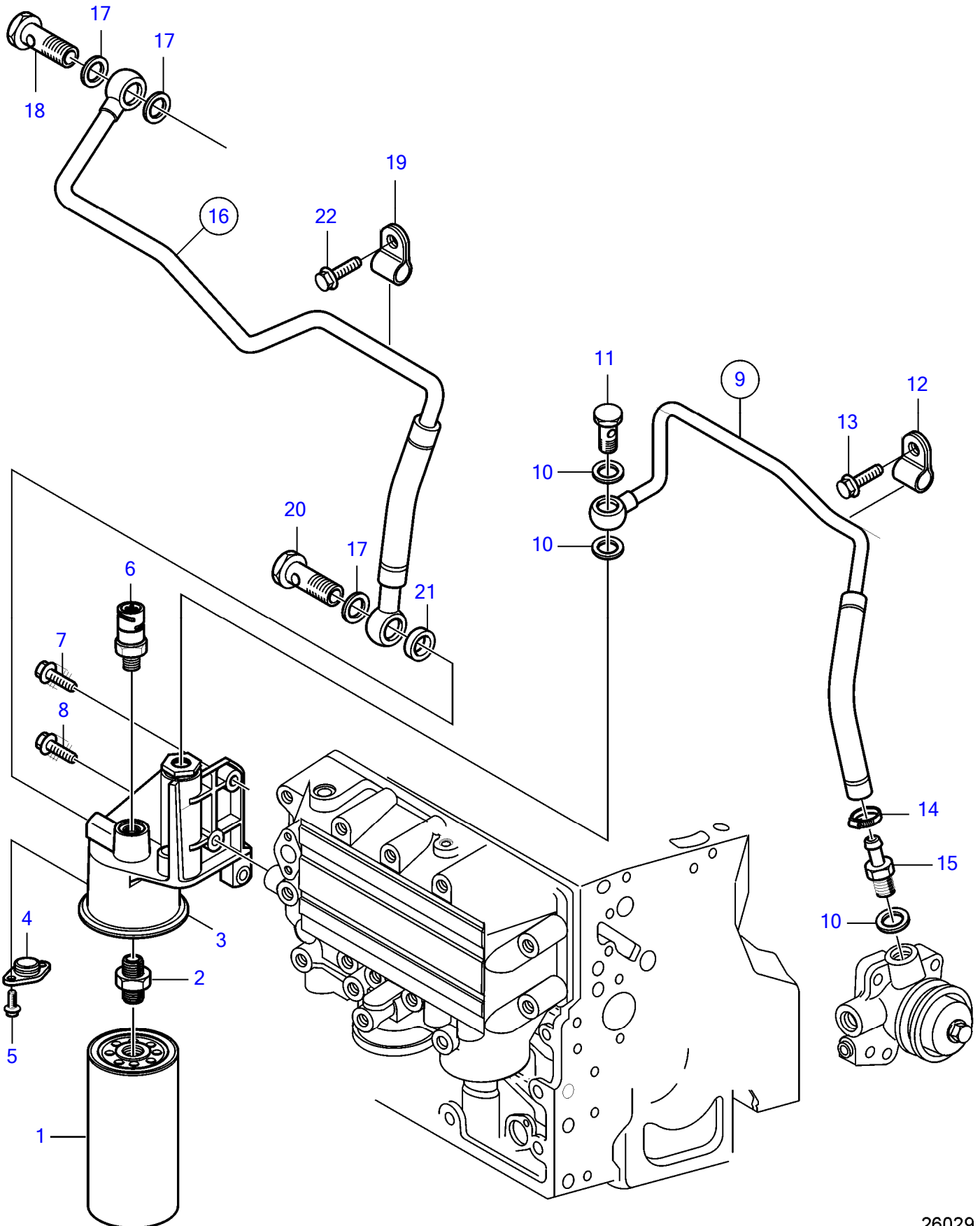


28117

TAD734GE, TAD750GE, TAD751GE, TAD752GE, TAD753GE, TAD754GE

REF	PART NO.	QTY	DESCRIPTION
1	20450901	1	Feed pump
2	947622	1	• Gasket
3	20412750	1	• Hand pump
4	947625	2	• Gasket
5	20450905	2	Connection piece
6	993784	2	Gasket
7	20797287	2	Flange screw

TAD750GE, TAD751GE

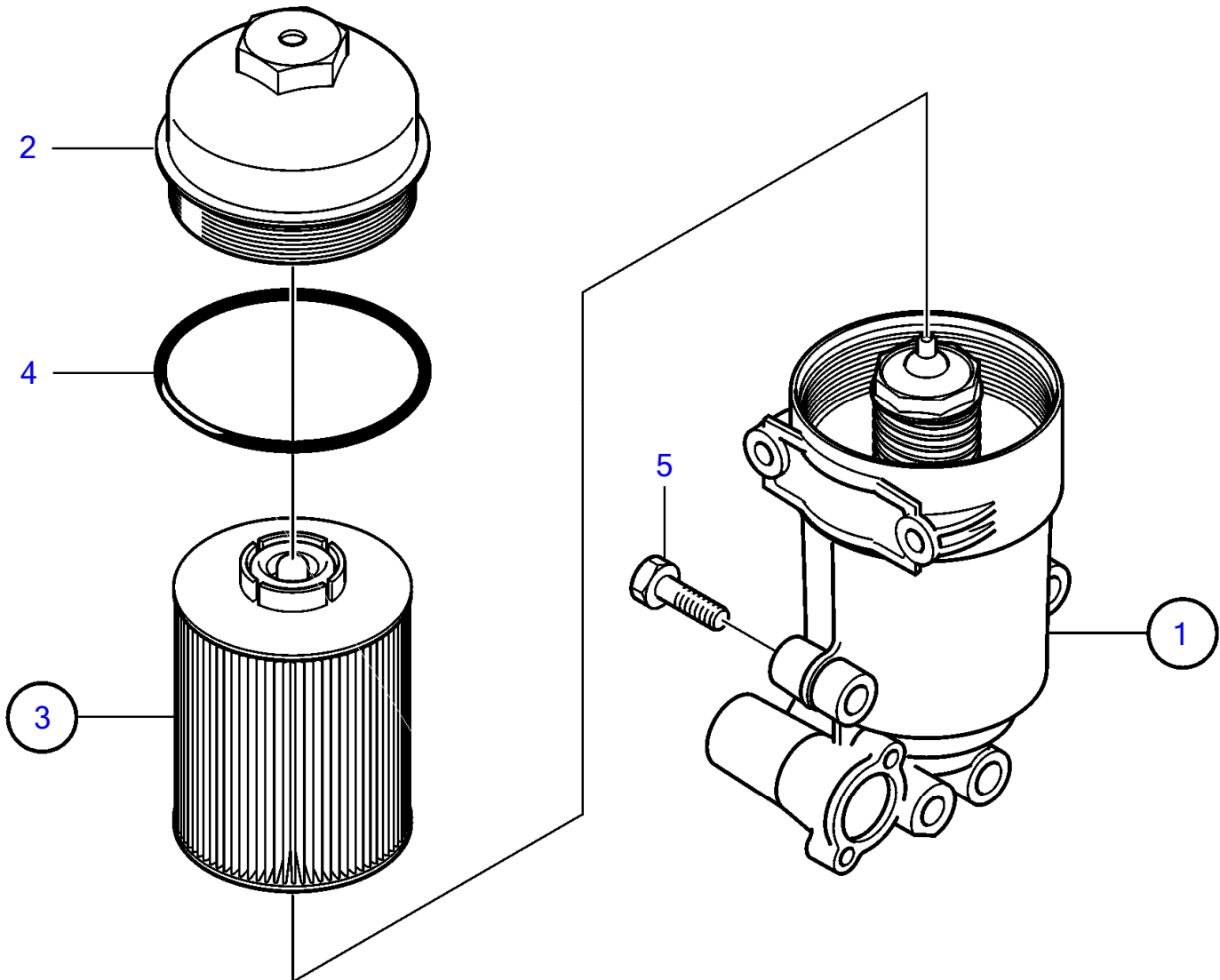


26029

TAD750GE, TAD751GE

REF	PART NO.	QTY	DESCRIPTION	NOTES
1	20805349	1	Fuel filter	M18x1,5 L=212
2	20818370	1	Bushing	
3	20914974	1	Fuel filter housing	
4	20798139	1	• Cover	
5	20799087	1	• Six point screw	
6	21302639	1	• Pressure sensor	
7	20450801	2	• Flange screw	
8	11700269	1	Screw	
9	20829077	1	Fuel pipe	
10	969011	1	• Gasket	
11	25167	1	• Hollow screw	
12	20460045	1	• Clamp	
13	20460055	1	Flange screw	
14	20405568	1	Hose clamp	
15	20405767	1	Hose nipple	
16	20797400	1	Fuel pipe	
17	969011	3	• Gasket	
18	25167	1	• Hollow screw	
19	20450987	1	• Clamp	
20	20405562	1	• Hollow screw	
21	20405769	1	• Sealing ring	
22	984733	1	Flange screw	

TAD752GE, TAD753GE, TAD754GE

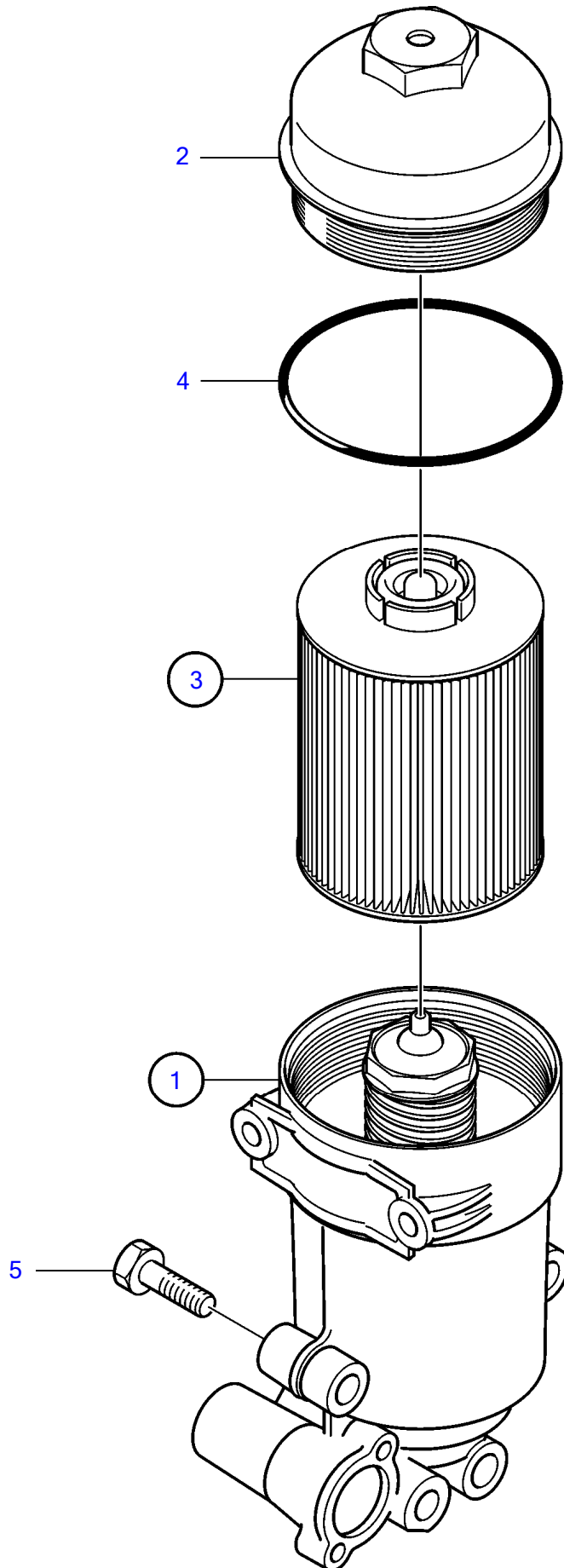


28086

TAD752GE, TAD753GE, TAD754GE

REF	PART NO.	QTY	DESCRIPTION
1	21362208	1	Fuel filter, complete
2	21009270	1	• Cover
3	21276079	1	• Filter insert
4	20766211	1	• • Sealing ring
5	11700269	3	Screw

TAD734GE

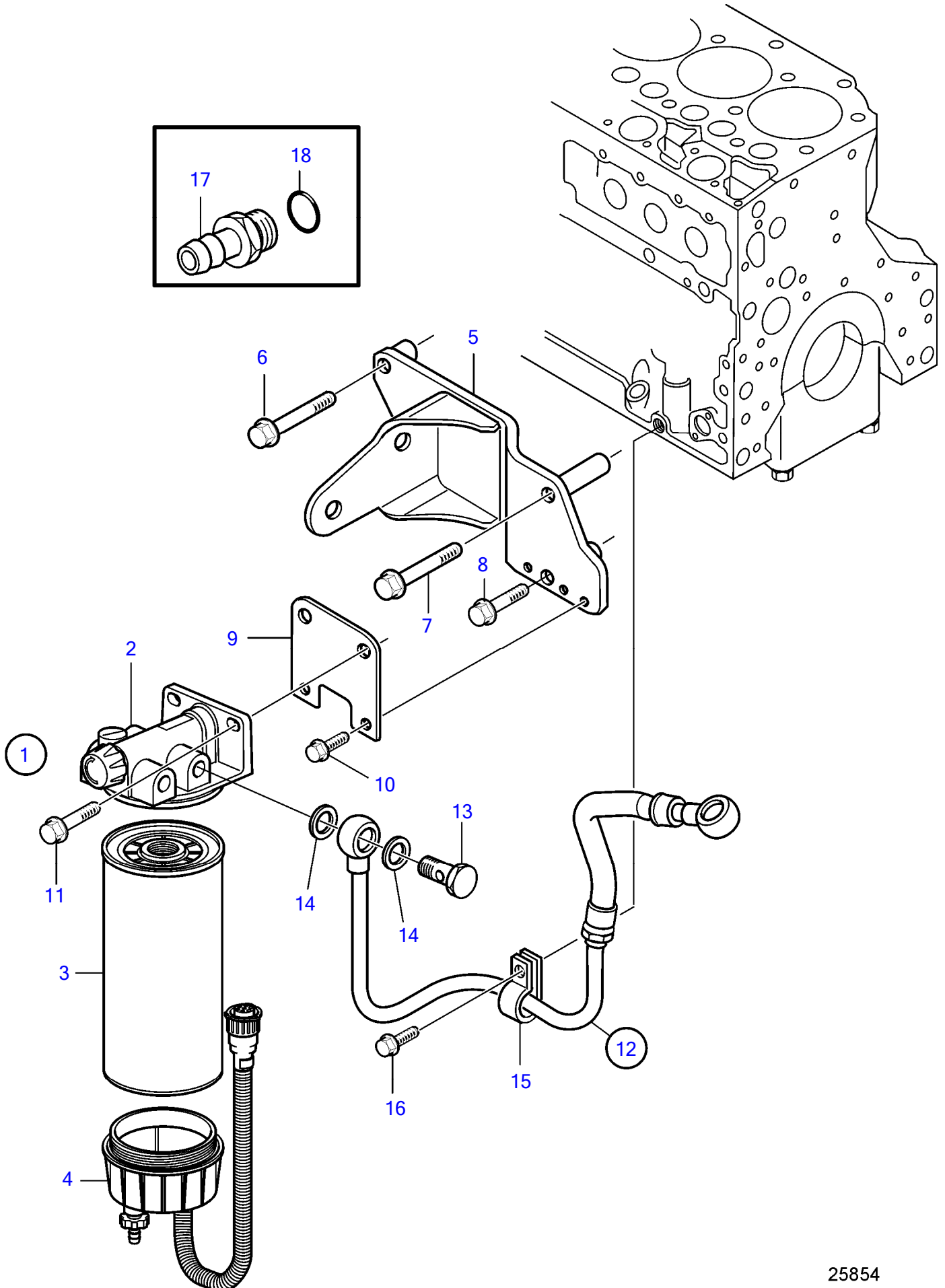


23657

TAD734GE

REF	PART NO.	QTY	DESCRIPTION
1	20860690	1	Fuel filter, complete
2	21009270	1	• Cover
3	20998805	1	• Fuel filter
4	20766211	1	• • Sealing ring
5	11700269	1	Screw

TAD750GE, TAD751GE

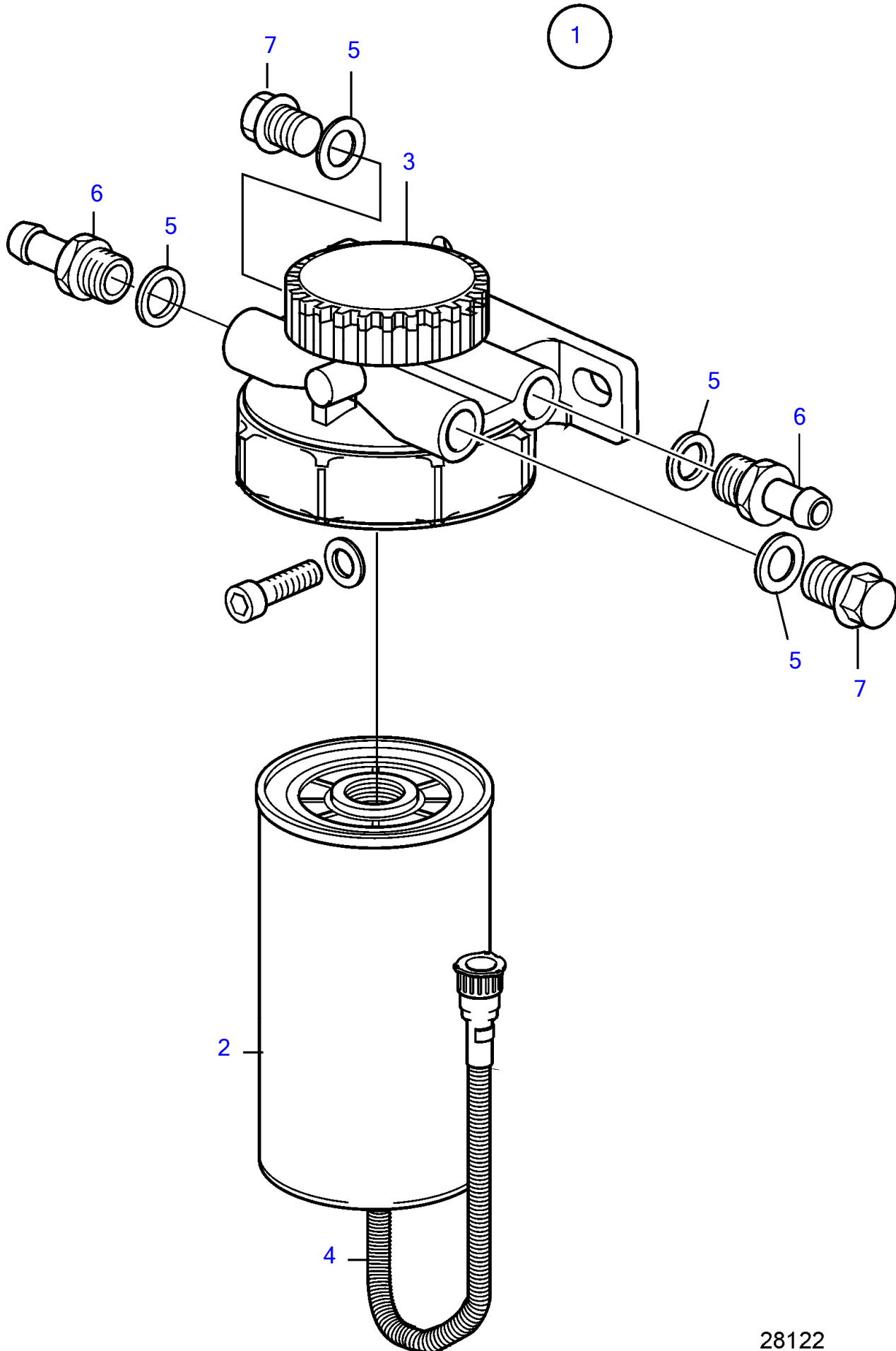


25854

TAD750GE, TAD751GE

REF	PART NO.	QTY	DESCRIPTION	NOTES
1	11110709	1	Fuel filter kit	Without thermostat valve
2		1	• Filter housing	
3	11110683	1	• Fuel filter	
4	11110737	1	• Bowl	
5	21665518	1	Bracket	
6	20450801	1	Flange screw	
7	20792140	1	Flange screw	
8	993431	1	Flange screw	
9	21665539	1	Bracket	
10	984736	2	Flange screw	
11	970947	2	Hexagon screw	
12	21665543	1	Fuel hose	
13	20460400	2	• Hollow screw	
14	11996	4	• Gasket	
15	20450987	1	• Clamp	
16	984733	1	Flange screw	
17	20412596	1	Hose nipple	
18	947622	1	Gasket	

TAD734GE, TAD750GE, TAD751GE, TAD752GE, TAD753GE, TAD754GE

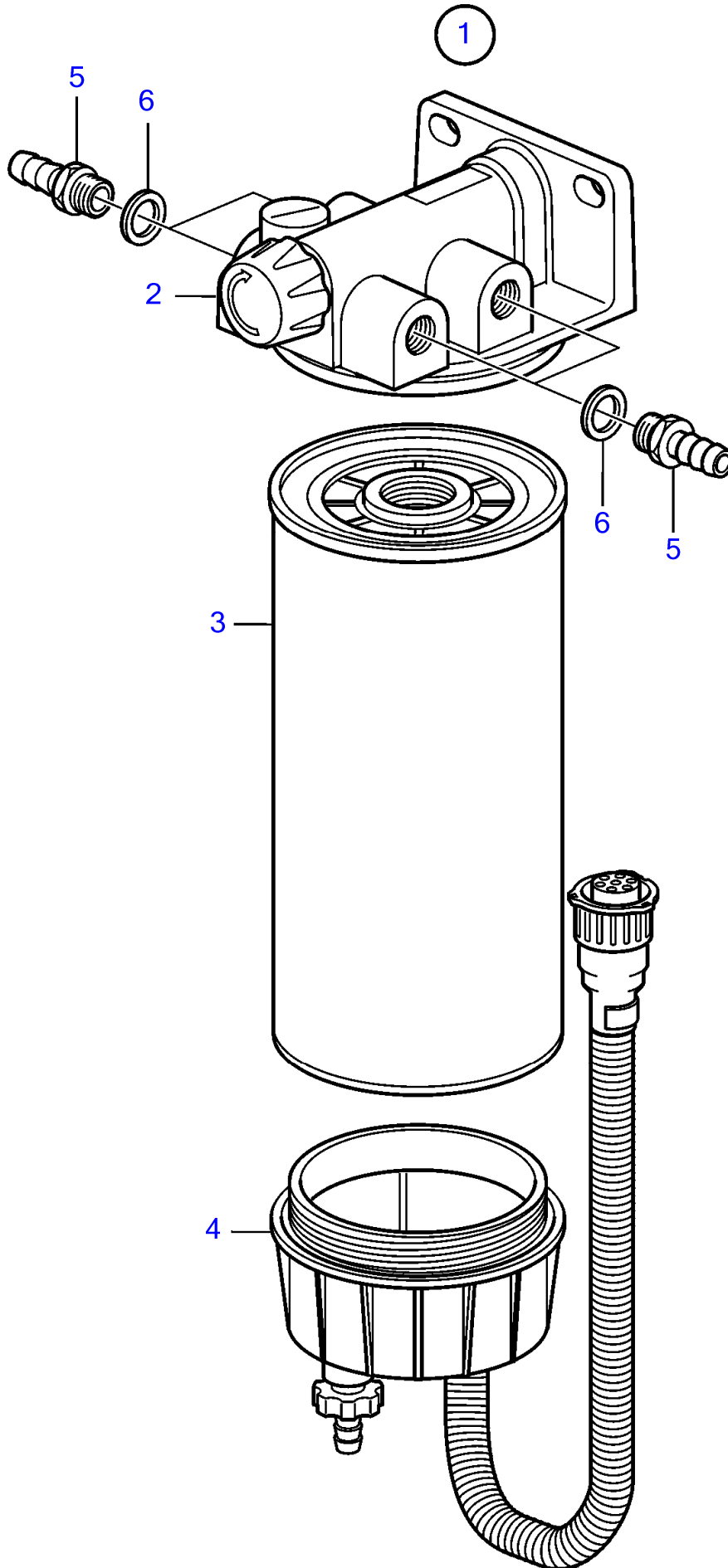


28122

TAD734GE, TAD750GE, TAD751GE, TAD752GE, TAD753GE, TAD754GE

REF	PART NO.	QTY	DESCRIPTION
1	22286088	1	Fuel filter
2	22116209	1	• Fuel filter
3		1	• Filter housing
4	22287135	1	• Cable
5	11996	4	Gasket
6	20412596	2	Hose nipple
7	20792092	2	Plug

TAD750GE, TAD751GE, TAD752GE, TAD753GE, TAD754GE

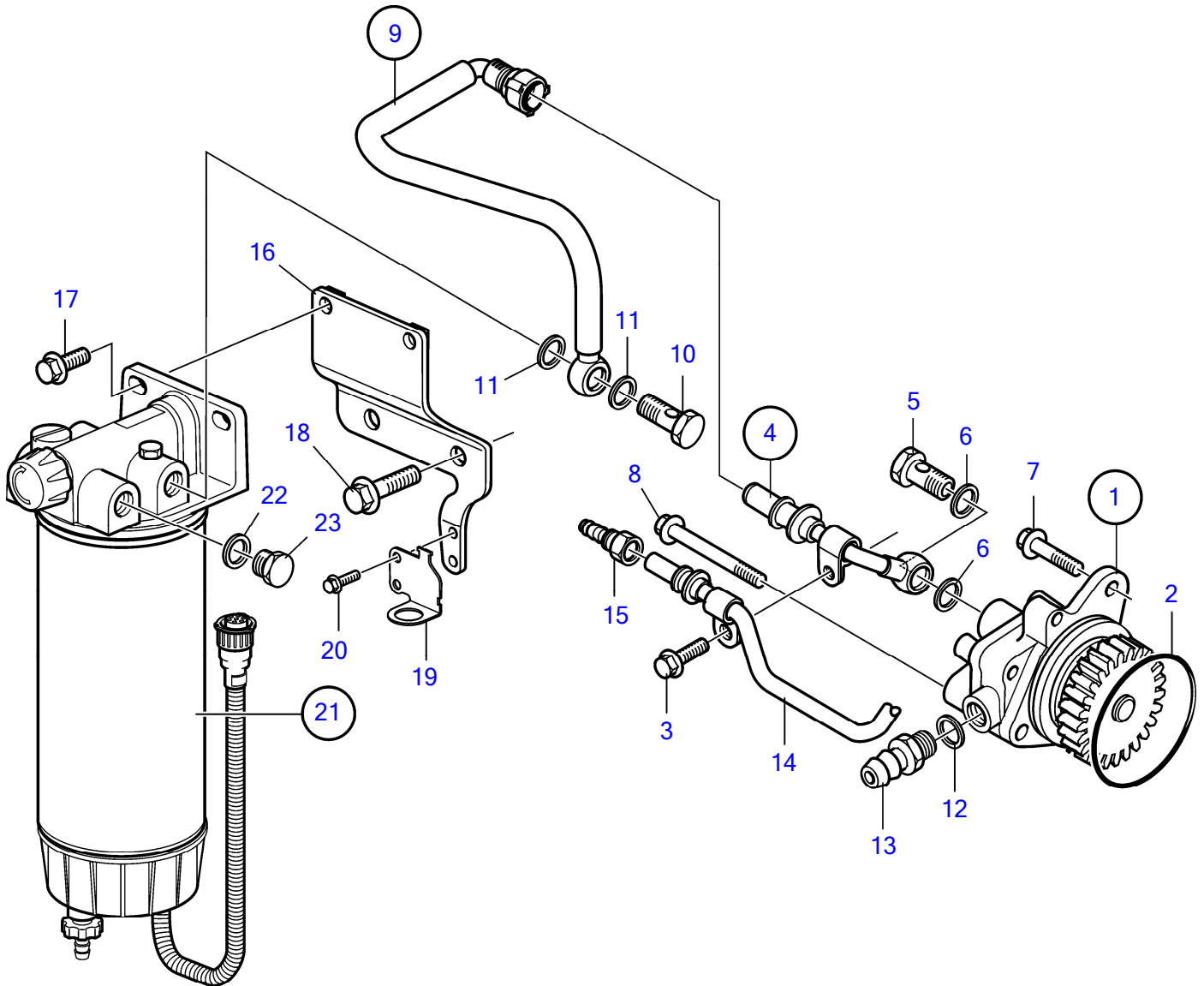


22751

TAD750GE, TAD751GE, TAD752GE, TAD753GE, TAD754GE

REF	PART NO.	QTY	DESCRIPTION	NOTES
1	11110709		Fuel filter kit	Integrated hand fuel pump., Without thermostat valve
2		1	• Filter housing	
3	11110683	1	• Fuel filter	
4	11110737	1	• Bowl	
5	20412596	5	Hose nipple	
	21090712	1	Adapter sleeve	Option TAD752-754GE
	21652971	1	Adapter sleeve	Option TAD752-754GE
	21770132	1	Connector	90°
6	947622	5	Gasket	

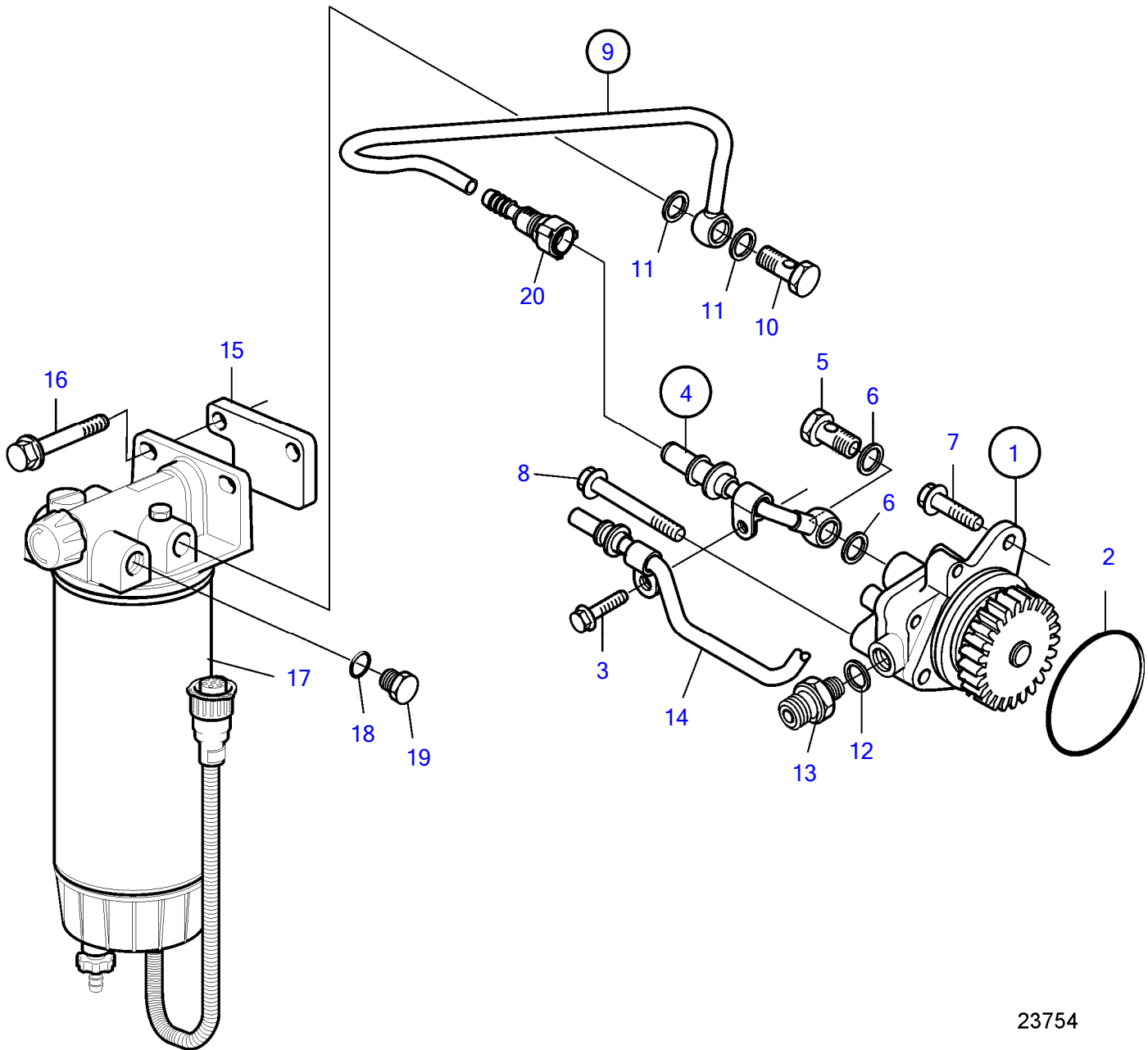
TAD734GE, TAD750GE, TAD751GE, TAD752GE, TAD753GE, TAD754GE



28908

TAD734GE, TAD750GE, TAD751GE, TAD752GE, TAD753GE, TAD754GE

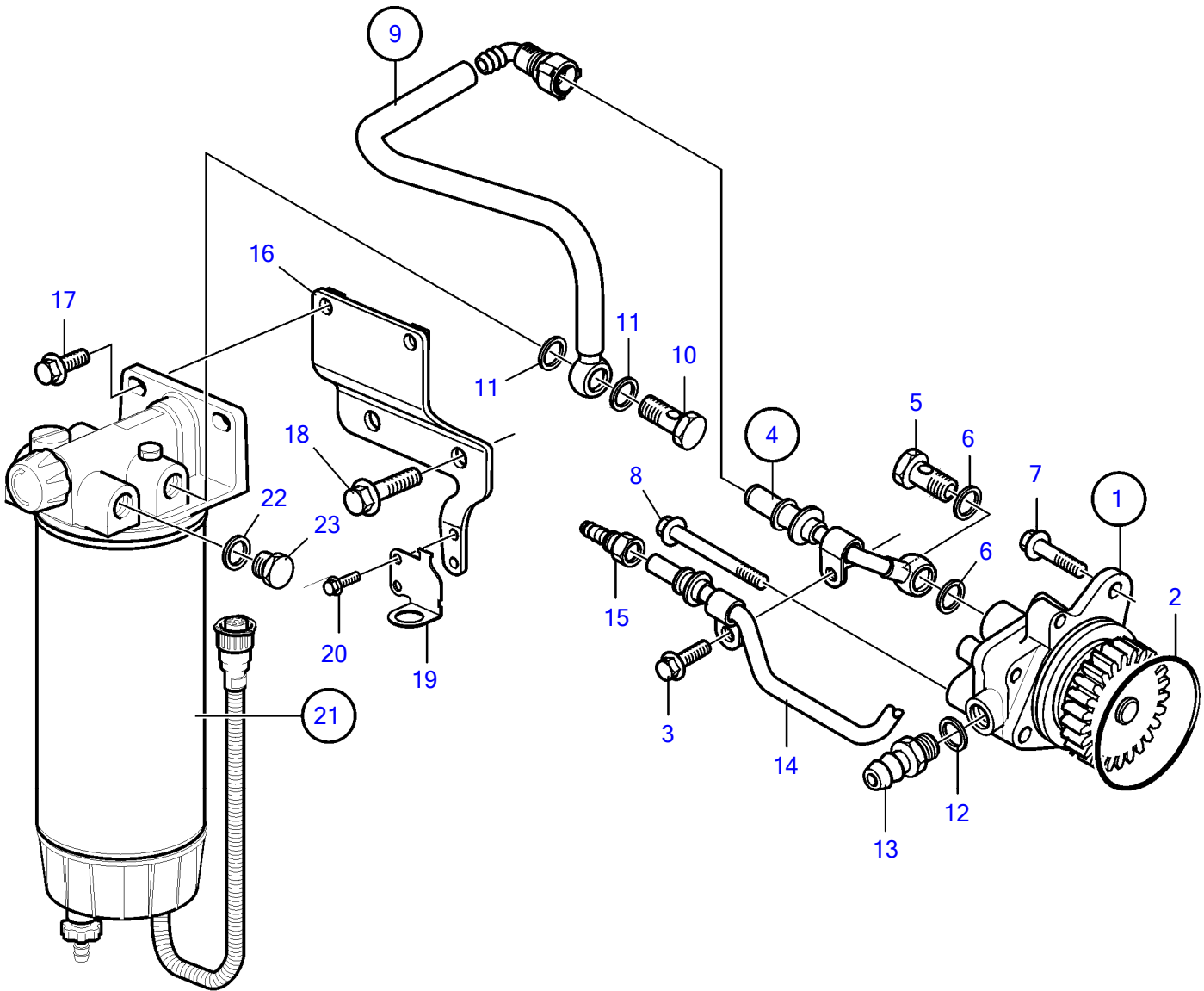
REF	PART NO.	QTY	DESCRIPTION	SEE SEC.	NOTES
1	21231294	1	Fuel pump		
2	20834438	1	• O-ring		
3		1	Screw		
4	21086311	1	Fuel pipe		
5	20460400	1	• Hollow screw		
6	947622	2	• Gasket		
7	20512299	1	Flange screw		L=25mm
8	994386	1	Flange screw		L=55mm
9	21139521	1	Fuel pipe		
10	20460400	1	• Hollow screw		
11	947622	2	• Gasket		
12	947622	2	Gasket		
13	20412596	1	Hose nipple		
14	21698538	1	Fuel pipe, return		
15	21090712	1	Adapter sleeve		
	21770132	1	Connector		90°
16	21139519	1	Bracket		Replaced by 21275495
	21275495	1	Bracket		
17	20755314	2	Flange screw		
18	20796824	2	Hexagon screw		
19	21033221	1	Bracket		
20	20405792	2	Flange screw		
21		1	Fuel filter	54161741	
22	11996	1	Gasket		
23	966143	1	Plug		



23754

TAD734GE

REF	PART NO.	QTY	DESCRIPTION	SEE SEC.	NOTES
1	20927350	1	Fuel pump		
	21086600	1	Fuel pump		SN5310461772-5310652984, Replaced by 21231294
	21231294	1	Fuel pump		SN5310652985-
2	20834438	1	• O-ring		
3		1	Screw		
4	21086311	1	Fuel pipe		
5	20460400	1	• Hollow screw		
6	947622	2	• Gasket		
7	984735	1	Flange screw		L=25mm
8	994386	1	Flange screw		L=55mm
9	21086352	1	Fuel pipe		
10	20460400	1	• Hollow screw		
11	947622	2	• Gasket		
12	947622	2	Gasket		
13	20799255	1	Nipple		
14		1	Fuel line	54158069	
15	21073042	1	Spacer		
16	20797284	2	Flange screw		
17		1	Fuel filter	54171394	
18	11996	1	Gasket		
19	966143	1	Plug		
20	21090712	1	Adapter sleeve		
	21770132	1	Connector		90°

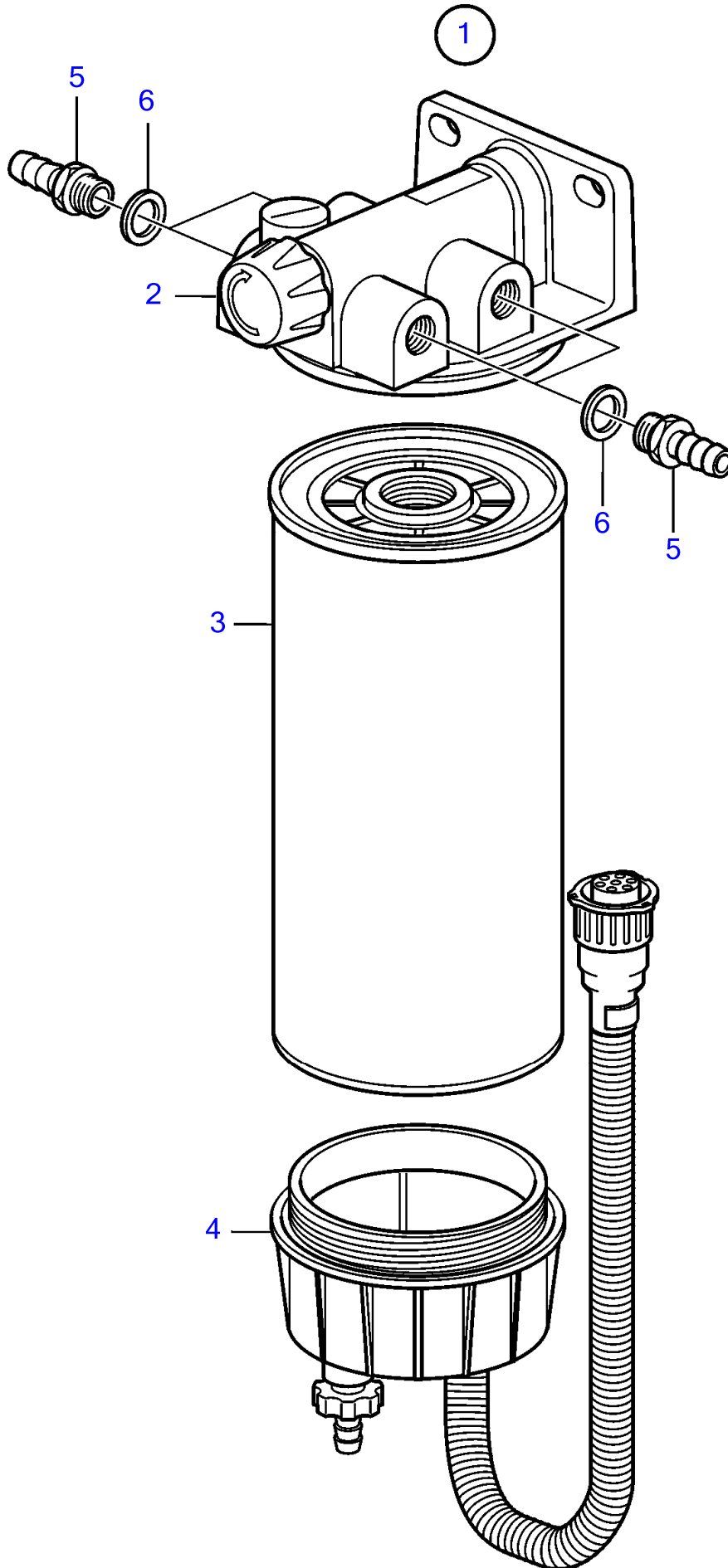


24178

TAD734GE

REF	PART NO.	QTY	DESCRIPTION	SEE SEC.	NOTES
1	21086600	1	Fuel pump		SN5310461772-5310652984, Replaced by 21231294
	21231294	1	Fuel pump		SN5310652985-
2	20834438	1	• O-ring		
3		1	Screw		
4	21086311	1	Fuel pipe		
5	20460400	1	• Hollow screw		
6	947622	2	• Gasket		
7	984735	1	Flange screw		L=25mm
8	994386	1	Flange screw		L=55mm
9	21139521	1	Fuel pipe		
10	20460400	1	• Hollow screw		
11	947622	2	• Gasket		
12	947622	2	Gasket		
13	20412596	1	Hose nipple		
14		1	Fuel line	54158069	
15					
16	21139519	1	Bracket		Replaced by 21275495
	21275495	1	Bracket		
17	20755314	2	Flange screw		
18	20796824	2	Hexagon screw		
19	21033221	1	Bracket		
20	20405792	2	Flange screw		
21		1	Fuel filter	54171394	
22	11996	1	Gasket		
23	966143	1	Plug		

TAD734GE

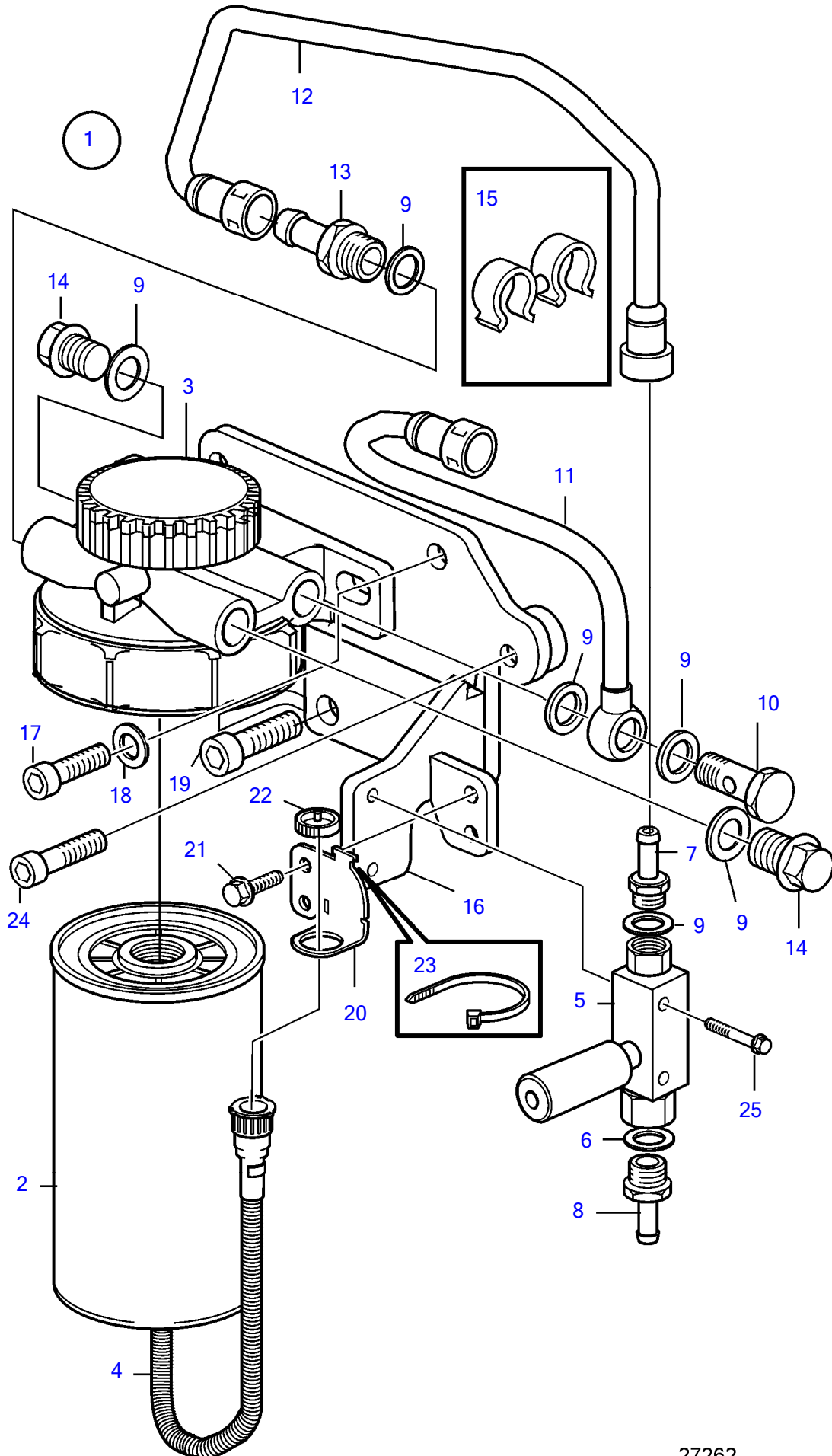


22751

TAD734GE

REF	PART NO.	QTY	DESCRIPTION	NOTES
1	11110703	1	Fuel filter kit	Integrated hand fuel pump., SN-10219542, With thermostat valve
	11110709		Fuel filter kit	Integrated hand fuel pump., SN10219543-, Without thermostat valve
2		1	•	
3	11110683	1	• Fuel filter	
4	11110737	1	• Bowl	
5	20412596	5	Hose nipple	
6	947622	5	Gasket	

TAD734GE, TAD752GE, TAD753GE, TAD754GE

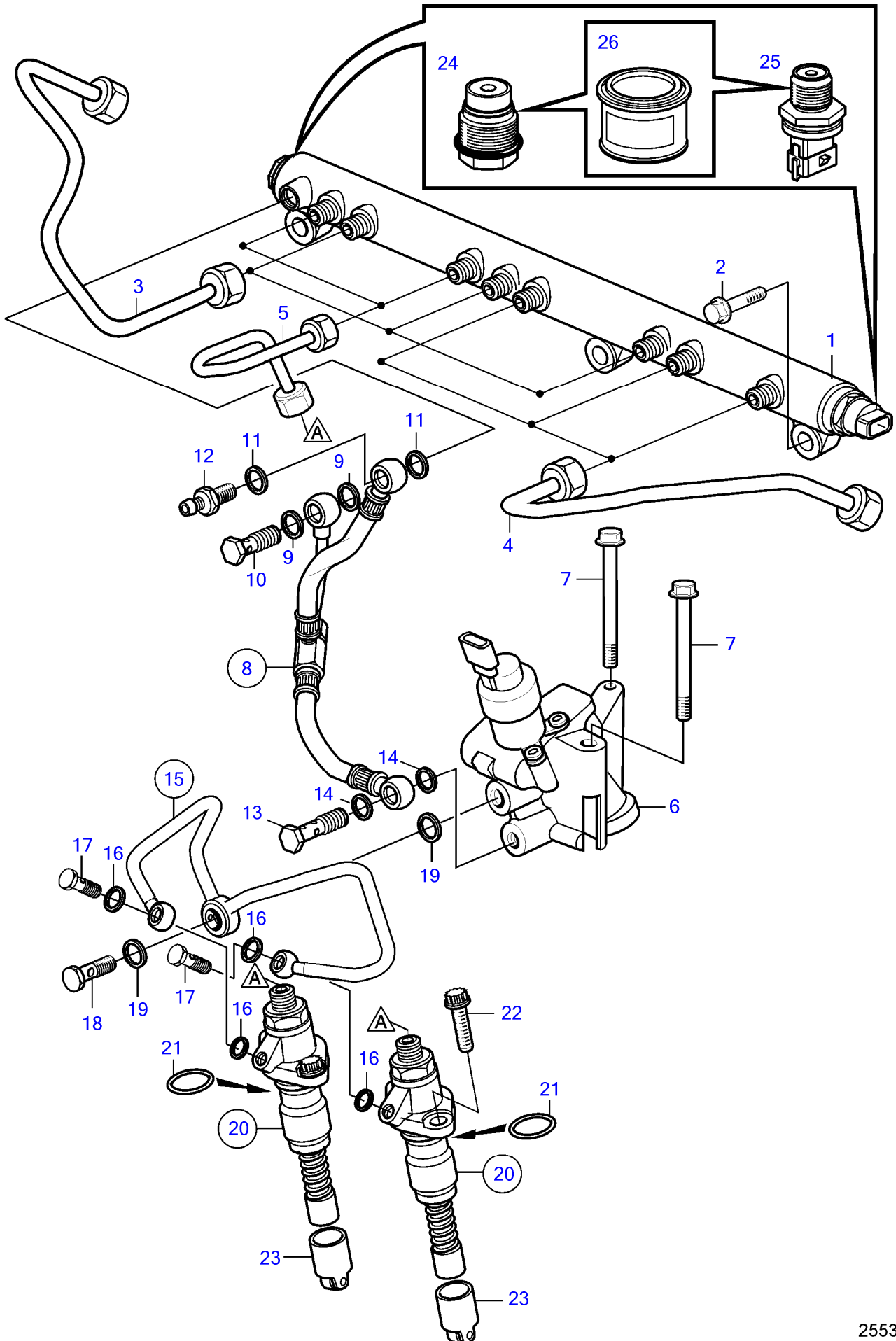


27262

TAD734GE, TAD752GE, TAD753GE, TAD754GE

REF	PART NO.	QTY	DESCRIPTION	NOTES
1	22286088	1	Fuel filter	Separate hand fuel pump
2	22116209	1	• Fuel filter	
3			• Filter housing	
4	22287135	1	• Cable	
5	20450901	1	Feed pump	
6	993784	1	Gasket	
7	22286156	1	Connector	
8	20450905	1	Connection piece	
9	11996	6	Gasket	
10	20460400	1	Hollow screw	
11	22840236	1	Fuel pipe	
12	22286168	1	Fuel pipe	
13	20832581	1	Adapter	SN-12032967, Replaced by 23090585
	23090585	1	Adapter	SN12032968-
14	20792092	2	Plug	
15	21635993	1	Hose retainer	
16	22286063	1	Bracket	
17	20792135	2	Hex. socket screw	
18	20764147	2	Washer	
19	22349872	2	Hex. socket screw	Replaced by 22840216
	22840216	2	Hex. socket screw	
20	21033221	1	Bracket	
21	946440	2	Flange screw	
22	20858971	1	Ring	
23	20513984	1	Cable tie	
24	20459263	1	Hex. socket screw	
25	20797287	2	Flange screw	

TAD750GE, TAD751GE

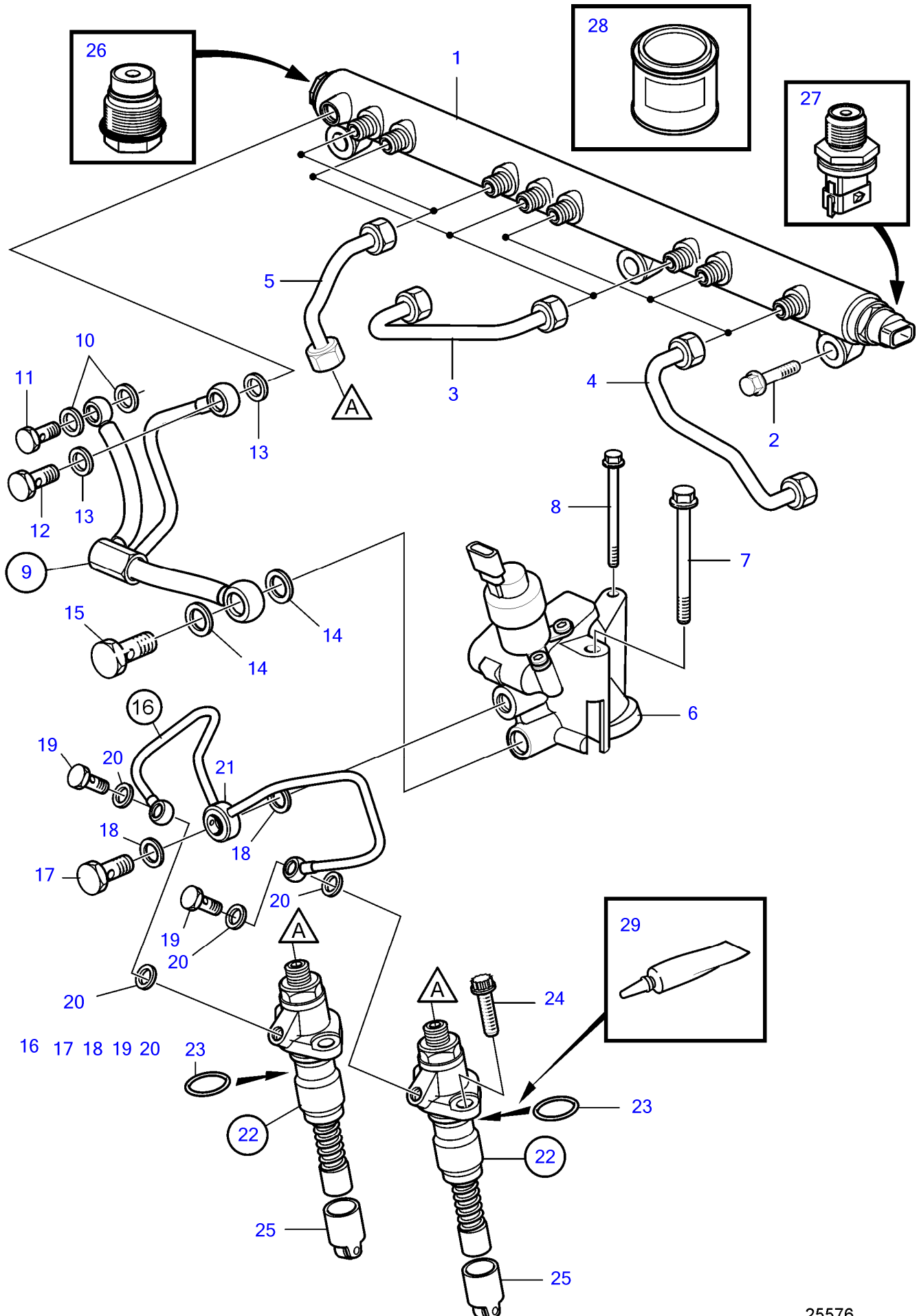


25536

TAD750GE, TAD751GE

REF	PART NO.	QTY	DESCRIPTION	SEE SEC.	NOTES
1	20819221	1	Common rail		
2	984736	3	Flange screw		
3	21364297	3	Pressure pipe		Cyl 1,2,3
4	21364330	3	Pressure pipe		Cyl 4,5,6
5	21364335	2	Pressure pipe		High pressure pump
6	21103266	3	Fuel regulator		Replaced by 21638691
	21638691	3	Fuel regulator	54161017	SN5311038330-
7	20405723	2	Flange screw		L=75mm
8	21156370	1	Leak-off line		SN10416672-
9	21022796	2	• Sealing ring		Replaced by 21108676
	21108676	2	• Sealing ring		
10	20781218	1	• Hollow screw		
11	21022795	2	• Sealing ring		
12	21141582	1	Hollow screw		
13	20460400	1	Hollow screw		
14	21061009	2	Sealing ring		
15	21147486	1	Fuel pipe		
16	993605	4	• Gasket		
17	20460936	2	• Hollow screw		
18	20405562	1	• Hollow screw		
19	969011	2	• Gasket		
20	21147445	6	High-pressure pump		
	3801276	6	Injection pump, exch, exch		
	3803941	6	Injection pump, exch		
	3801276	6	Injection pump, exch		
21	21061000	1	• O-ring		
22	20793558	12	Flange screw		
23	20795661	6	Tappet		
24				54161524	Included in service kit.
25				54161524	Included in service kit.
26	(21076487)	1	Grease		Obsolete part

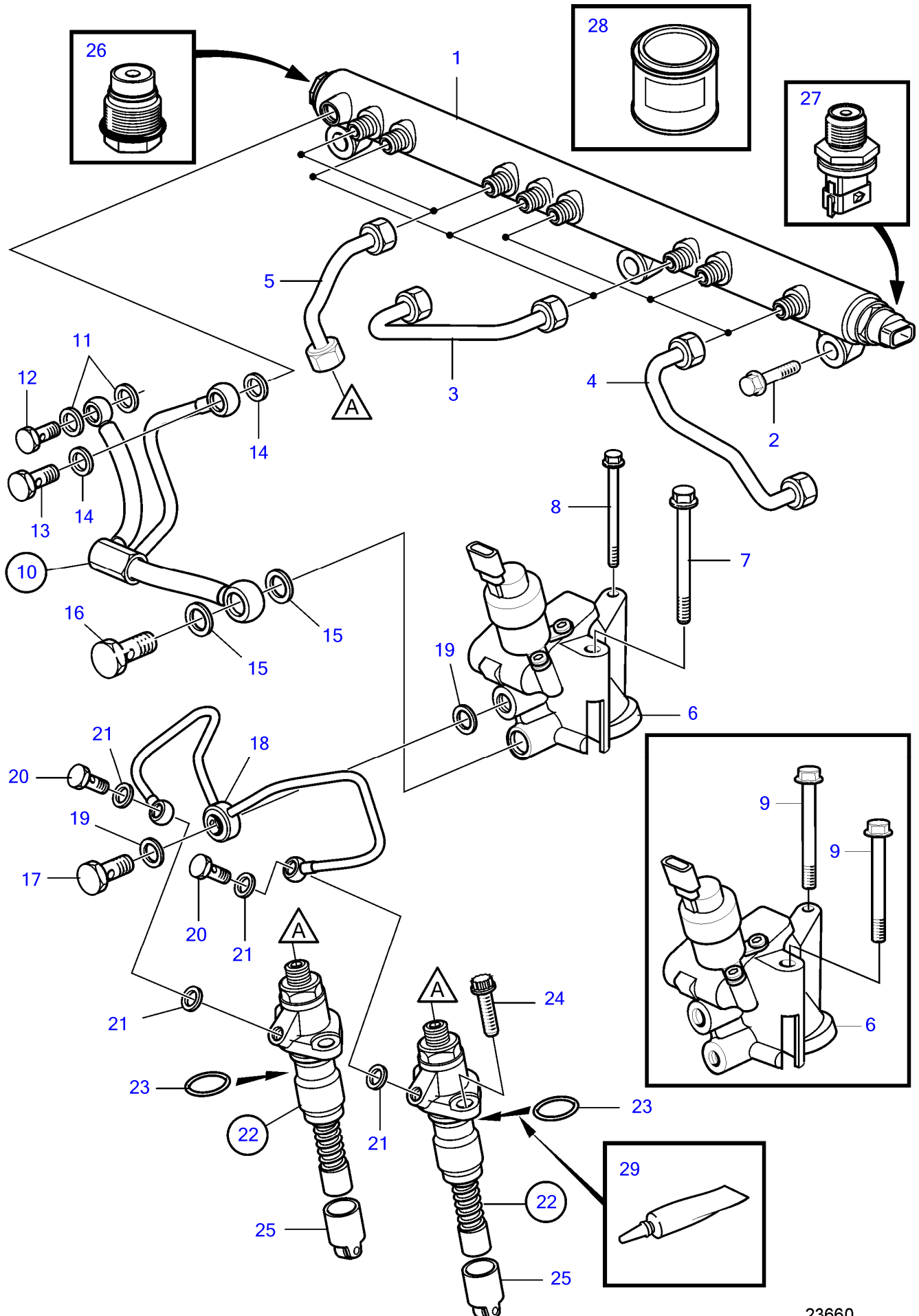
TAD752GE, TAD753GE, TAD754GE



TAD752GE, TAD753GE, TAD754GE

REF	PART NO.	QTY	DESCRIPTION	SEE SEC.	NOTES
1	20819221	1	Common rail		
2	984736	3	Flange screw		
3	21009158	3	Fuel pipe		Cyl 1,2,3
4	21009157	3	Fuel pipe		Cyl 4,5,6
5	21009157	2	Fuel pipe		High pressure pump TAD754GE
	20794242	2	Pressure pipe		
6	21638691	3	Fuel regulator	54161017	
7	20792140	1	Flange screw		L=85mm
8	20405723	1	Flange screw		L=75mm
9	21136325	1	Tube		
10	21108676	2	• Sealing ring		
11	20460936	1	• Hollow screw		
12	25167	1	• Hollow screw		
13	969011	2	• Gasket		
14	947622	2	• Gasket		
15	993241	1	• Hollow screw		L=36mm
16	21136310	1	Tube		
17	20405562	1	• Hollow screw		
18	969011	4	• Gasket		
19	20460936	2	• Hollow screw		
20	21108676	4	• Sealing ring		
21	21136310	3	Tube		
22	21103245	6	High-pressure pump		
	3801283	6	Injection pump, exch		
	3801283	6	Injection pump		
23	21061000	2	• O-ring		
24	20793558	4	Flange screw		
25	20795661	6	Tappet		
26		1	Delivery valve	54163215	
27		1	Pressure sensor	54163215	
28	(21076487)	1	Grease		Obsolete part
29	1161231	1	Sealant		

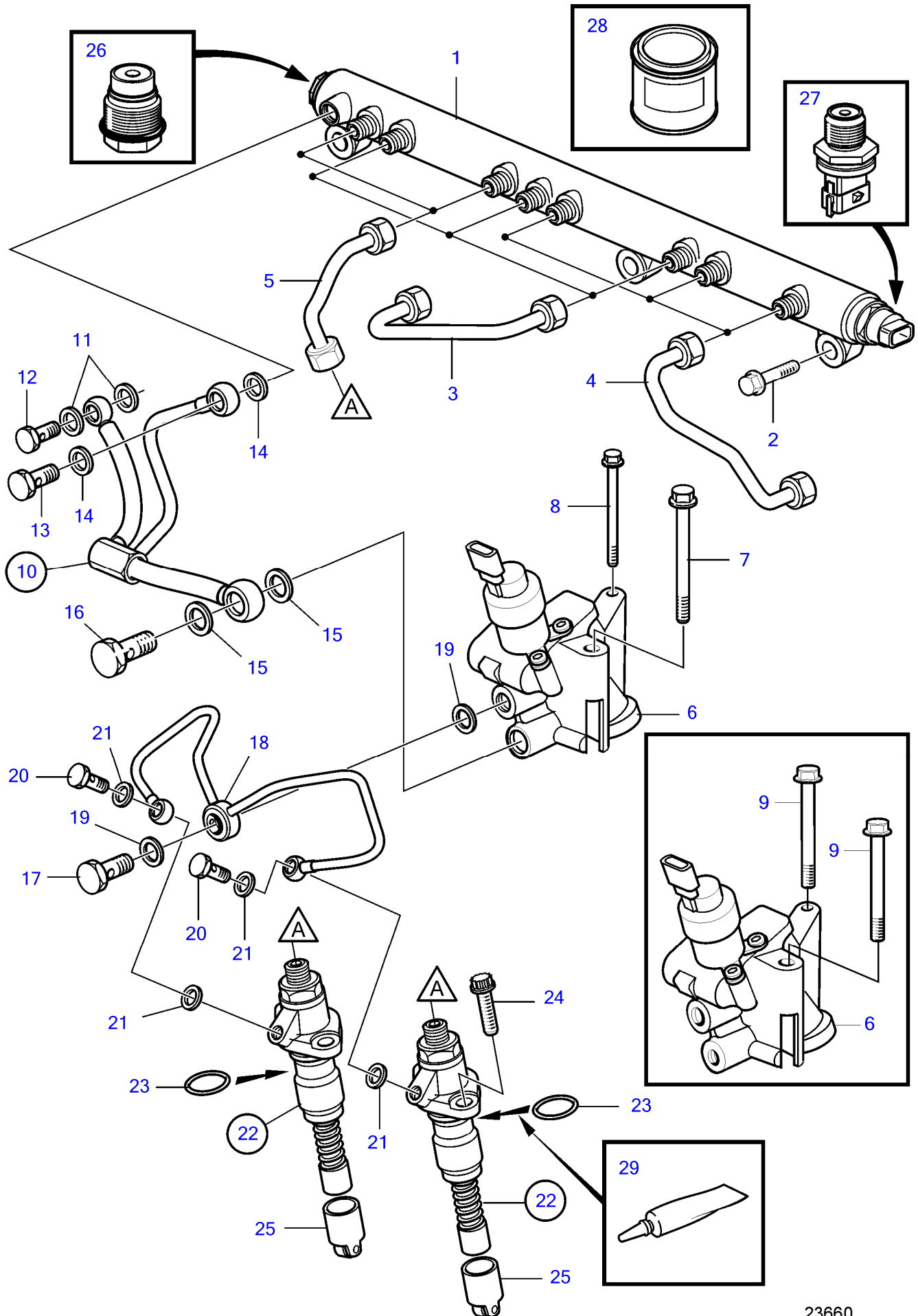
TAD734GE



TAD734GE

REF	PART NO.	QTY	DESCRIPTION	SEE SEC.	NOTES
1	20819221	1	Common rail		
2	20405504	3	Flange screw		
3	21009158	3	Fuel pipe		Cyl 1,2,3
4	21009157	3	Fuel pipe		Cyl 4,5,6
5	20794242	2	Pressure pipe		High pressure pump
6	20794130	1	Fuel regulator		Replaced by 20993071
	20993071	1	Fuel regulator		SN-5310428255
7	20792140	1	Flange screw		L=85mm
8	984741	1	Flange screw		L=75mm
9	20405723	2	Flange screw		L=75mm, Only together with 21638691
10	20792076	1	Fuel pipe		SN-5310428255
11	969011	2	• Gasket		
12	20460936	1	• Hollow screw		
13	25167	1	• Hollow screw		
14	969011	2	• Gasket		
15	947622	2	• Gasket		
16	20795864	1	• Hollow screw		L=28mm, SN-5310428255
17	25167	1	Hollow screw		
18	20794263	1	Fuel pipe		
19	969011	4	Gasket		
20	20460936	2	Hollow screw		
21	21108676	4	Sealing ring		
22	3801169	2	Injection pump, exch		
	21034766	2	High pressure unit		
	3801169	2	Injection pump, exch, exch		
23	20792162	2	• O-ring		
24	20793558	4	Flange screw		
25	20794110	2	Tappet		Replaced by 20795661
	20795661	2	Tappet		
26		1	Delivery valve	54158099	
27		1	Pressure sensor	54158099	
28	(21076487)	1	Grease		Obsolete part
29	21018254	1	Adjusting device		

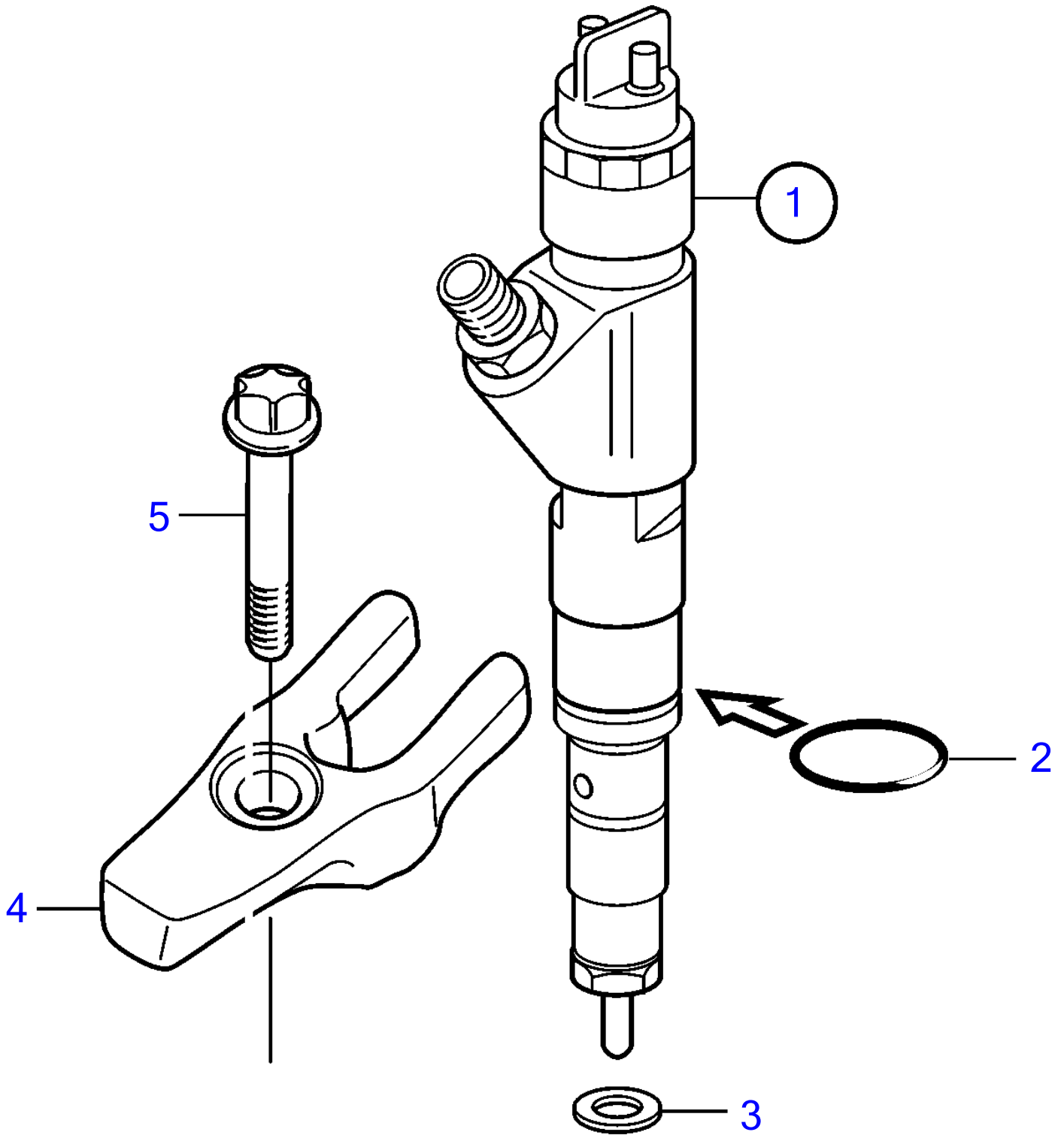
TAD734GE



TAD734GE

REF	PART NO.	QTY	DESCRIPTION	SEE SEC.	NOTES
1	20819221	1	Common rail		
2	20405504	3	Flange screw		
3	21009158	3	Fuel pipe		Cyl 1,2,3
4	21009157	3	Fuel pipe		Cyl 4,5,6
5	20794242	2	Pressure pipe		High pressure pump
6	21060258	1	Fuel regulator		SN-5310453784
	21103266	1	Fuel regulator		SN5310453785-SN5311038329
	21638691	1	Fuel regulator		SN5311038330-
7	20792140	1	Flange screw		L=85mm
8	984741	1	Flange screw		L=75mm
9	20405723	2	Flange screw		L=75mm, Only together with 21638691
10	21136325	1	Tube		SN5310428256-
11	21108676	2	• Sealing ring		
12	20460936	1	• Hollow screw		
13	25167	1	• Hollow screw		
14	969011	2	• Gasket		
15	947622	2	• Gasket		
16	993241	1	• Hollow screw		SN5310428256-, L=36mm
17	25167	1	Hollow screw		
18	21136310	1	Tube		
19	969011	4	Gasket		
20	20460936	2	Hollow screw		
21	21108676	4	Sealing ring		
22	3801169	2	Injection pump, exch		SN-5310608771
	21034766	2	High pressure unit		SN-5310608771
	3801169	2	Injection pump, exch, exch		SN-5310608771
	21103245	2	High-pressure pump		SN5310608772-
	3801283	2	Injection pump, exch		SN5310608772-
	3801283	2	Injection pump		SN5310608772-
23	20792162	2	• O-ring		
24	20793558	4	Flange screw		
25	20794110	2	Tappet		Replaced by 20795661
	20795661	2	Tappet		
26		1	Delivery valve	54158099	
27		1	Pressure sensor	54158099	
28	(21076487)	1	Grease		Obsolete part
29	21018254	1	Adjusting device		

TAD750GE, TAD751GE

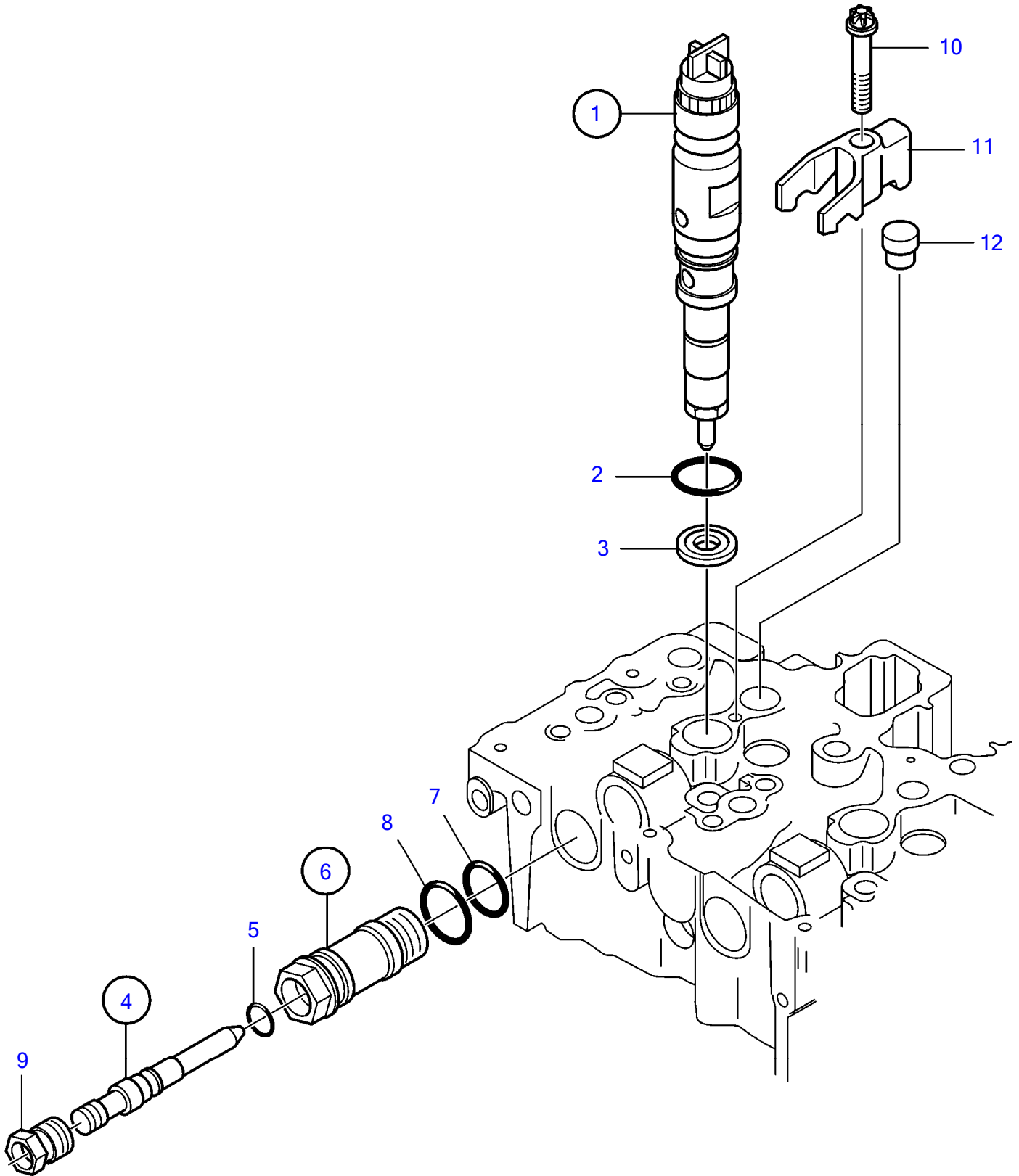


22769

TAD750GE, TAD751GE

REF	PART NO.	QTY	DESCRIPTION
1	20798114	1	Injector
	3803977	1	Injector, exch, exch
	3803977	1	Injector, exch
2	20798827	1	• O-ring
3	20799064	1	• Sealing ring
4	20827892	1	Claw
5	20799719	1	Six point screw

TAD752GE, TAD753GE, TAD754GE

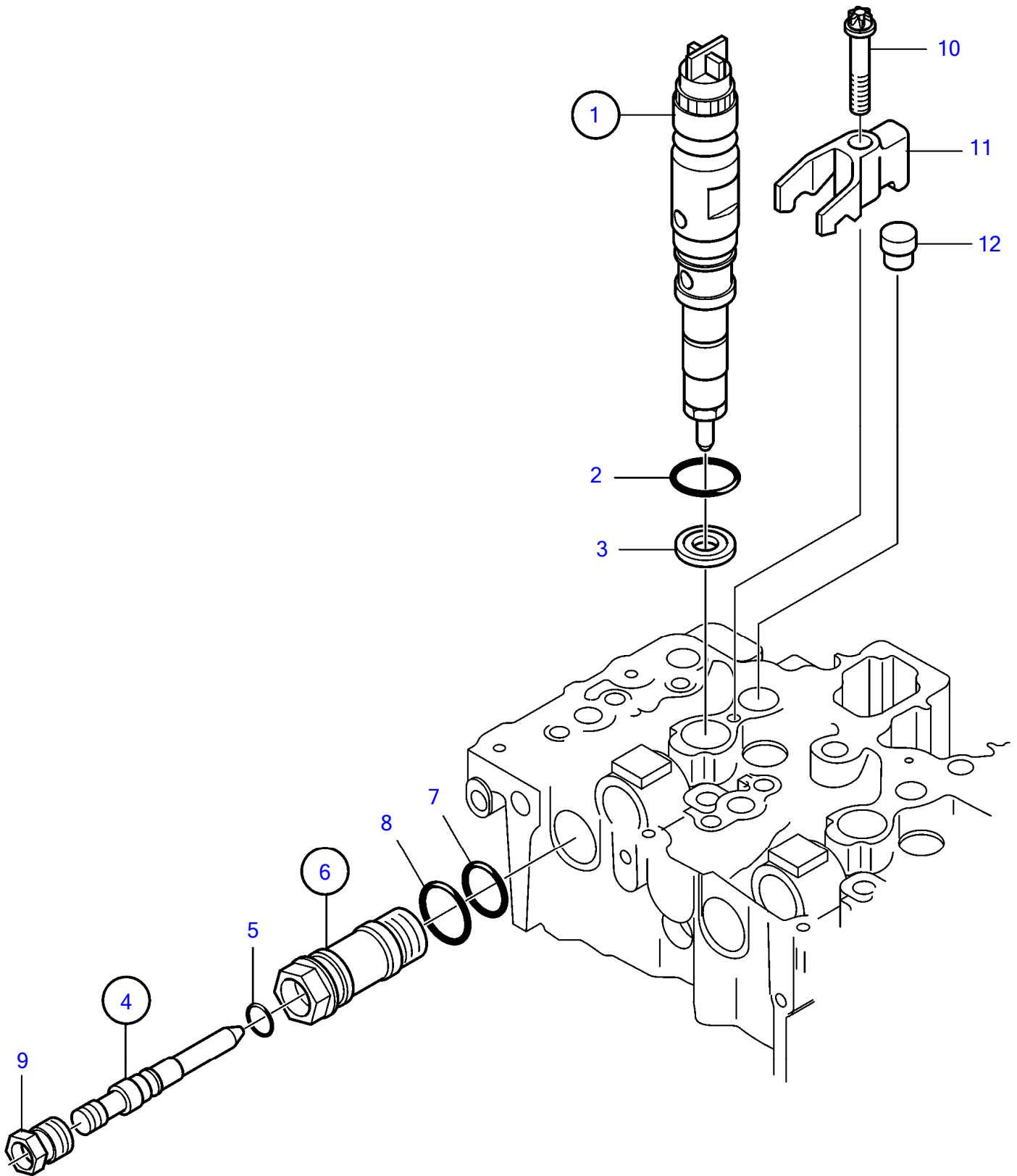


23656

TAD752GE, TAD753GE, TAD754GE

REF	PART NO.	QTY	DESCRIPTION
1	20795263	6	Injector
	3801246	6	Unit injector, exch, exch
	3801246	6	Unit injector, exch
2	20799119	1	• O-ring
3	20797983	1	Sealing washer
4	20795255	1	Conduit coupling
5	20799117	1	• O-ring
6	21491083	1	Delivery pipe
7	20939274	1	• O-ring
8	20939275	1	• O-ring
9	20795947	1	Adapter
10	20796898	1	Six point screw
11	21252581	1	Clamping shoe
12	20922444	1	Cover

TAD734GE

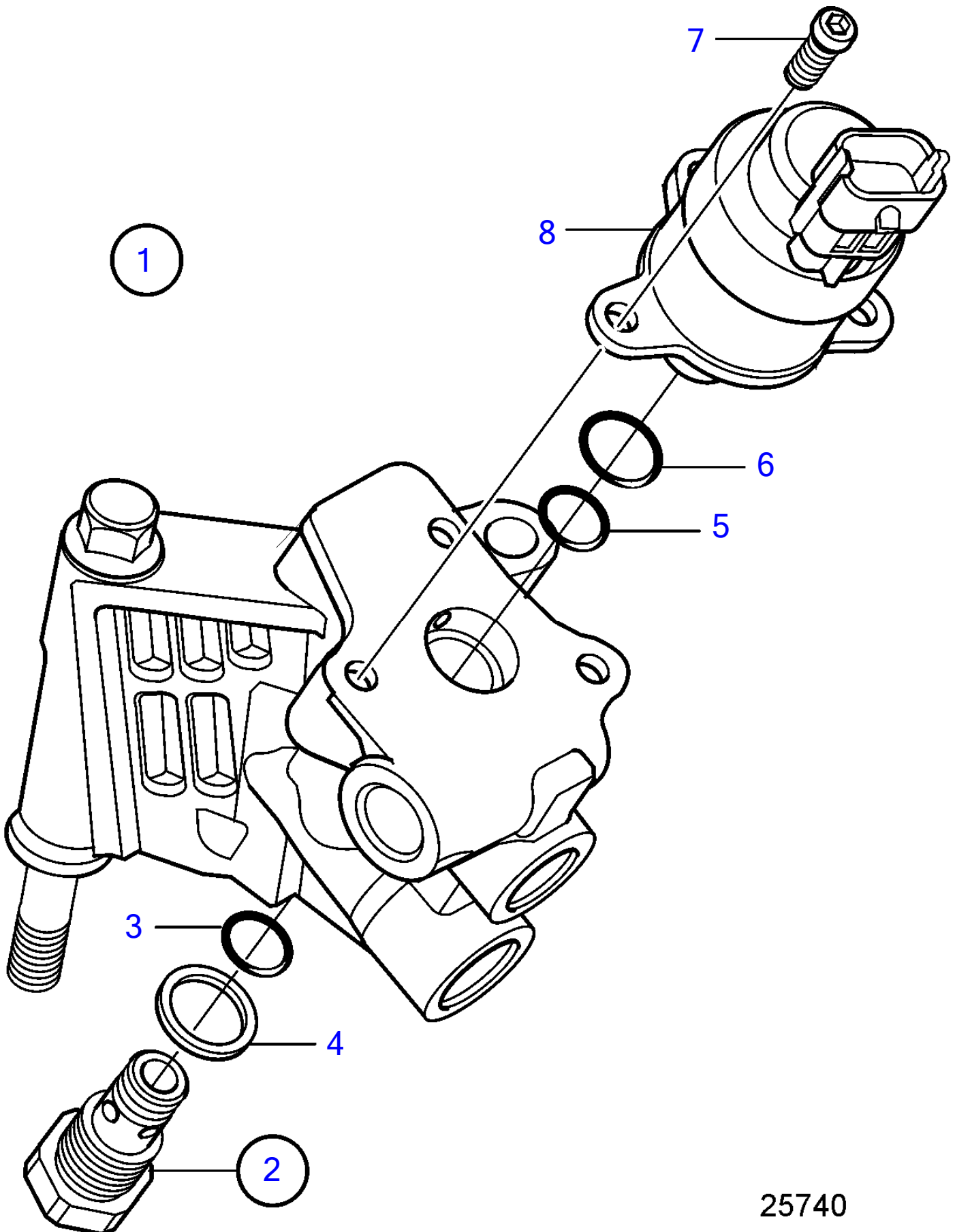


23656

TAD734GE

REF	PART NO.	QTY	DESCRIPTION
1	20795263	6	Injector
	3801246	6	Unit injector, exch, exch
	3801246	6	Unit injector, exch
2	20799119	1	• O-ring
3	20797983	1	Sealing washer
4	20795255	1	Conduit coupling
5	20799117	1	• O-ring
6	20795244	1	Pad
7	20939274	1	• O-ring
8	20939275	1	• O-ring
9	20795947	1	Adapter
10	20796898	1	Six point screw
11	20795274	1	Yoke
12	20922444	1	Cover

TAD734GE, TAD750GE, TAD751GE, TAD752GE, TAD753GE, TAD754GE

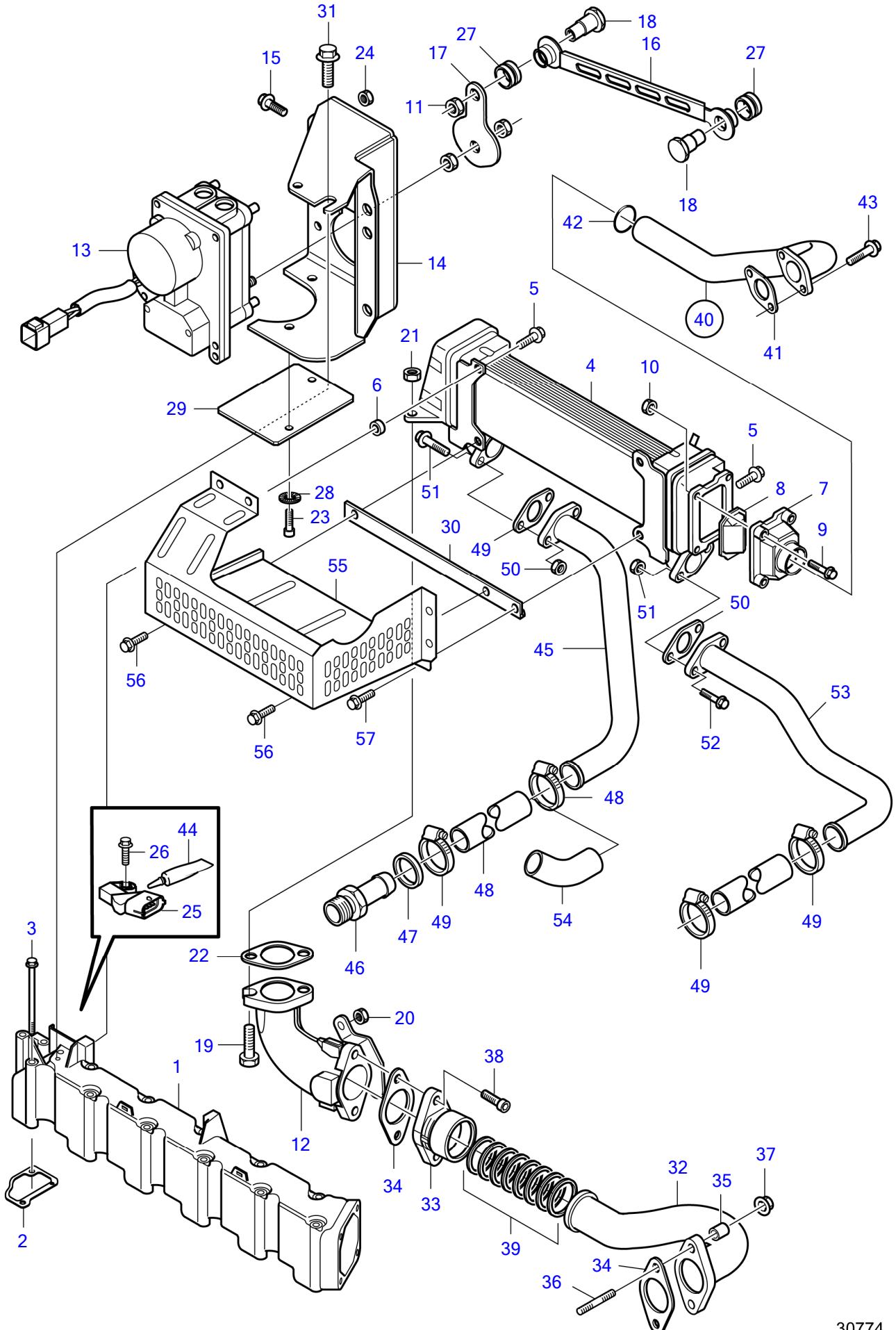


25740

TAD734GE, TAD750GE, TAD751GE, TAD752GE, TAD753GE, TAD754GE

REF	PART NO.	QTY	DESCRIPTION
1	21638691	1	Fuel regulator
2	21670181	1	• Overflow valve
3	21856211	1	• • O-ring
4	969011	1	• • Gasket
5	21670186	1	• O-ring
6	21670190	1	• O-ring
7	21738265	3	• Six point socket scr
8	21738263	1	Solenoid valve

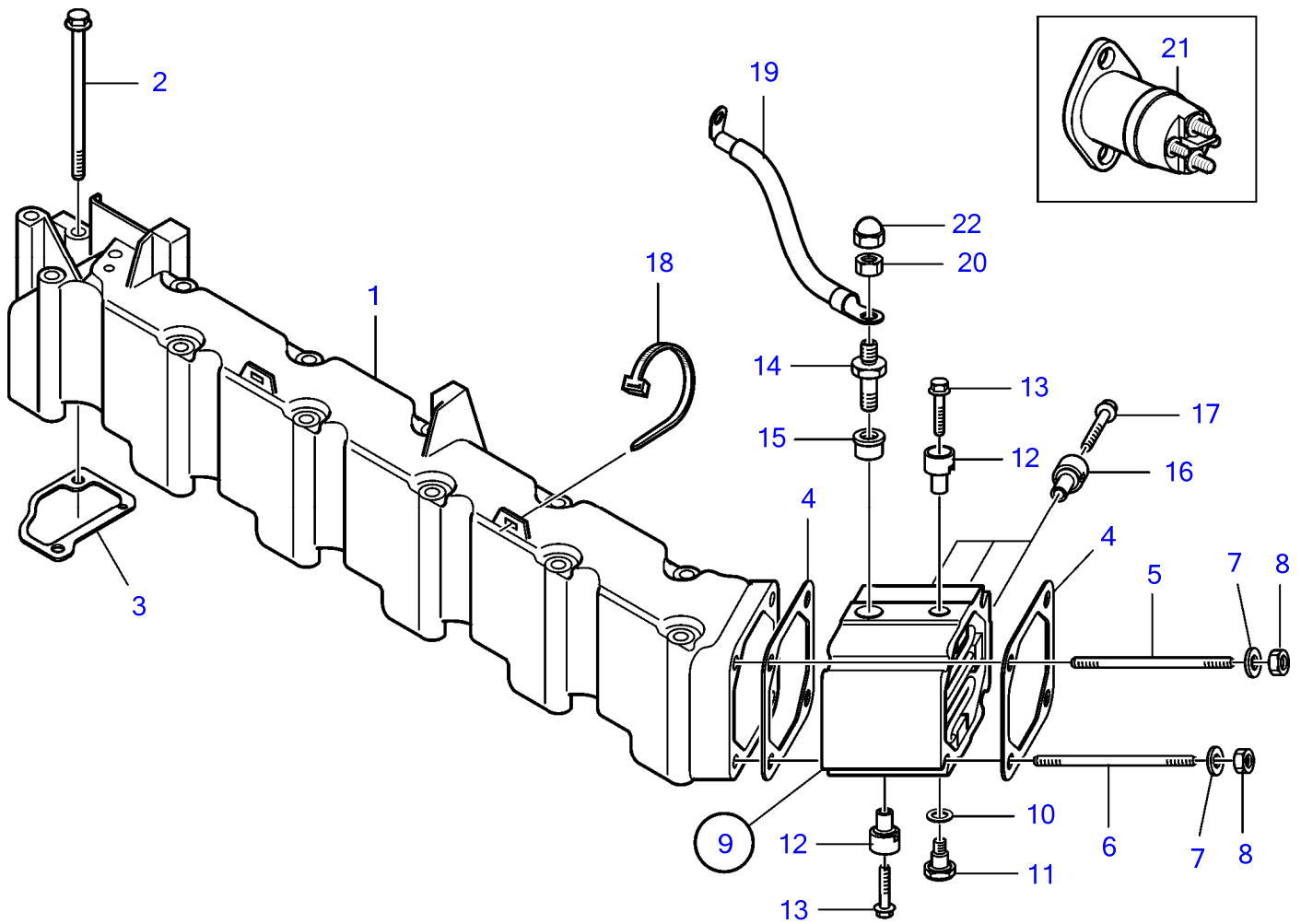
TAD752GE, TAD753GE, TAD754GE



30774

TAD752GE, TAD753GE, TAD754GE

REF	PART NO.	QTY	DESCRIPTION	NOTES
1	21523136	1	Inlet manifold	
2	20794356	6	Intake gasket	
3	20911617	12	Flange screw	
4	21668005	1	Egr cooler	Replaced by 22391771
	22391771	1	Egr cooler	Replaced by 23831041
	23831041	1	Egr cooler	
5	984738	4	Flange screw	
6	21668017	4	Spacer	
7	21668024	1	Housing	
8	21668027	1	Shuttle valve	
9	20797287	4	Flange screw	
10	20834102	4	Hexagon nut	
11	20501349	2	Hexagon nut	
12	21668031	1	Valve	
13	21668120	1	Actuator	
14	21668129	1	Bracket	
15	975197	2	Flange screw	
16	21668140	1	Control rod	
17	21668138	1	Intermediate lever	
18	21668613	2	Shoulder screw	
19	21668623	2	Hexagon screw	
20	21668616	2	Hexagon nut, protection hose	
21	20517048	2	Hexagon nut	
22	21664669	1	Gasket	
23	21752012	2	Hex. socket screw	
24		4	Flange nut	
25	21385453	1	Pressure sensor, outlet	
26	955271	1	Hexagon screw	
27	21668148	2	Compression spring	
28	21668630	2	Lock washer	
29	21668155	1	Cover plate	
30	21668156	1	Bracket	
31	20412324	1	Flange screw	
32	21664667	1	Pipe	
33	21664668	1	Flange	
34	21664669	2	Gasket	
35	21664672	2	Bushing	
36	21720349	2	Stud	
37	20517048	2	Hexagon nut	
38	21720348	2	Hex. socket screw	
39	21664674	8	Spring ring	
40	21669163	1	Pipe	
41	21664669	1	• Gasket	
42	21669167	1	• Gasket	
43	20512299	2	• Flange screw	
44	1161231	1	Sealant	
45	21781585	1	Coolant pipe	
46	20799929	1	Adapter	
47	20450898	1	Gasket	
48	21781602	2	Rubber hose	
49	21781558	4	Hose clamp	Replaced by 995901
	995901	4	Hose clamp	
50	21664636	2	Gasket	
51	20501349	4	Hexagon nut	
52	20512299	4	Flange screw	
53	21664514	1	Pipe	
54	21781596	1	Hose hook	
55	21697388	1	Heat shield	
56	60110707	2	Flange screw	
57	20859779	1	Flange screw	

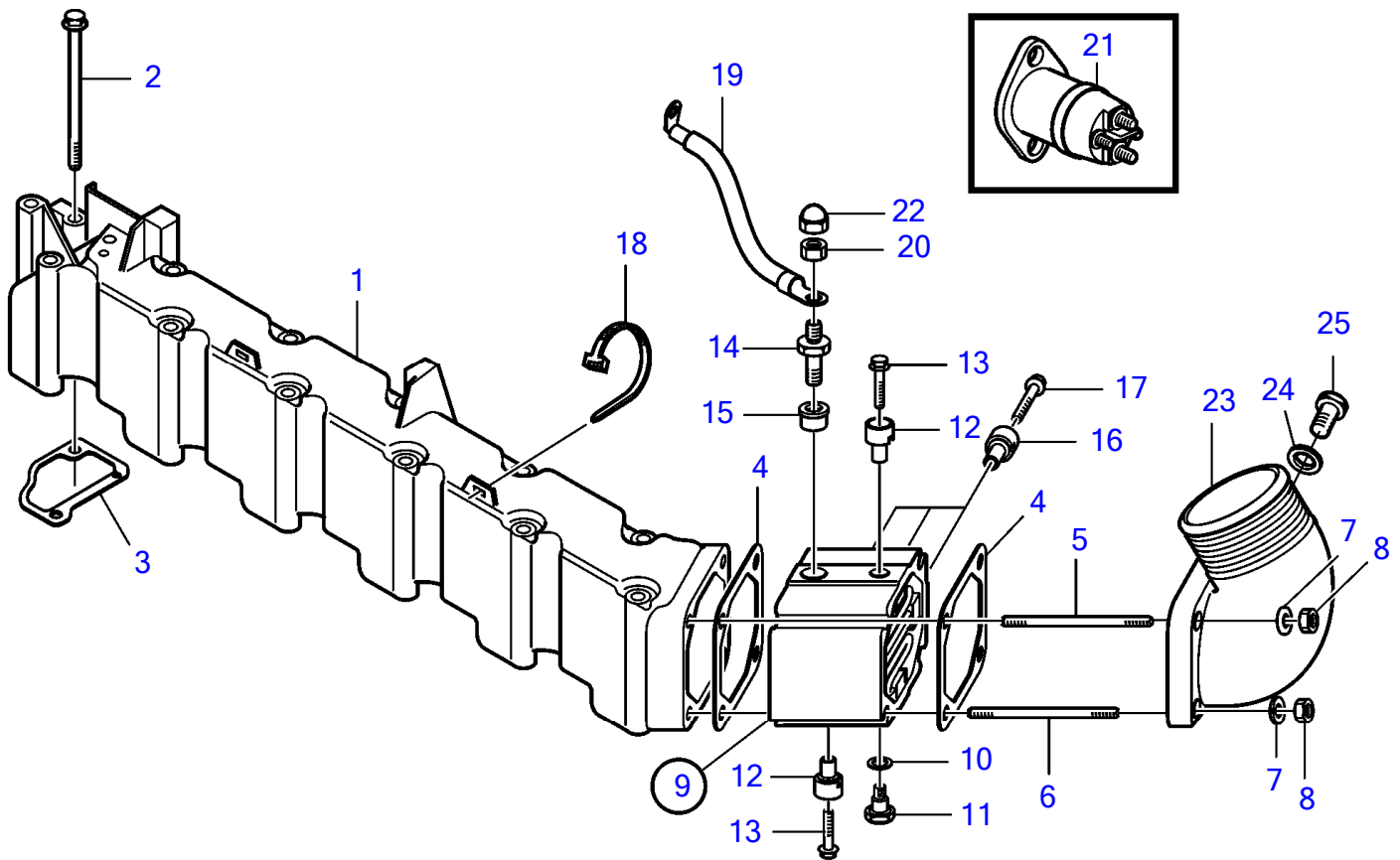


23686

TAD734GE

REF	PART NO.	QTY	DESCRIPTION	NOTES
1	20907454	1	Inlet manifold	SN-10560845
	21202397	1	Inlet manifold	SN10560846-
2	20911617	12	Flange screw	
3	20794356	6	Intake gasket	
4	20531832	2	Gasket	
5	21033681	2	Stud	L=180mm
6	21033683	2	Stud	L=130mm
	20858528	4	Stud	L=100mm, For 21073391
7	20460127	4	Washer	
8	20501349	4	Hexagon nut	
9	20758403	1	Heater	
10	20498524	1	• O-ring	
11	20498498	1	• Connector, minus	
12	20758437	2	• Insulator	
13	984735	2	• Flange screw	
14	20726089	1	• Connector, +pole	
15	20521558	3	• Insulator	
16	20550336	3	• Insulator	
17	20550356	3	• Flange screw	
18	20513984	5	Cable tie	
19	21034673	1	Cable	
20	20505959	1	Nut retainer	
21		1	Relay, starter element	
22	21088536	1	Cap	

TAD752GE, TAD753GE, TAD754GE

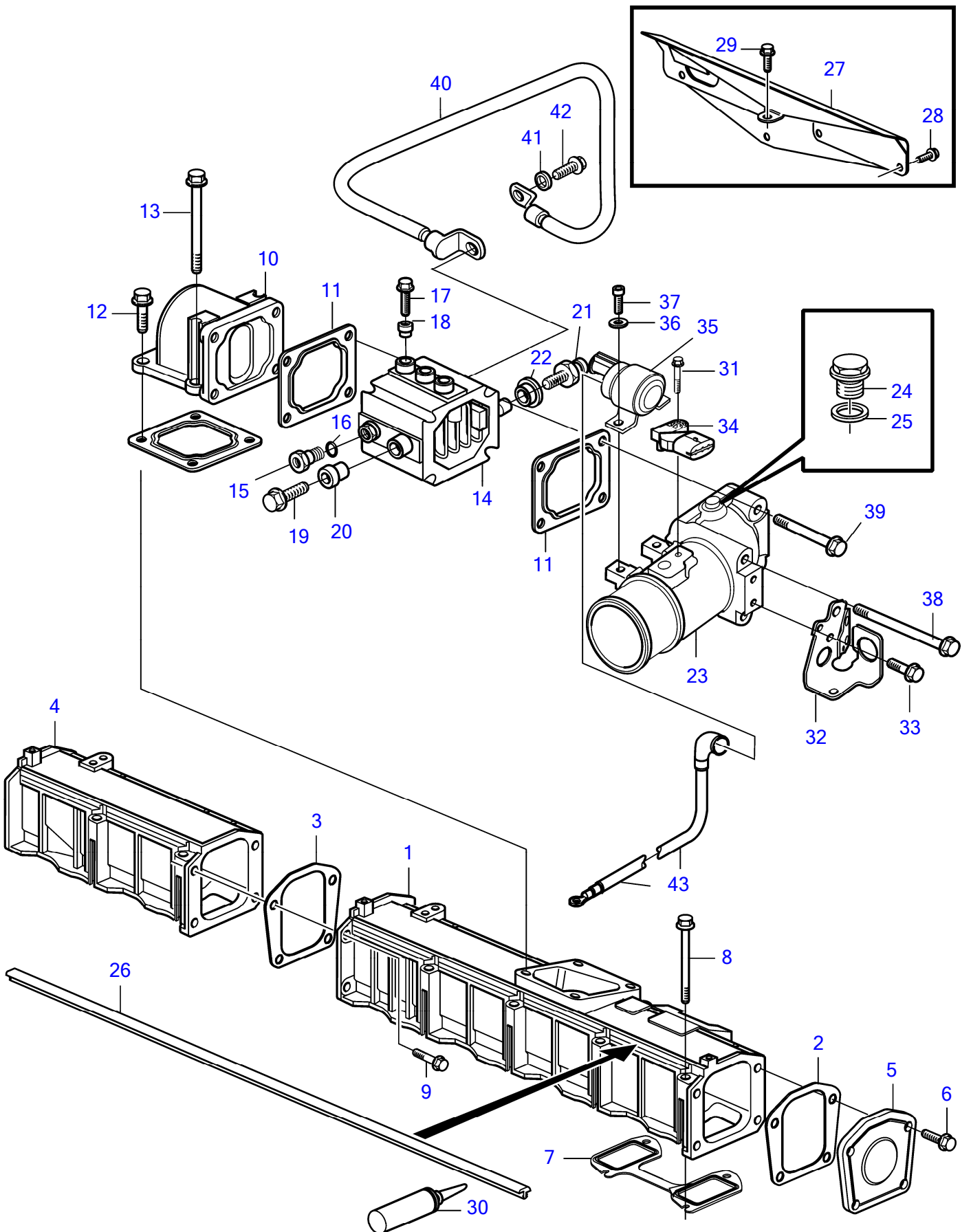


28183

TAD752GE, TAD753GE, TAD754GE

REF	PART NO.	QTY	DESCRIPTION	NOTES
1	21523136	1	Inlet manifold	
2	20911617	12	Flange screw	
3	20794356	6	Intake gasket	
4	20531832	2	Gasket	
5	21033681	2	Stud	L=180mm
6	21033683	2	Stud	L=130mm
	20858528	4	Stud	L=100mm, For 21073391
7	60110714	4	Washer	
8	990940	4	Flange nut	
9	20585825	1	Flange	Without Heater
	20758403	1	Heater	24V
10	20498524	1	• O-ring	
11	20498498	1	• Connector, minus	
12	20758437	2	• Insulator	
13	984735	2	• Flange screw	
14	21638698	1	• Connector, +pole	
15	20521558	3	• Insulator	
16	20550336	3	• Insulator	
17	20550356	3	• Flange screw	
18	20513984	5	Cable tie	
19	21034673	1	Cable	
20	20505959	1	Nut retainer	
21		1	Relay, starter element	
22	21088536	1	Cap	
23	21669959	1	Pipe	
24	21033247	1	Gasket	
25	888774		Plug	

TAD750GE, TAD751GE

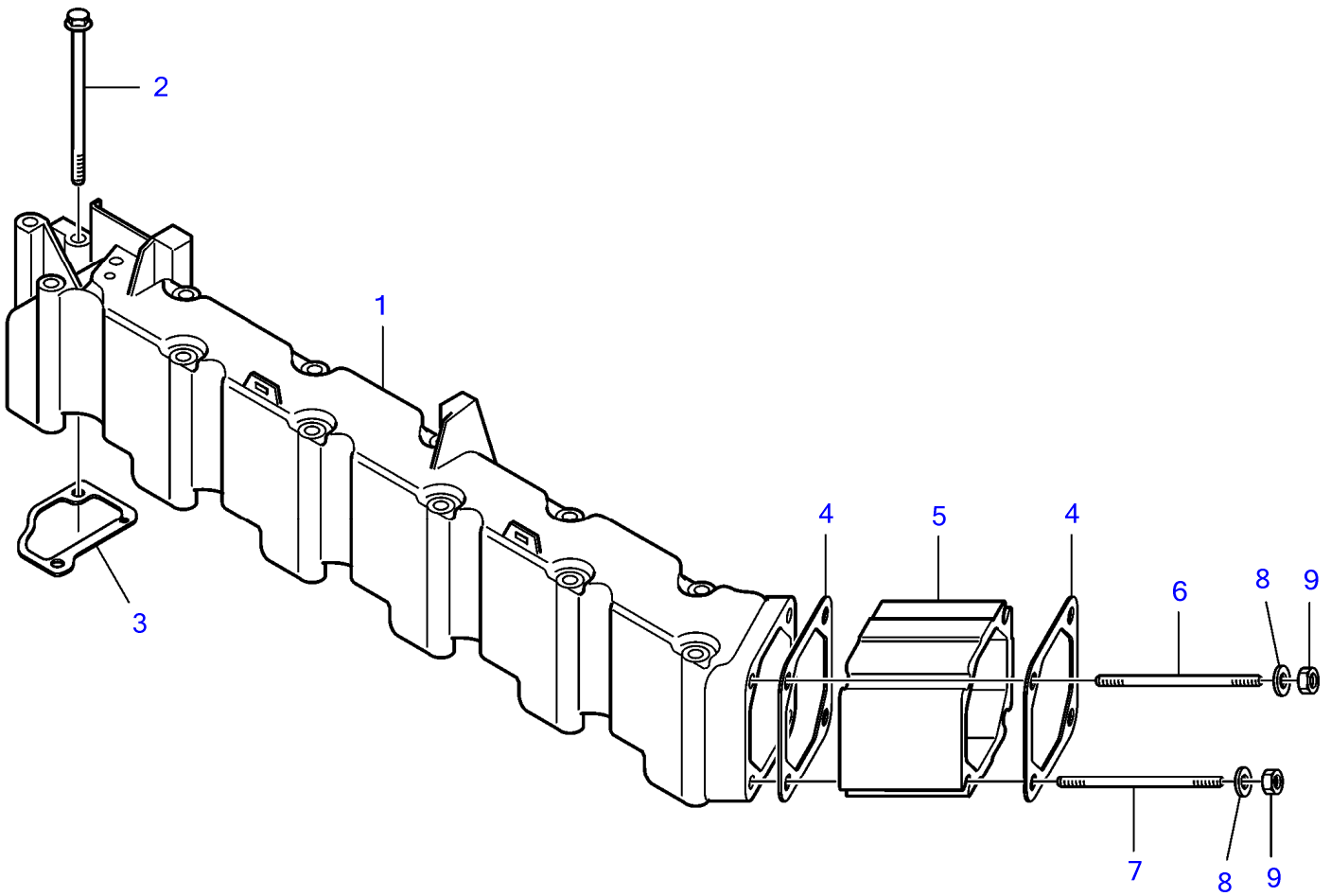


28184

TAD750GE, TAD751GE

REF	PART NO.	QTY	DESCRIPTION	NOTES
1	21011717	1	Charge air pipe	
2	20405613	1	Gasket	
3	21333188	1	Gasket	
4	20792899	1	Inlet manifold	SN-11761352, Replaced by 22444131
	22444131	1	Charge air pipe	SN11761353-
5	20405614	1	Cover	
6	984733	4	Flange screw	
7	20591706	3	Gasket	
8	20412601	12	Flange screw	
9	20459228	4	Flange screw	
10	20459938	1	Elbow	
11	20531832	2	Gasket	
12	946671	4	Flange screw	
13	996778	2	Flange screw	
14	20585825	1	Flange	Without Heater
	20758403	1	Heater, 24V	
15	21638698	1	Connector	
16	20498524	1	O-ring	
17	20550356	5	Flange screw	
18	20550336	1	Insulator	
19	20512299	2	Flange screw	
20	20758437	2	Insulator	
21	20726089	1	Connector	
22	20521558	1	Insulator	
23	22328869	1	Charge air pipe, v-clamp	
24	888774	1	• Plug	
25	21033247	1	• Gasket	
26	20996748	1	Sealing strip	
27	20856724	1	Heat shield	
28	984733	4	Flange screw	
29	20405898	1	Flange screw	
30	1161231	1	Sealant	
31	955271	1	Hexagon screw	
32		1	Bracket	
33	946440	2	Flange screw	
34	21385453	1	Pressure sensor	
35	21311705	1	Relay	
36	20768671	2	Washer	
37	996810	2	Hex. socket screw	Replaced by 20405729
	20405729	2	Hexagon screw	Replaced by 967949
	967949	2	Flange screw	Replaced by 994442
	994442	2	Flange screw	
38	22329289	2	Flange screw	
39	20911617	2	Flange screw	
40	21889019	1	Cable	
41	20460127	1	Washer	
42	60110707	1	Flange screw	
43	21888999	1	Cable	With Fuse 150A, Relay-Alternator

TAD734GE

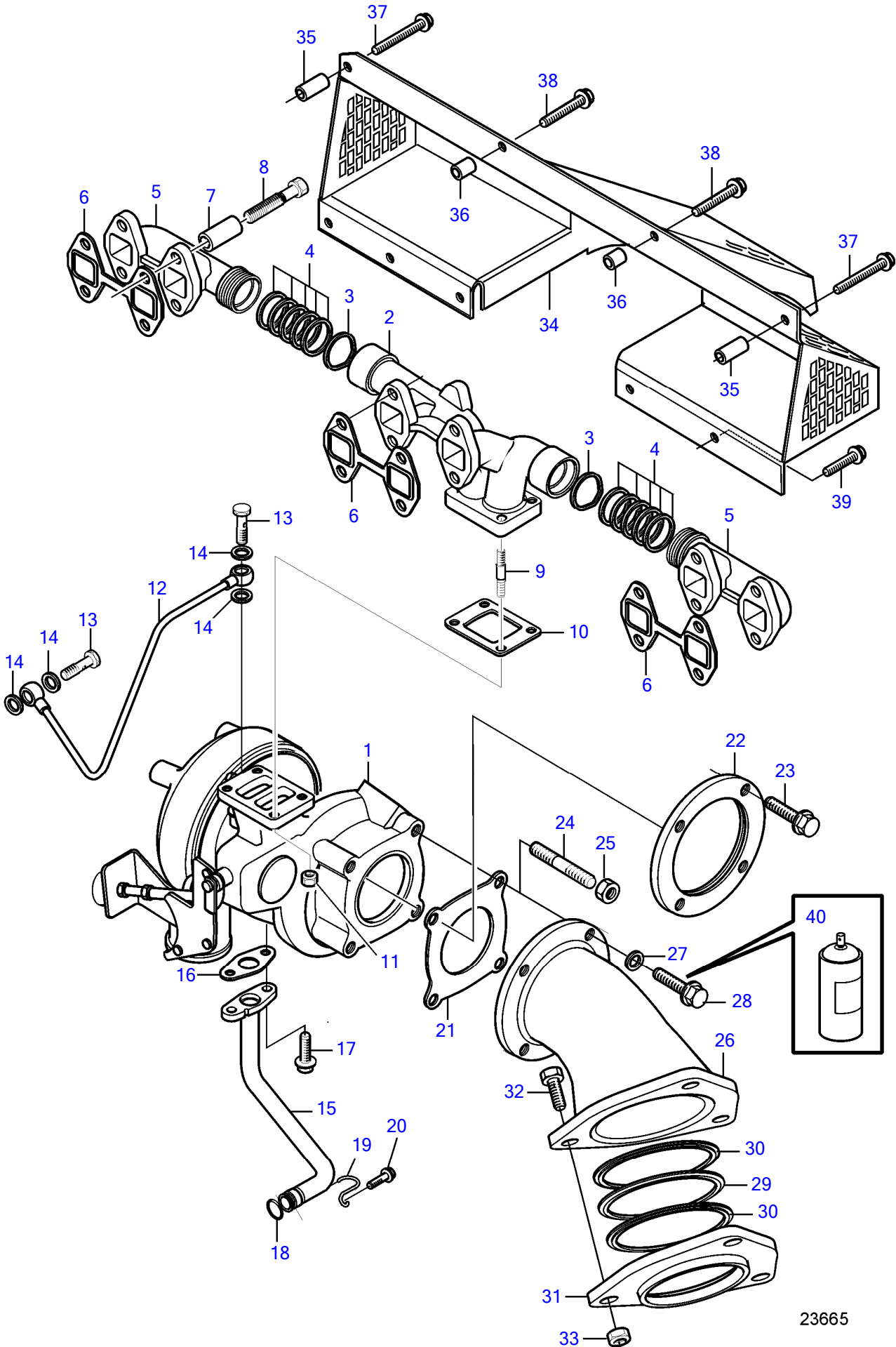


23661

TAD734GE

REF	PART NO.	QTY	DESCRIPTION	NOTES
1	20907454	1	Inlet manifold	SN-10560845
	21202397	1	Inlet manifold	SN10560846-
2	20911617	12	Flange screw	
3	20794356	6	Intake gasket	
4	20531832	2	Gasket	
5	20585825	1	Flange	
6	21033681	2	Stud	L=180mm
7	21033683	2	Stud	L=130mm
	20858528	4	Stud	L=100mm, For 21073391
8	20460127	4	Washer	
9	20501349	4	Hexagon nut	

TAD734GE

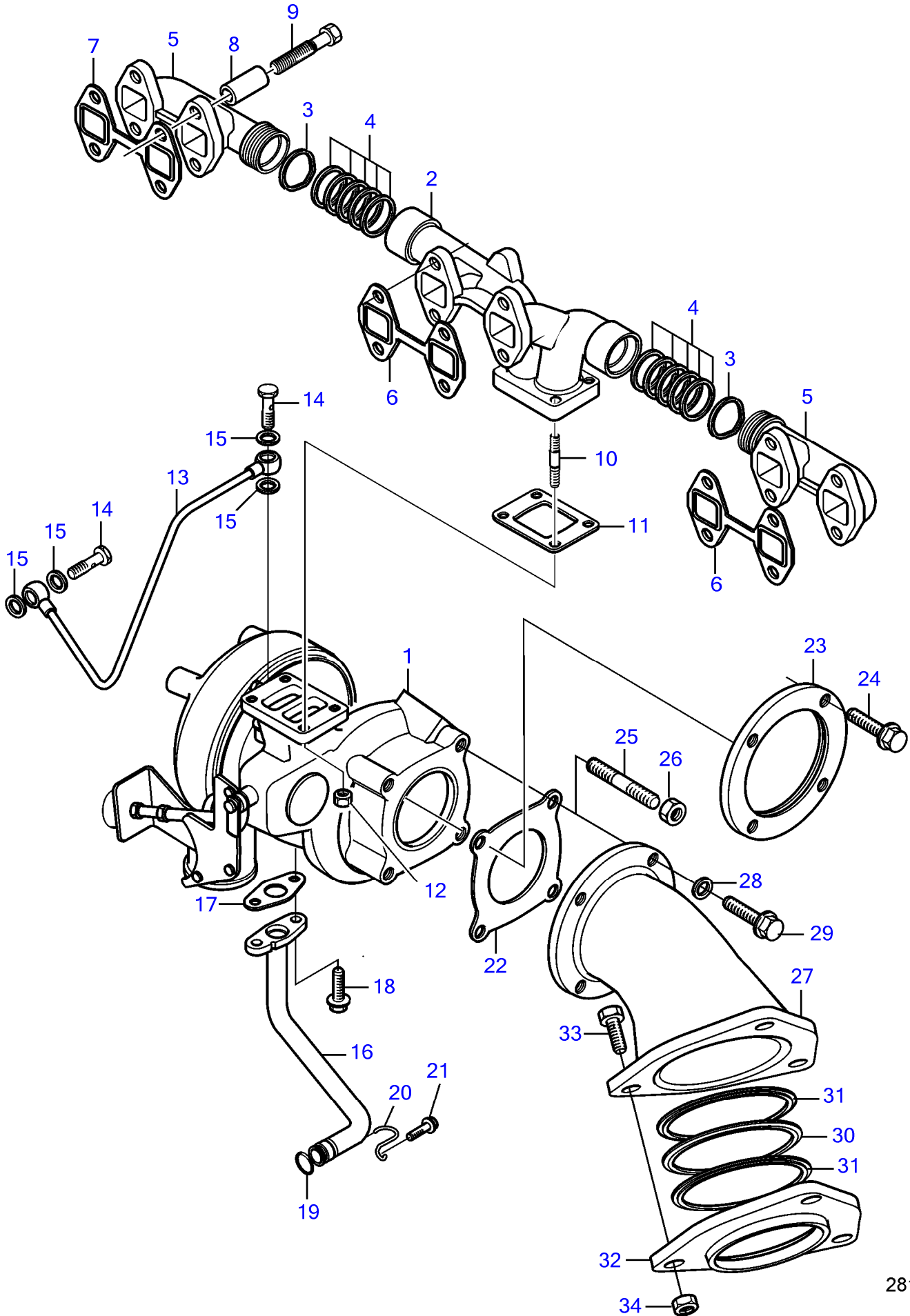


23665

TAD734GE

REF	PART NO.	QTY	DESCRIPTION	NOTES
1	21034252	1	Turbocharger	
	3801163	1	Turbocharger, exch	
	3801163	1	Turbocharger, exch	
2	21033226	1	Exhaust pipe	
3	20766219	2	Spring washer	
4	20799706	10	Spring washer	
5	20860681	2	Exhaust manifold	
6	20911633	3	Plane gasket	
7	20766216	12	Spacer sleeve	
8	20766217	12	Flange screw	
9	20921238	4	Stud	
10	20559835	1	Gasket	
11	20412308	4	Hexagon nut	
12	21086727	1	Oil line	
13	25167	2	• Hollow screw	
14	969011	4	• Gasket	
15	21033967	1	Oil line	
16	20405790	1	Plane gasket	
17	984734	2	Flange screw	
18	20405822	1	O-ring	
19	20405789	1	Retainer	
20	20405792	1	Flange screw	
21	20792408	1	Gasket	
22	21034013	1	Flange	
23	20405874	4	Flange screw	
24	20799733	4	Stud	
25	20412308	4	Hexagon nut	
26	21033993	1	Exhaust pipe elbow	
27	20773400	4	Washer	
28	20405874	4	Flange screw	
29	21034305	1	Sealing ring	
30	21034332	2	Gasket	
31	21034301	1	Flange	
32	21034319	3	Hexagon screw	
33	20882929	3	Hexagon nut	
34	21136738	1	Heat shield, branch pipe	SN10407461-
35	21136725	2	Sleeve	
36	21136737	2	Sleeve	
37	973924	2	Flange screw	
38	20412324	2	Flange screw	
39	20405792	5	Flange screw	
40	(21076484)	1	Adhesive	Obsolete part

TAD754GE

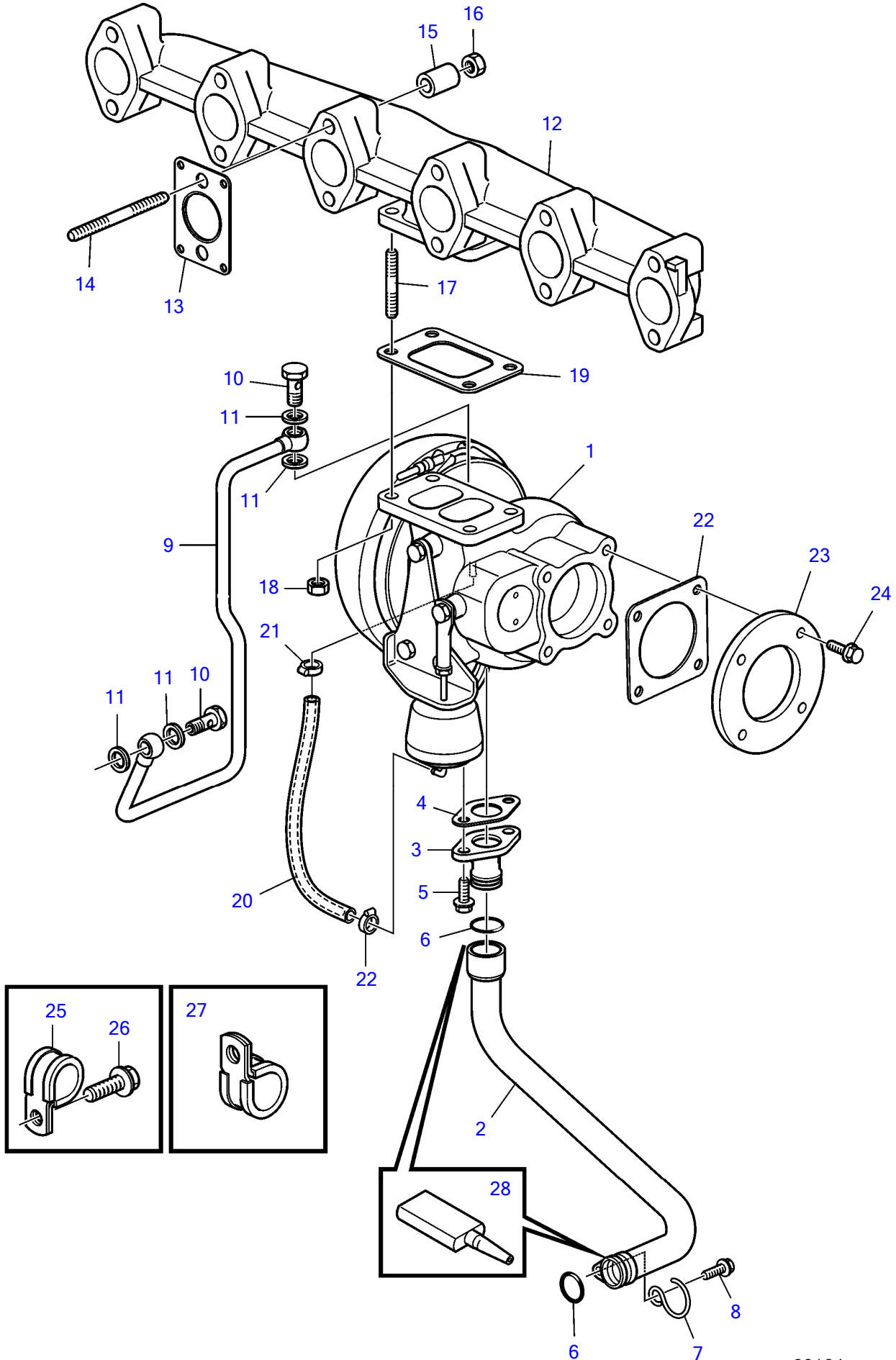


28115

TAD754GE

REF	PART NO.	QTY	DESCRIPTION
1	21034252	1	Turbocharger
	3801163	1	Turbocharger, exch
	3801163	1	Turbocharger, exch
2	21697343	1	Exhaust pipe
3	20766219	2	Spring washer
4	20799706	10	Spring washer
5	20860681	2	Exhaust manifold
6	20911633	2	Plane gasket
7	21697351	1	Gasket
8	20766216	12	Spacer sleeve
9	20766217	12	Flange screw
10	20921238	4	Stud
11	20559835	1	Gasket
12	20412308	4	Hexagon nut
13	21086727	1	Oil line
14	25167	2	• Hollow screw
15	969011	4	• Gasket
16	21033967	1	Oil line
17	21242584	1	Plane gasket
18	975197	2	Flange screw
19	20405822	1	O-ring
20	21524802	1	Hook
21	984733	1	Flange screw
22	20792408	1	Gasket
23	21034013	1	Flange
24	20405874	4	Flange screw
25	20921238	4	Stud
26	20412308	4	Hexagon nut
27	21033993	1	Exhaust pipe elbow
28	20773400	4	Washer
29	20801195	4	Screw
30	21034305	1	Sealing ring
31	21034332	2	Gasket
32	21034301	1	Flange
33	21034319	3	Hexagon screw
34	20882929	3	Hexagon nut

TAD750GE, TAD751GE

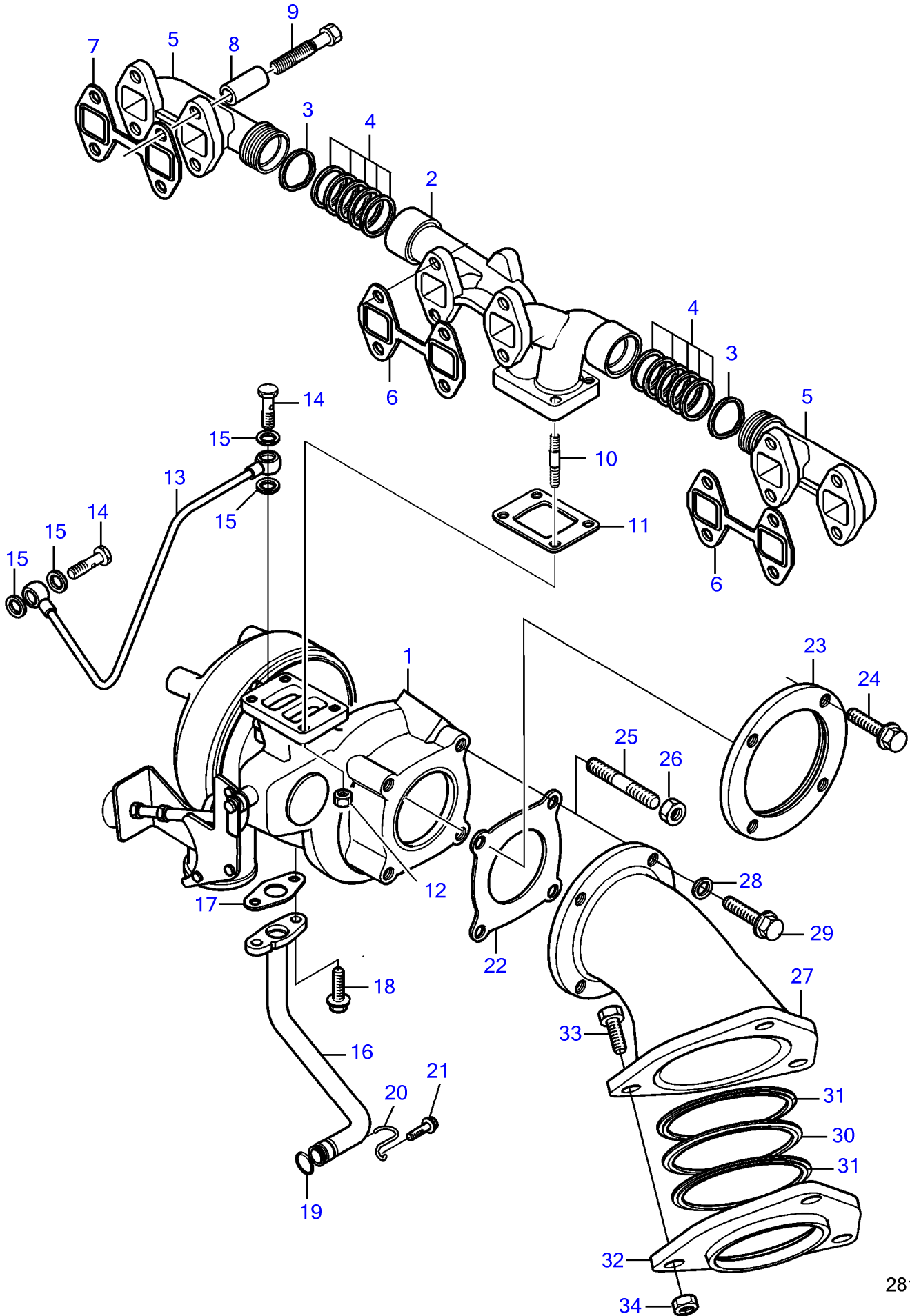


28124

TAD750GE, TAD751GE

REF	PART NO.	QTY	DESCRIPTION
1	20795674	1	Turbocharger
	3802195	1	Turbocharger, exch
2	20916677	1	Return line
3	20801403	1	Flange
4	20405790	1	Plane gasket
5	975197	2	Flange screw
6	20405822	2	O-ring
7	21524802	1	Hook
8	984733	1	Flange screw
9	20903738	1	Lubricant line
10	25167	2	Hollow screw
11	969011	4	Gasket
12	20534529	1	Exhaust manifold
13	20933261	6	Plane gasket
14	21456567	12	Stud
15	20847865	12	Spacer sleeve
16	20505959	12	Nut retainer
17	20990106	4	Stud
18	20412308	4	Hexagon nut
19	20559835	1	Gasket
20	20914531	1	Protecting hose, protection hose
21	20405568	2	Hose clamp
22	20792408	1	Gasket
23	21034013	1	Flange
24	20405874	4	Flange screw
25	20916686	1	Clamp
26	984733	1	Flange screw
27	20916692	1	Clamp
28	1161231	1	Sealant

TAD752GE, TAD753GE

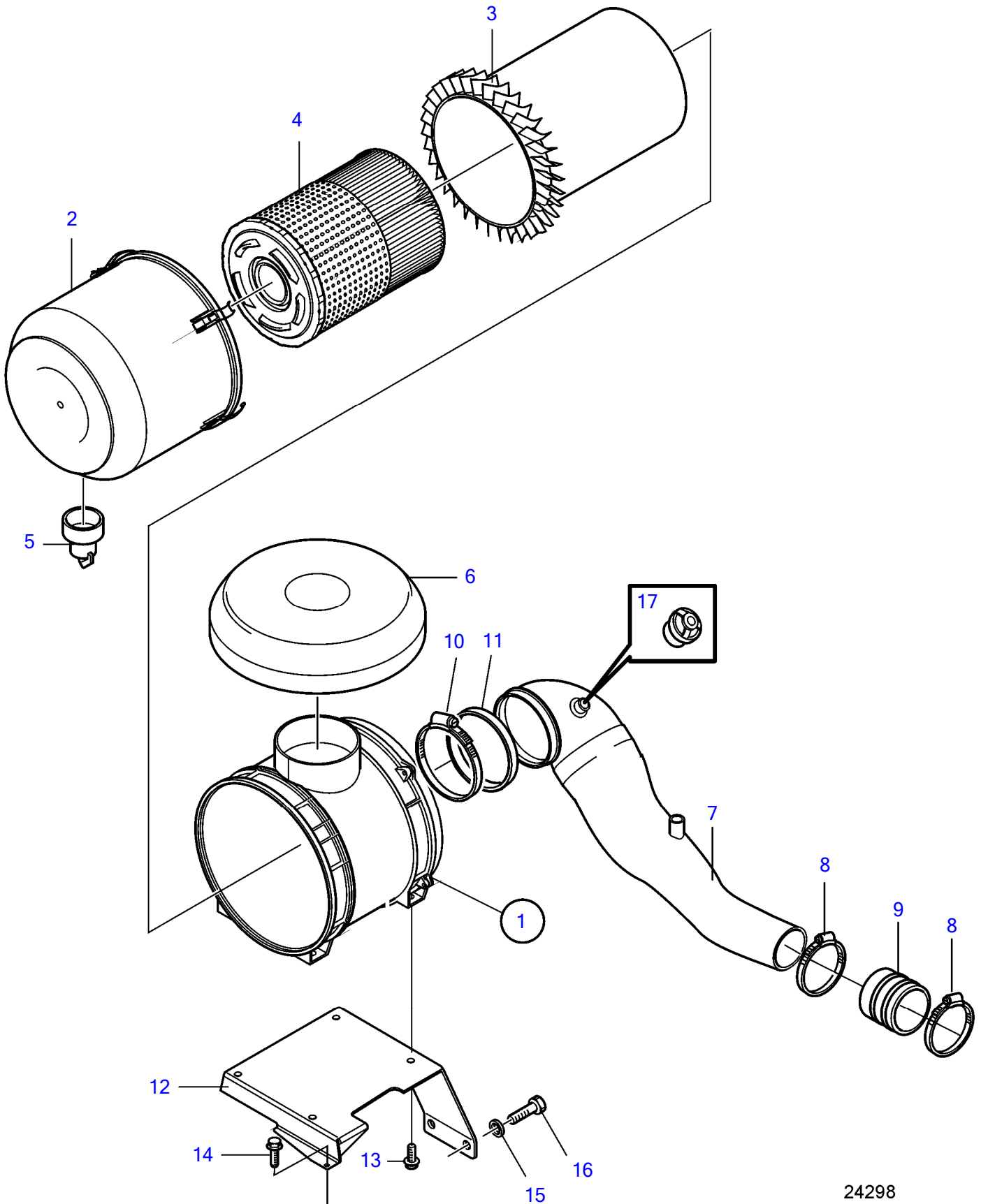


28114

TAD752GE, TAD753GE

REF	PART NO.	QTY	DESCRIPTION
1	21697333	1	Turbocharger
	3801468	1	Turbocharger, exch
2	21493933	1	Exhaust pipe
3	20766219	2	Spring washer
4	20799706	10	Spring washer
5	20860681	2	Exhaust manifold
6	20911633	2	Plane gasket
7	21697351	1	Gasket
8	20766216	12	Spacer sleeve
9	20766217	12	Flange screw
10	20921238	4	Stud
11	20559835	1	Gasket
12	20412308	4	Hexagon nut
13	21086727	1	Oil line
14	25167	2	• Hollow screw
15	969011	4	• Gasket
16	21033967	1	Oil line
17	21242584	1	Plane gasket
18	975197	2	Flange screw
19	20405822	1	O-ring
20	21524802	1	Hook
21	984733	1	Flange screw
22	20792408	1	Gasket
23	21034013	1	Flange
24	20405874	4	Flange screw
25	20921238	4	Stud
26	20412308	4	Hexagon nut
27	21033993	1	Exhaust pipe elbow
28	20773400	4	Washer
29	20801195	4	Screw
30	21034305	1	Sealing ring
31	21034332	2	Gasket
32	21034301	1	Flange
33	21034319	3	Hexagon screw
34	20882929	3	Hexagon nut

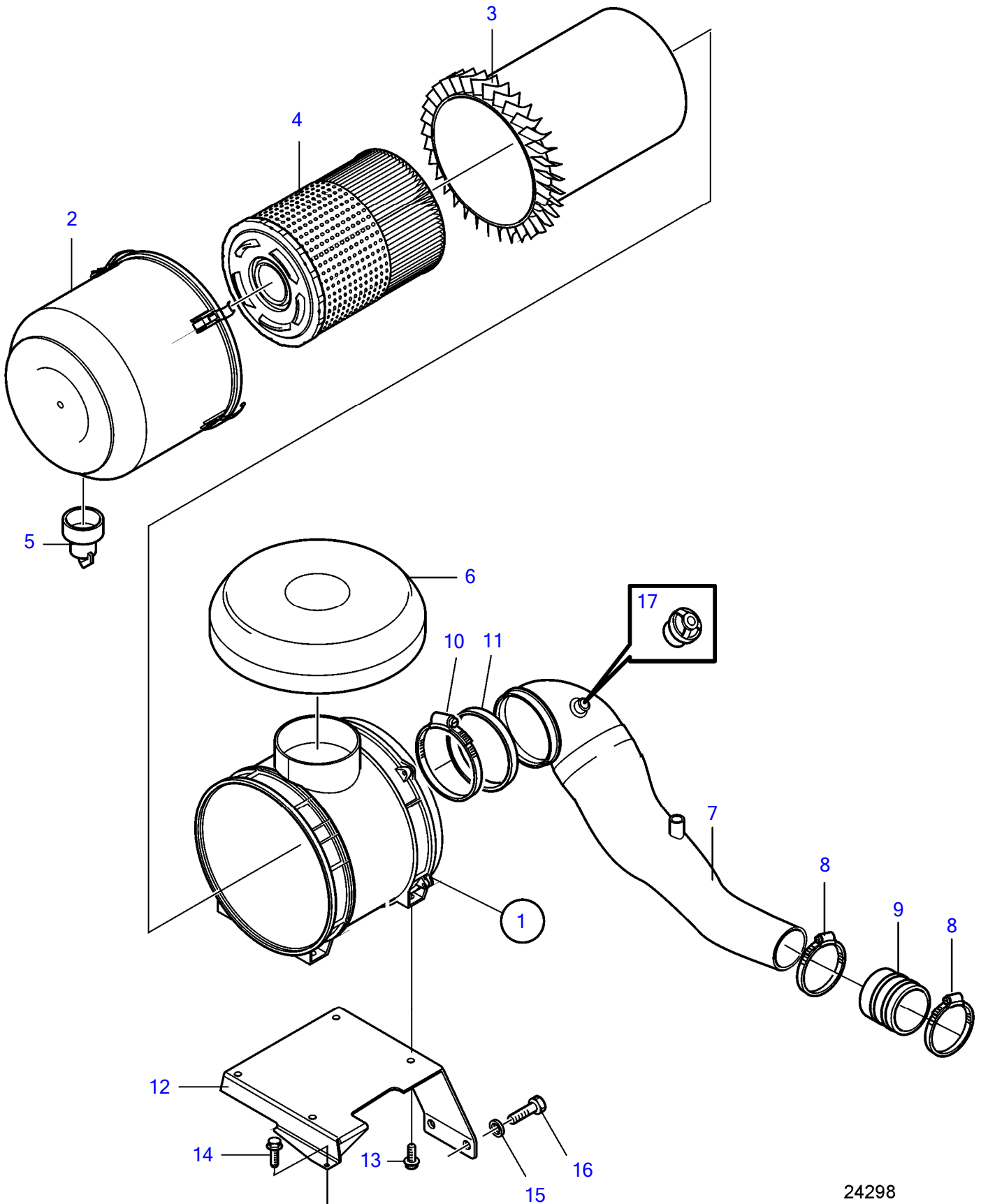
TAD734GE



TAD734GE

REF	PART NO.	QTY	DESCRIPTION	NOTES
1	21020090	1	Air filter	
2		1	•	
3		1	•	
4	21020091	1	• Air filter	Replaced by 21377909
	21377909	1	Filter insert	
5	20585674	1	• Dust ejector	
6	21034049	1	Filter cap	
7	21184829	1	Inlet manifold	Replaced by 21568461
	21568461	1	Inlet manifold	SN-11852009
	22940758	1	Inlet manifold	SN11852010-
8	20773425	2	Hose clamp	
9	21189994	1	Rubber hose	
10	21184843	1	Hose clamp	
11	21184838	1	Gasket	
12	21140359	1	Bracket	
13	970947	4	Hexagon screw	
14	984733	1	Flange screw	
15	976944	2	Washer	
16	20796824	2	Hexagon screw	Replaced by 21033902
	21033902	2	Hexagon screw	
17	20591964	1	Sensor	

TAD752GE, TAD753GE, TAD754GE

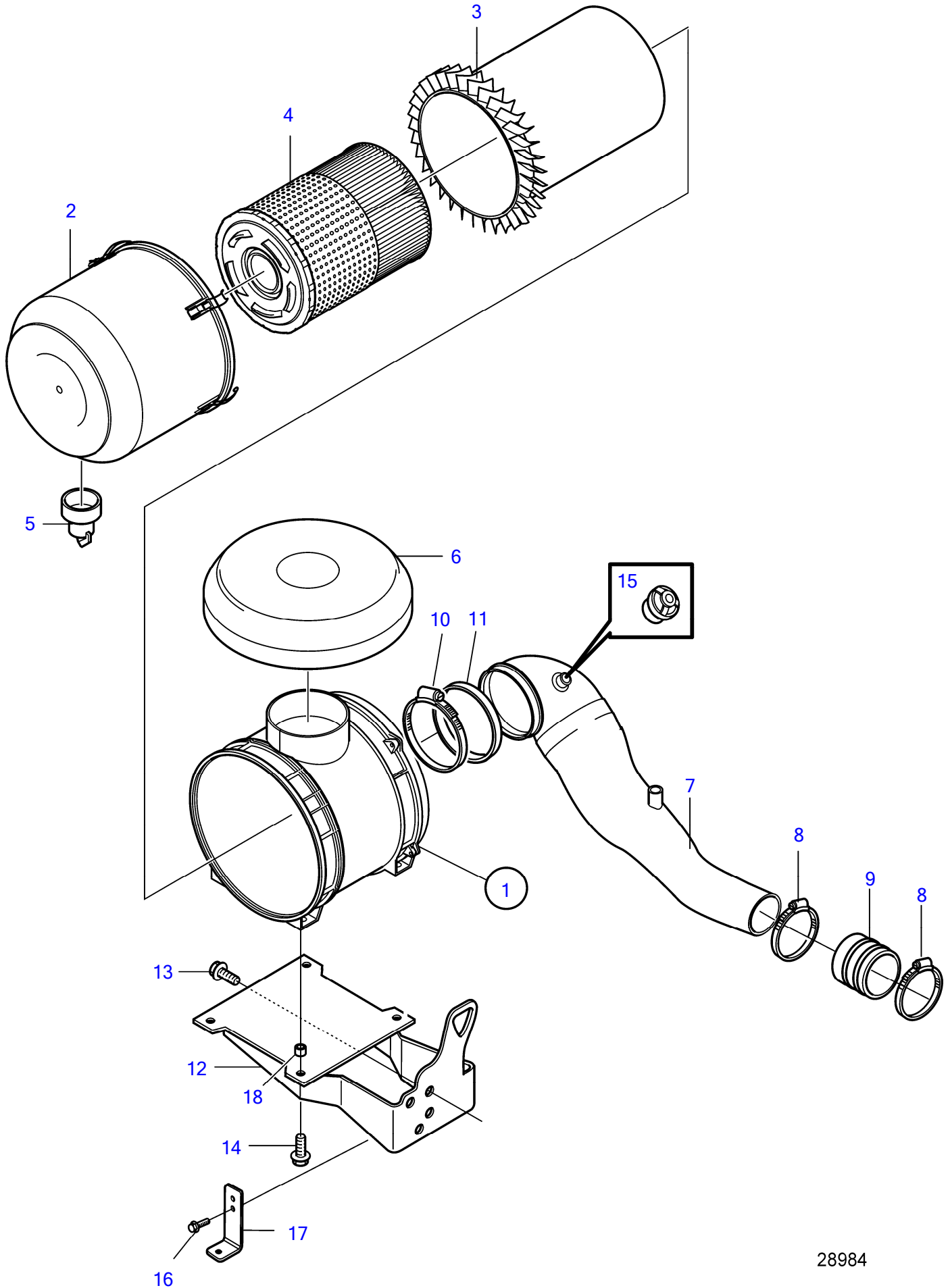


24298

TAD752GE, TAD753GE, TAD754GE

REF	PART NO.	QTY	DESCRIPTION	NOTES
1	21020090	1	Air filter	
2		1	•	
3		1	•	
4	21377909	1	• Filter insert	
5	20585674	1	• Dust ejector	
6	21034049	1	Filter cap	
7	21568461	1	Inlet manifold	SN-11852009
	22940758	1	Inlet manifold	SN11852010-
8	20773425	2	Hose clamp	
9	21189994	1	Rubber hose	
10	21184843	1	Hose clamp	
11	21184838	1	Gasket	
12	21140359	1	Bracket	
13	970947	4	Hexagon screw	
14	984733	1	Flange screw	
15	976944	2	Washer	
16	21033902	2	Hexagon screw	
17	20591964	1	Sensor	

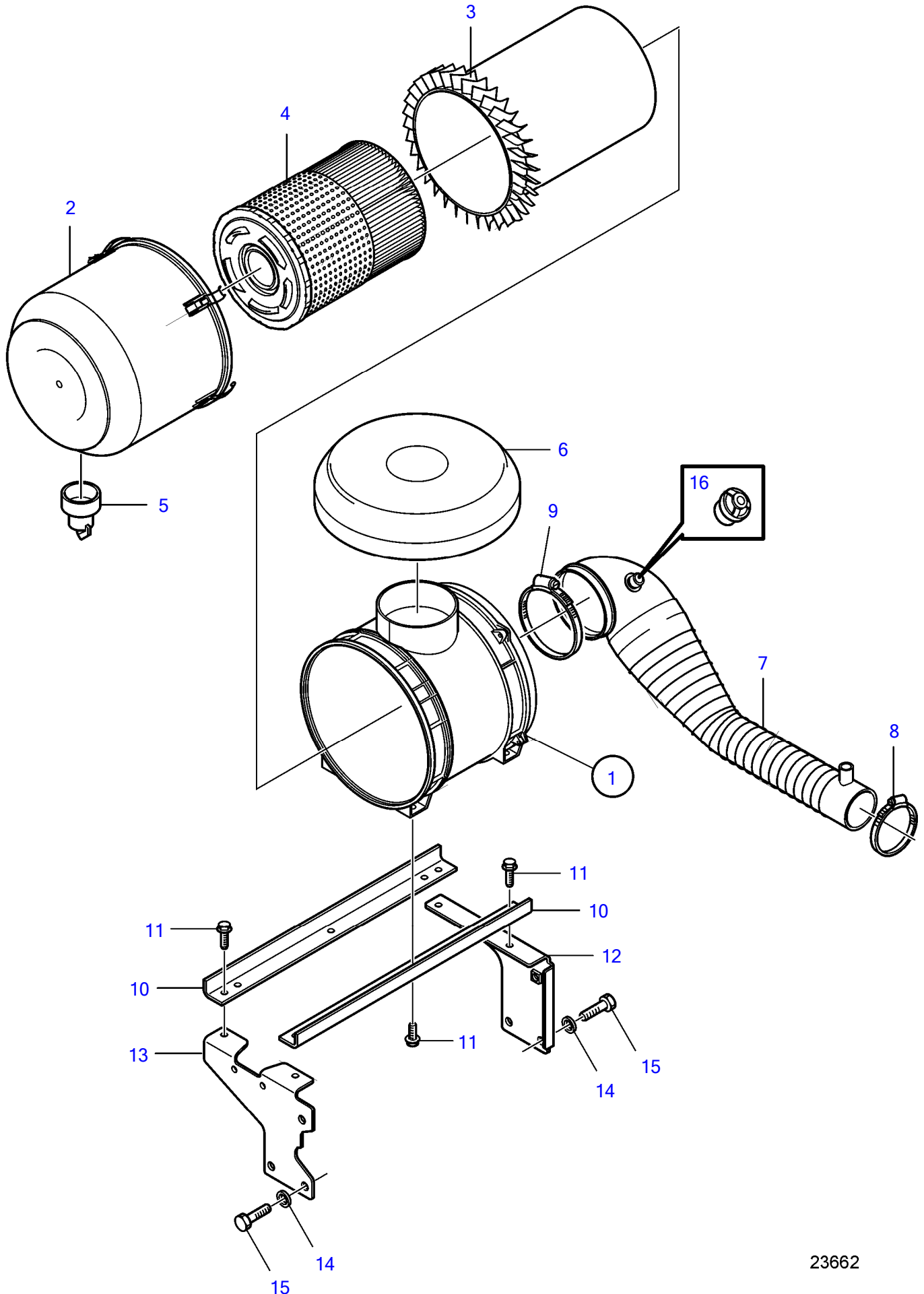
TAD750GE, TAD751GE



28984

TAD750GE, TAD751GE

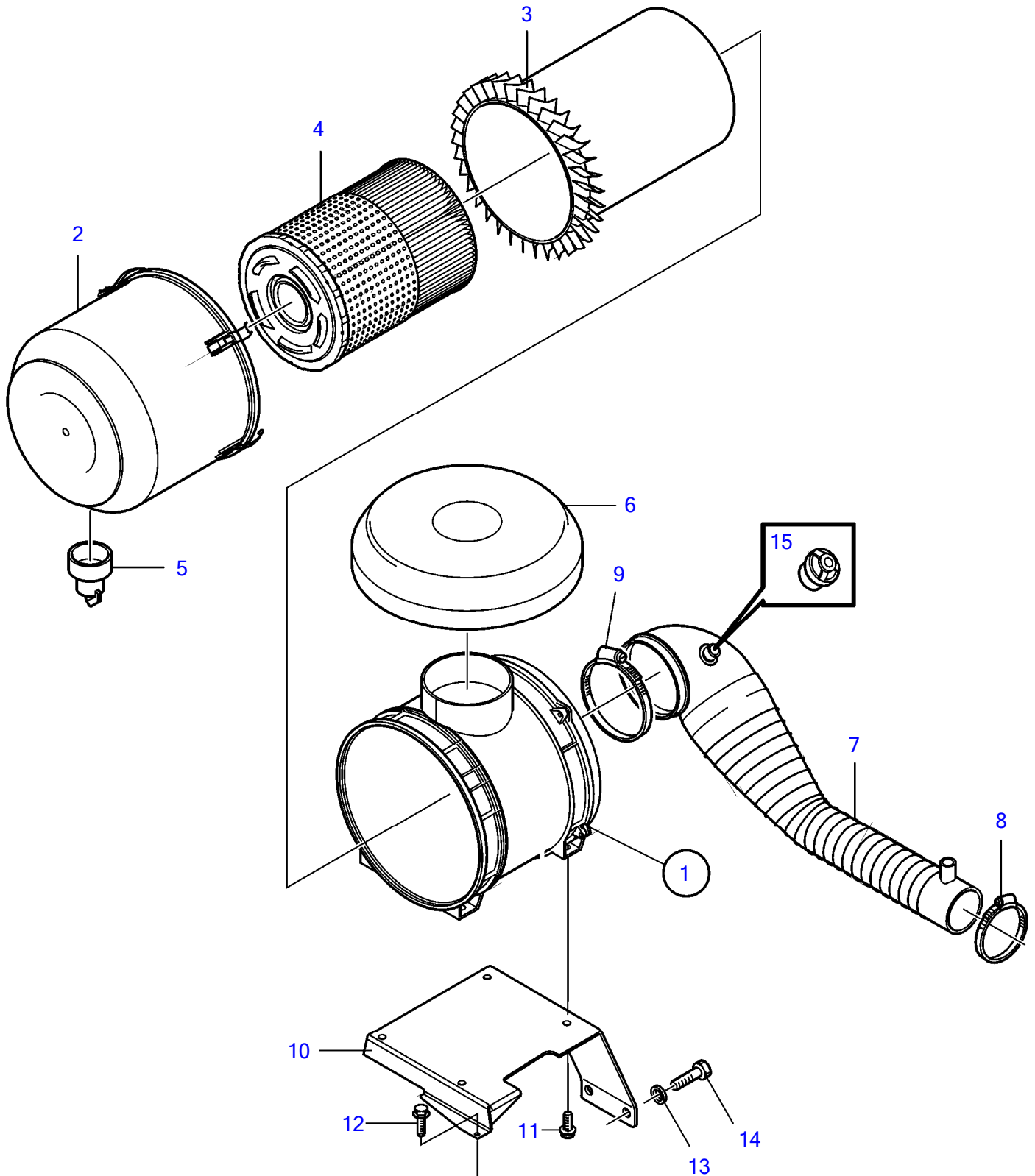
REF	PART NO.	QTY	DESCRIPTION	NOTES
1	21020090	1	Air filter	
2		1	• Air filter housing	
3		1	• Air tube	
4	21377909	1	• Filter insert	
5	20585674	1	• Dust ejector	
6	21034049	1	Filter cap	
7	21568461	1	Inlet manifold	SN-11852009
	22940758	1	Inlet manifold	SN11852010-
8	20773425	2	Hose clamp	
9	21738312	1	Rubber sleeve	
10	21184843	1	Hose clamp	
11	21184838	1	Gasket	
12	21665202	1	Bracket	
13	984753	4	Flange screw	
14	984753	4	Flange screw	
15	20591964	1	Sensor	
16	984725	2	Flange screw	
17	21888902	1	Bracket	
18	22027504	1	Spacer sleeve	



23662

TAD734GE

REF	PART NO.	QTY	DESCRIPTION
1	21020090	1	Air filter
2		1	▪ Air filter housing
3		1	▪ Air tube
4	21020091	1	▪ Air filter
5	20585674	1	▪ Dust ejector
6	21034049	1	Filter cap
7	21034050	1	Inlet manifold
8	20773425	1	Hose clamp
9	21034282	1	Hose clamp
10	21034297	2	Bracket
11	970947	8	Hexagon screw
12	21033633	1	Bracket
13	21033637	1	Bracket
14	976944	4	Washer
15	20796824	4	Hexagon screw
16	20591964	1	Sensor

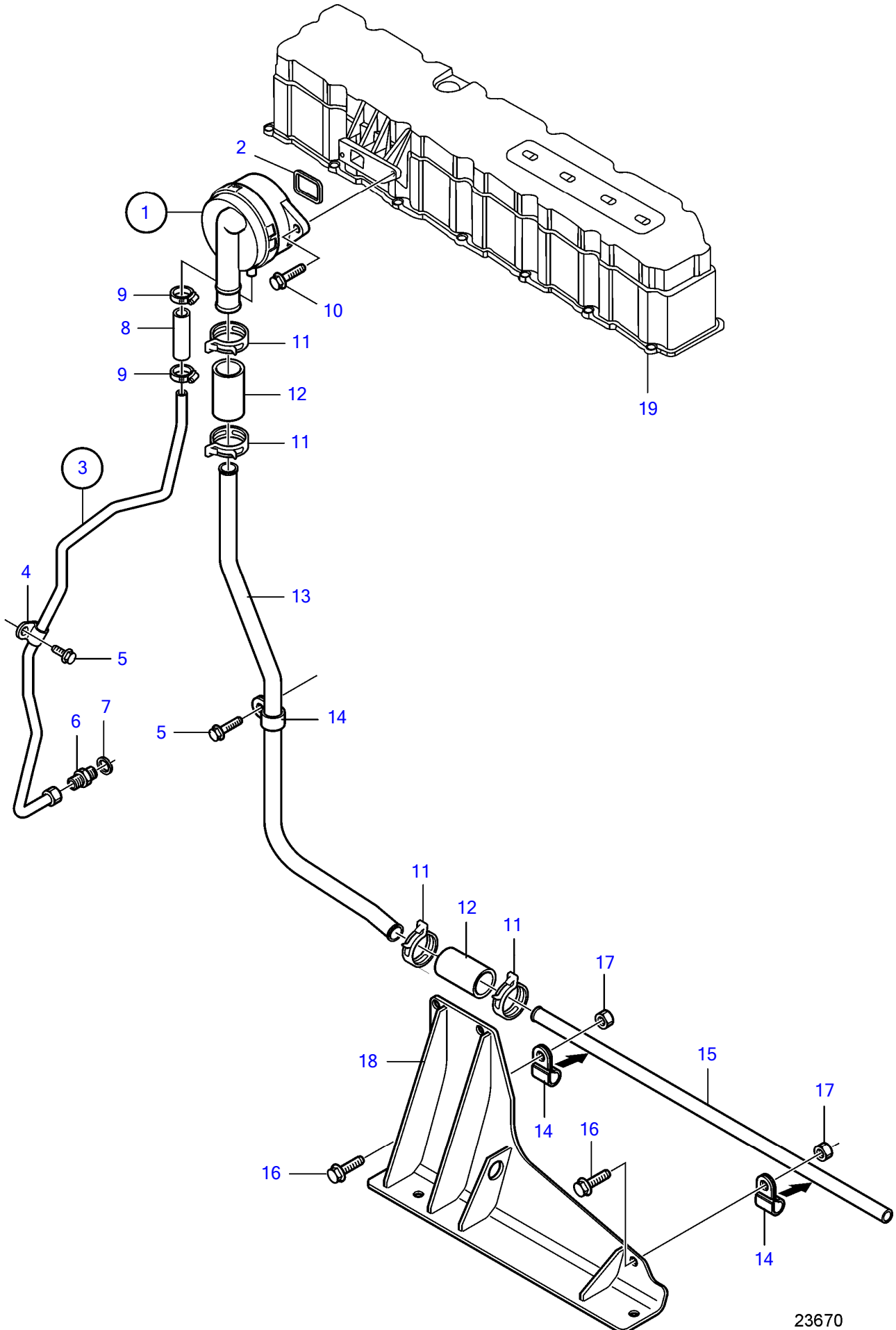


24179

TAD734GE

REF	PART NO.	QTY	DESCRIPTION
1	21020090	1	Air filter
2		1	• Air filter housing
3		1	• Air tube
4	21020091	1	• Air filter
5	20585674	1	• Dust ejector
6	21034049	1	Filter cap
7	21034050	1	Inlet manifold
8	20773425	1	Hose clamp
9	21034282	1	Hose clamp
10	21140359	1	Bracket
11	970947	4	Hexagon screw
12	984733	1	Flange screw
13	976944	2	Washer
14	21275483	2	Hexagon screw
15	20591964	1	Sensor

TAD734GE

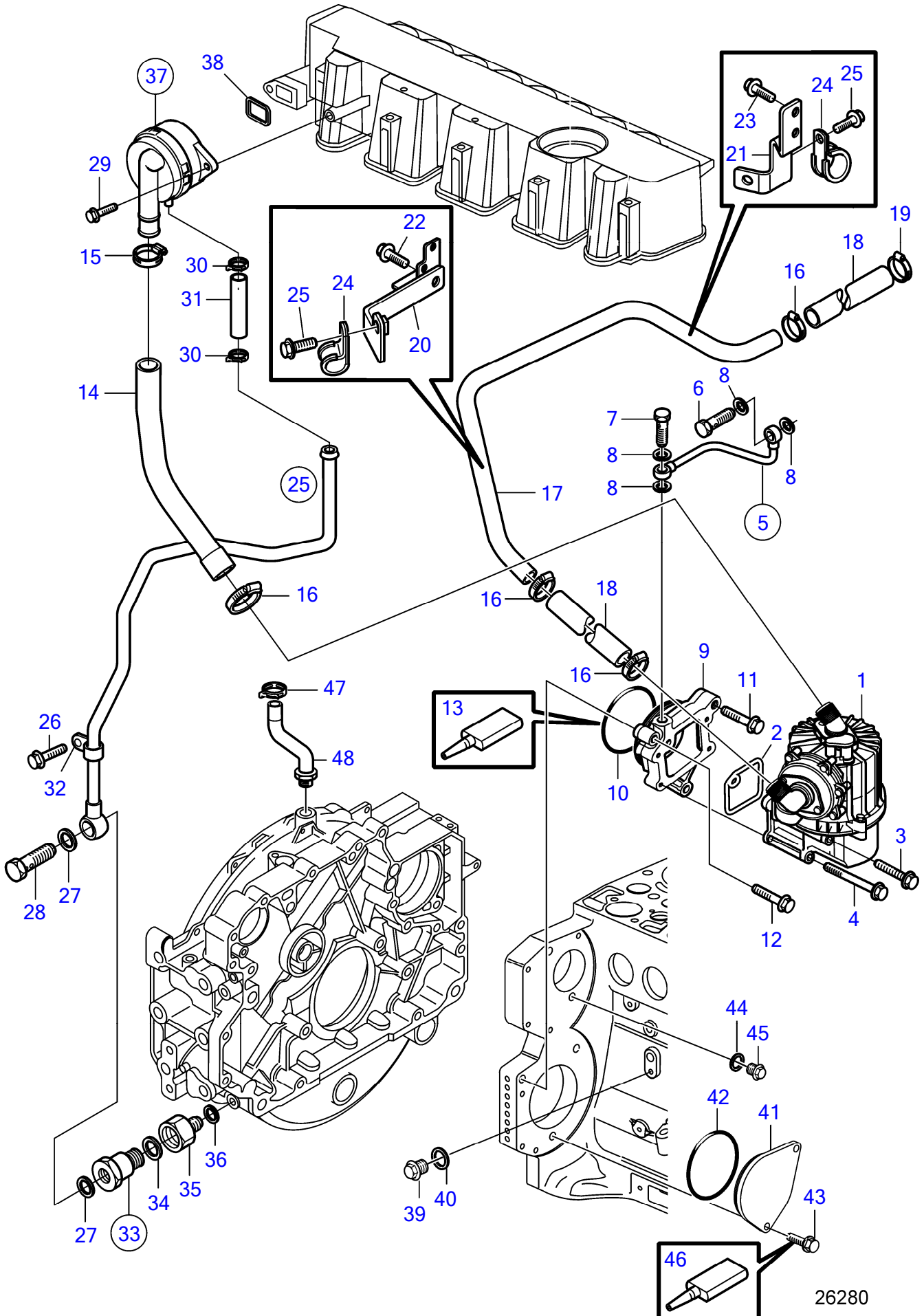


23670

TAD734GE

REF	PART NO.	QTY	DESCRIPTION	SEE SEC.	NOTES
1	20930510	1	Oil separator		
2	20792362	1	Gasket		
3	20999126	1	Leak-off line		SN-11933772, Replaced by 22395170
	22395170	1	Leak-off line		SN11933773-
4	20799142	3	Clamp		
5	20405792	2	Flange screw		
6		1	Adapter		
7	969011	1	Gasket		
8	20799616		Hose		
9	20405568	2	Hose clamp		
10	20405504	2	Flange screw		
11	20405755	4	Hose clamp		
12	20799617	2	Hose		
13	21034589	1	Breather pipe		
14	20405532	2	Clamp		
15	21033654	1	Breather pipe		
16	984735	2	Flange screw		
17	20501349	2	Hexagon nut		
18		1	Radiator anchorage	54158159	
19		1	Valve cover	54158022	

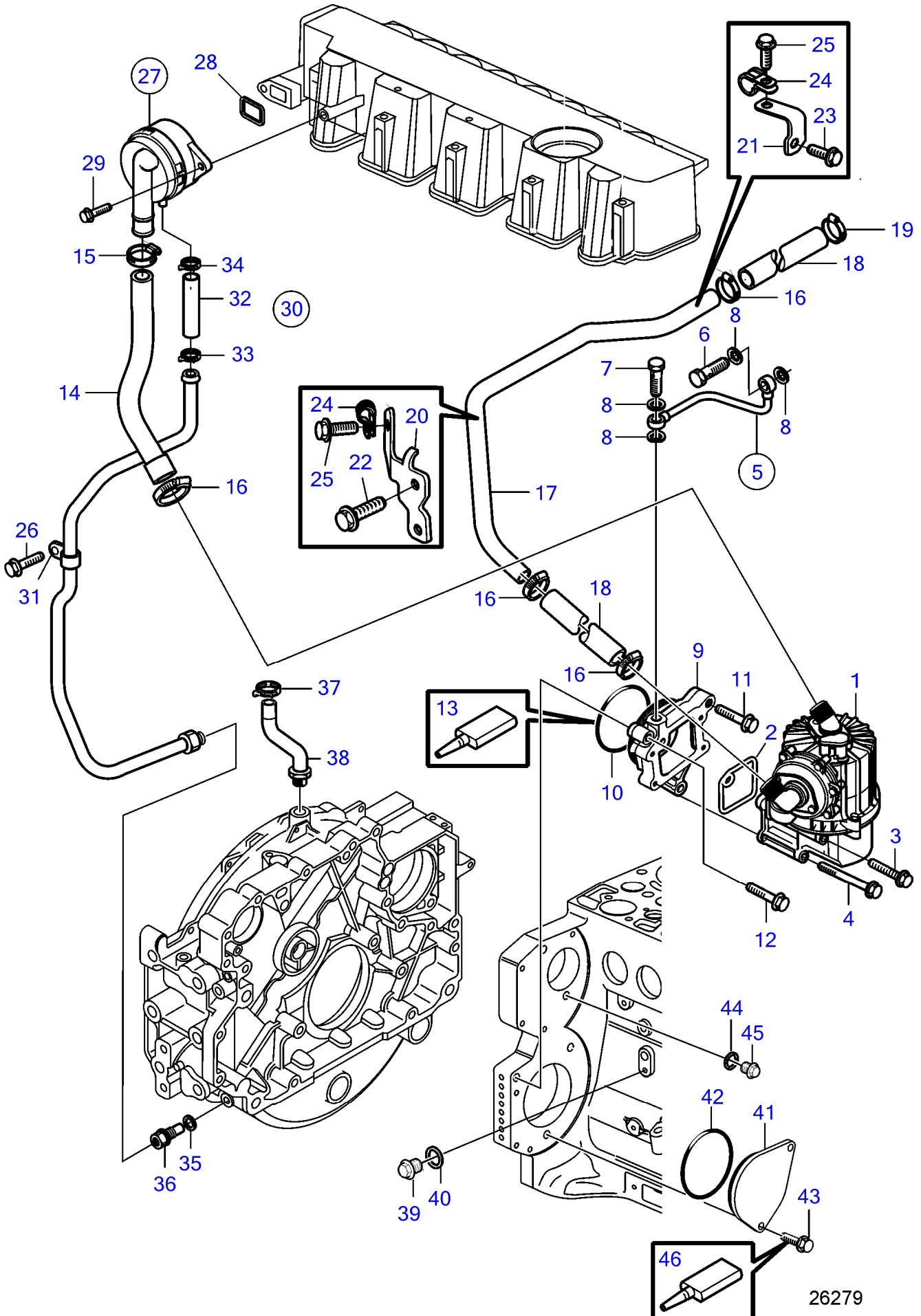
TAD734GE, TAD752GE, TAD753GE, TAD754GE



TAD734GE, TAD752GE, TAD753GE, TAD754GE

REF	PART NO.	QTY	DESCRIPTION	NOTES
1	21887256	1	Oil separator	
2	20532891	1	Gasket	
3	20459933	2	Flange screw	
4	993447	2	Flange screw	
5	21887491	1	Oil pipe	
6	21527800	1	• Hollow screw	
7	20405562	1	• Hollow screw	
8	969011	4	• Gasket	
9	21887496	1	Adapter	SN-11949557
	23006238	1	Adapter	SN11949558-
10	20412359	1	O-ring	
11	990862	2	Flange screw	
12	984738	1	Flange screw	
13	1161231	1	Sealant	
14	21887754	1	Breather pipe	
15	20405755	1	Hose clamp	
16	995901	4	Hose clamp	
17	21881470	1	Breather pipe	
18	21881488	2	Rubber sleeve	
19	21887206	1	Hose clamp	
20	21881482	1	Bracket	
21	21881483	1	Bracket	
22	975197	1	Flange screw	
23	984733	4	Flange screw	
24	20799163	2	Attaching clamp	
25	20999126	1	Leak-off line	SN-11933772, Replaced by 22395170
	22395170	1	Leak-off line	SN11933773-
26	20799142	3	• Clamp	
27	993605	2	• Gasket	
28	20460936	1	• Hollow screw	
29	984736	2	Flange screw	
30	20405568	2	Hose clamp	
31	20799616	3	Hose	
32	994442	3	Flange screw	
33	21500616	1	Drain valve	
34	993680	1	• Gasket	
35		1	• Adapter	
36	993605	1	Gasket	
37	20930510	1	Oil separator	
38	21038626	1	• Plane gasket	
39	20405716	1	Plug	
40	969011	1	Gasket	
41	24426064	1	Cover	
42	20412359	1	O-ring	
43	888289	2	Flange screw	
44	947281	1	Gasket	
45	20441859	1	Filling-in plug	
46	1161075	1	Locking fluid	
47	20799673	1	Hose clamp	
48	20971646	1	Oil return pipe	

TAD750GE, TAD751GE

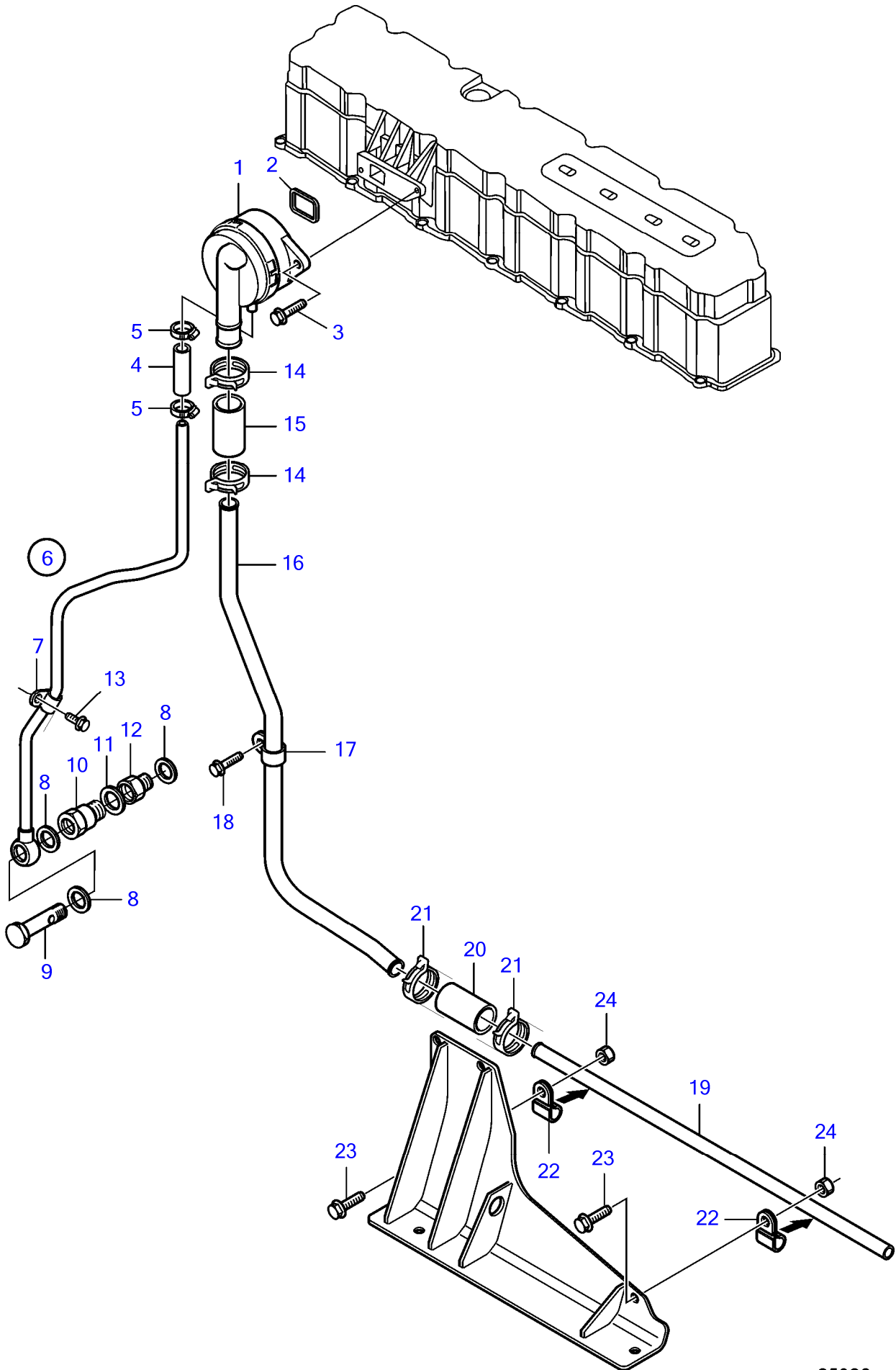


26279

TAD750GE, TAD751GE

REF	PART NO.	QTY	DESCRIPTION	NOTES
1	21887256	1	Oil separator	
2	20532891	1	Gasket	
3	20459933	2	Flange screw	
4	993447	2	Flange screw	
5	21887840	1	Oil pipe	
6	21527800	1	• Hollow screw	
7	20405562	1	• Hollow screw	
8	969011	4	• Gasket	
9	21887496	1	Adapter	SN-11949557
	23006238	1	Adapter	SN11949558-
10	20412359	1	O-ring	
11	990862	2	Flange screw	
12	984738	1	Flange screw	
13	1161231	1	Sealant	
14	21887808	1	Breather pipe	
15	20405755	1	Hose clamp	
16	995901	4	Hose clamp	
17	21887815	1	Breather pipe	
18	21881488	2	Rubber sleeve	
19	21887206	1	Hose clamp	
20	21887827	1	Bracket	
21	21887831	1	Bracket	SN-11313503
	22027512	1	Bracket	SN11313504-
22	20460055	1	Flange screw	
23	993357	1	Flange screw	
24	20799163	2	Attaching clamp	
25	984733	2	Flange screw	
26	994442	1	Flange screw	
27	20930510	1	Oil separator	
28	21038626	1	• Plane gasket	
29	984736	2	Flange screw	
30	21012774	1	Oil line	Replaced by 22253980, SN10708511-11485522
	22253980	1	Oil line	Replaced by 22393475, SN11485523-11928266
	22393475	1	Oil line	SN11928267-
31	20798831	1	• Attaching clamp	
32	20971632	1	• Rubber hose	
33	20405568	1	• Hose clamp	
34	20405568	1	Hose clamp	
35	993680	1	Gasket	
36	21496705	1	Drain valve	
37	20799673	1	Hose clamp	
38	20971646	1	Oil return pipe	
39	20405716	1	Plug	
40	969011	1	Gasket	
41	24426064	1	Cover	
42	20412359	1	O-ring	
43	888289	2	Flange screw	
44	947281	1	Gasket	
45	20441859	1	Filling-in plug	
46	1161075	1	Locking fluid	

TAD752GE, TAD753GE, TAD754GE

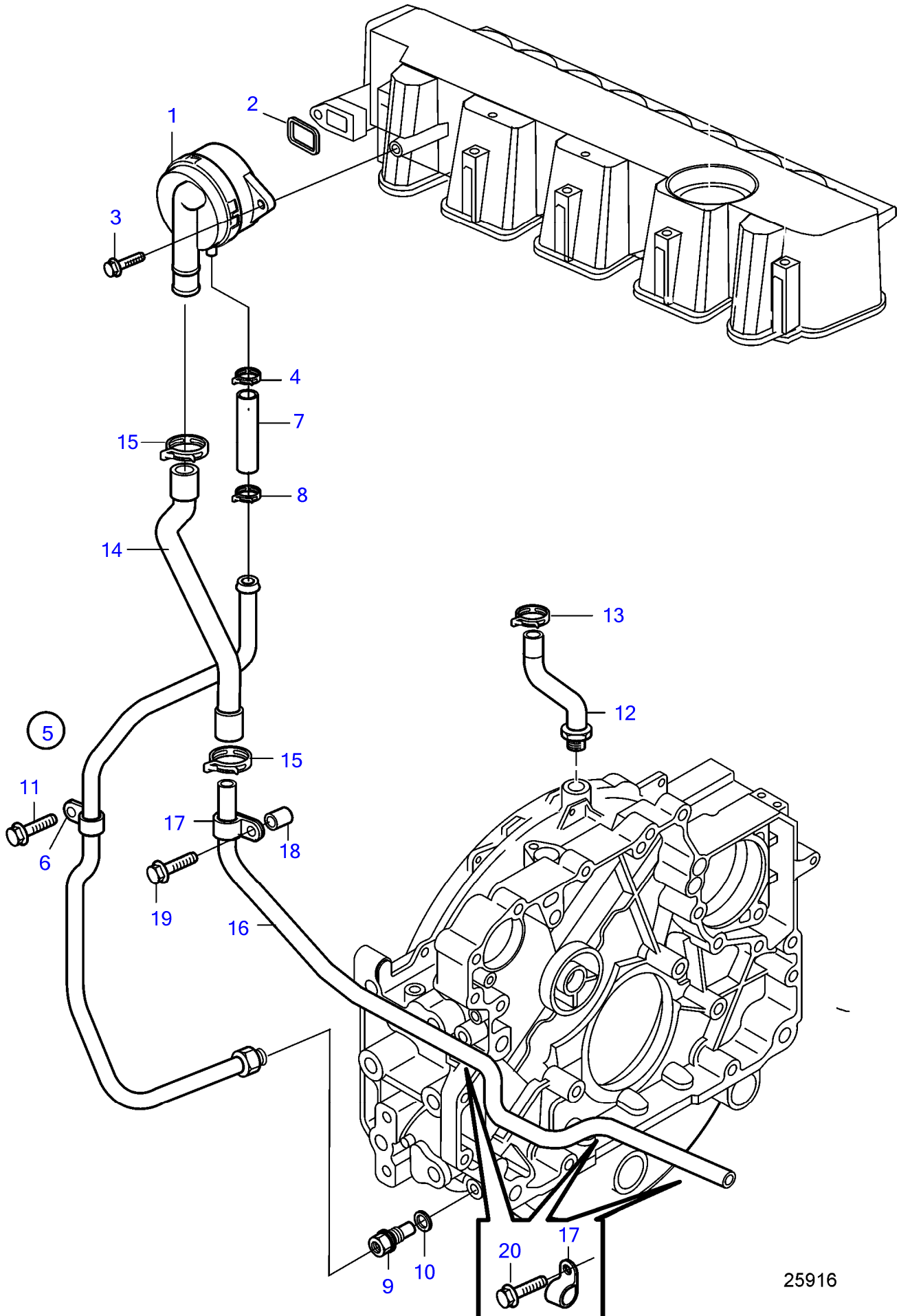


25920

TAD752GE, TAD753GE, TAD754GE

REF	PART NO.	QTY	DESCRIPTION	NOTES
1	20930510	1	Oil separator	
2	21038626	1	Plane gasket	
3	984736	2	Flange screw	
4	20799616	1	Hose	
5	20405568	2	Hose clamp	
6	20999126	1	Leak-off line	SN-11933772, Replaced by 22395170
	22395170	1	Leak-off line	SN11933773-
7	20799142	3	• Clamp	
8	993605	3	• Gasket	
9	20460936	1	• Hollow screw	
10	21500616	1	Drain valve	
11	993680	1	• Gasket	
12		1	• Adapter	
13	967949	3	Flange screw	
14	20405755	2	Hose clamp	
15	21088555	1	Rubber sleeve	
16	21034589	1	Breather pipe	
17	20405532	1	Clamp	
18	984733	1	Flange screw	
19	21033654	1	Breather pipe	
20	20799617	1	Hose	
21	20405755	2	Hose clamp	
22	20405532	2	Clamp	
23	20512299	2	Flange screw	
24	20501349	2	Hexagon nut	

TAD750GE, TAD751GE

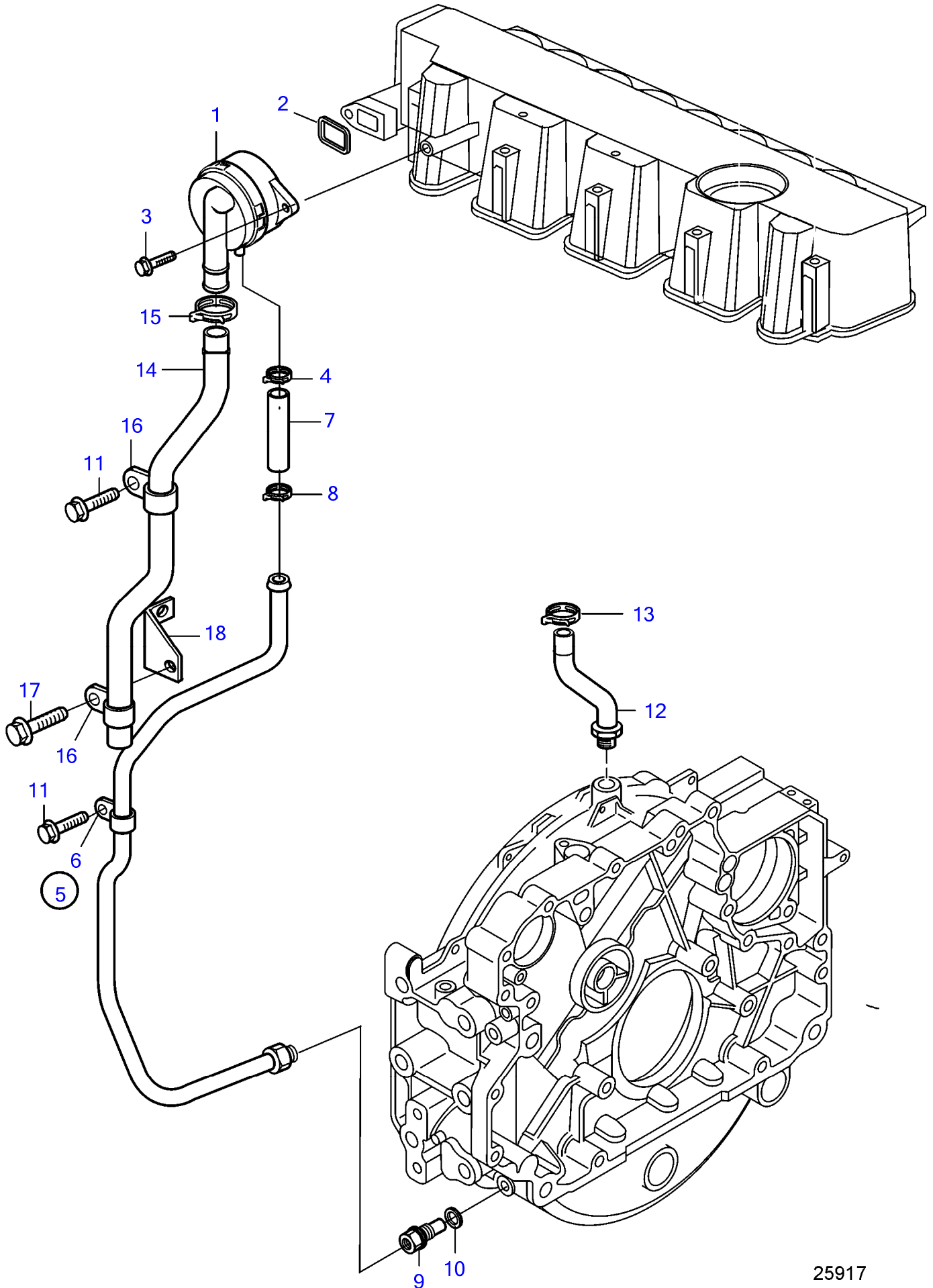


25916

TAD750GE, TAD751GE

REF	PART NO.	QTY	DESCRIPTION	NOTES
1	20930510	1	Oil separator	
2	21038626	1	Plane gasket	
3	984736	2	Flange screw	
4	20405568	1	Hose clamp	
5	21012774	1	Oil line	Replaced by 22253980, SN10708511-11485522
	22253980	1	Oil line	Replaced by 22393475, SN11485523-11928266
	22393475	1	Oil line	SN11928267-
6	20798831	1	• Attaching clamp	
7	20971632	1	• Rubber hose	
8	20405568	1	• Hose clamp	
9	21496705	1	Drain valve	
10	993680	1	Gasket	
11	967949	1	Flange screw	
12	20971646	1	Oil return pipe	
13	20799673	1	Hose clamp	
14	21665580	1	Breather pipe	
15	20405755	2	Hose clamp	
16	21665581	1	Breather pipe	
17	21737988	4	Clamp	
18	(21665583)	1	Bushing	Obsolete part
19	973924	1	Flange screw	
20	984733	3	Flange screw	

TAD750GE, TAD751GE

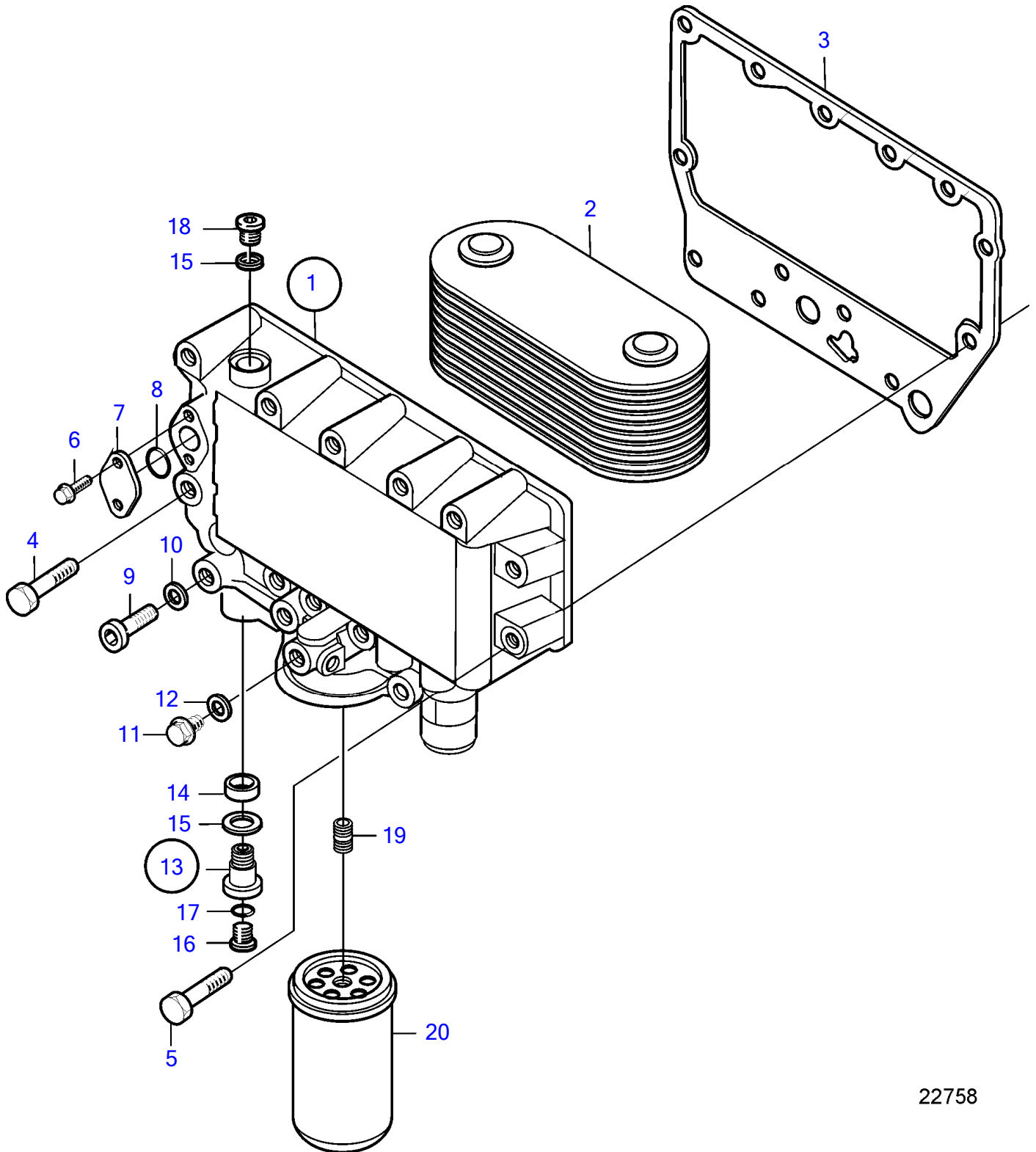


25917

TAD750GE, TAD751GE

REF	PART NO.	QTY	DESCRIPTION	NOTES
1	20930510	1	Oil separator	
2	21038626	1	Plane gasket	
3	984736	2	Flange screw	
4	20405568	1	Hose clamp	
5	21012774	1	Oil line	Replaced by 22253980, SN10708511-11485522
	22253980	1	Oil line	Replaced by 22393475, SN11485523-11928266
	22393475	1	Oil line	SN11928267-
6	20798831	1	• Attaching clamp	
7	20971632	1	• Rubber hose	
8	20405568	1	• Hose clamp	
9	21496705	1	Drain valve	
10	993680	1	Gasket	
11	967949	1	Flange screw	
12	20971646	1	Oil return pipe	
13	20799673	1	Hose clamp	
14	975197	2	Flange screw	
15	20799590	1	Tube	
16	20405755	1	Hose clamp	
17	20798837	2	Attaching clamp	
18	20798898	1	Retaining plate	

TAD750GE, TAD751GE

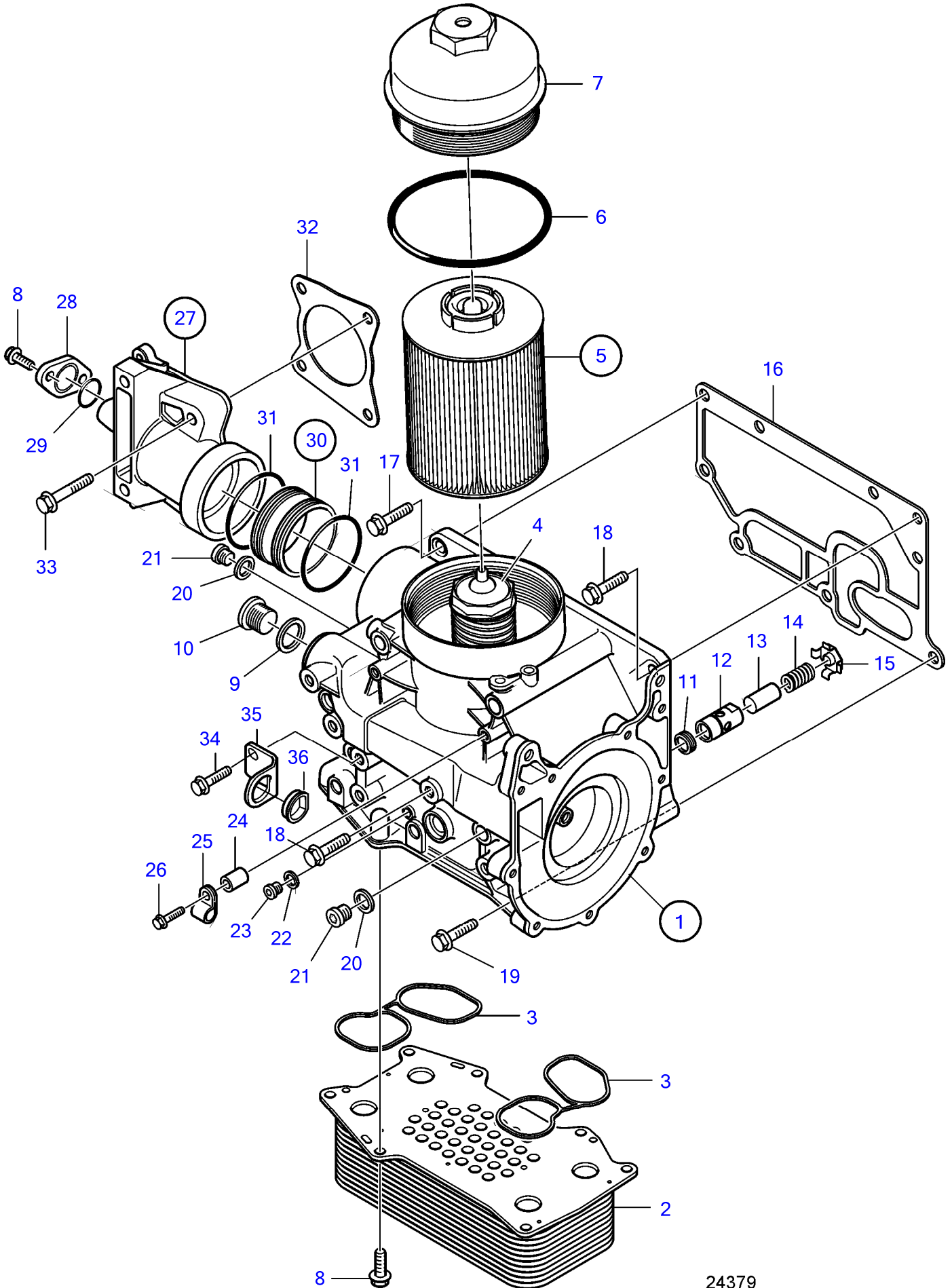


22758

TAD750GE, TAD751GE

REF	PART NO.	QTY	DESCRIPTION	NOTES
1	20819716	1	Oil cooler	Replaced by 21590865
	21590865	1	Oil cooler	Replaced by 23124230
	23124230	1	Oil cooler	
2	20715681	1	Oil cooler	
3	20405747	1	Gasket	
4	20405917	10	Flange screw	
5	973924	3	Flange screw	
6	965215	2	Flange screw	
7	11700609	1	Flange	
8	20405599	1	• O-ring	
9	888474	1	Plug	
10	957181	1	Gasket	
11	20450895	1	Plug	
12	947281	1	Gasket	
13	20405752	1	Screw	
14	20405569	1	Sealing ring	
15	957189	1	Gasket	
16	20549897	1	Plug	
17	20405578	1	O-ring	
18	20459195	1	Plug	
19	20405752	1	Screw	
20	21640514	1	Oil filter	

TAD752GE, TAD753GE

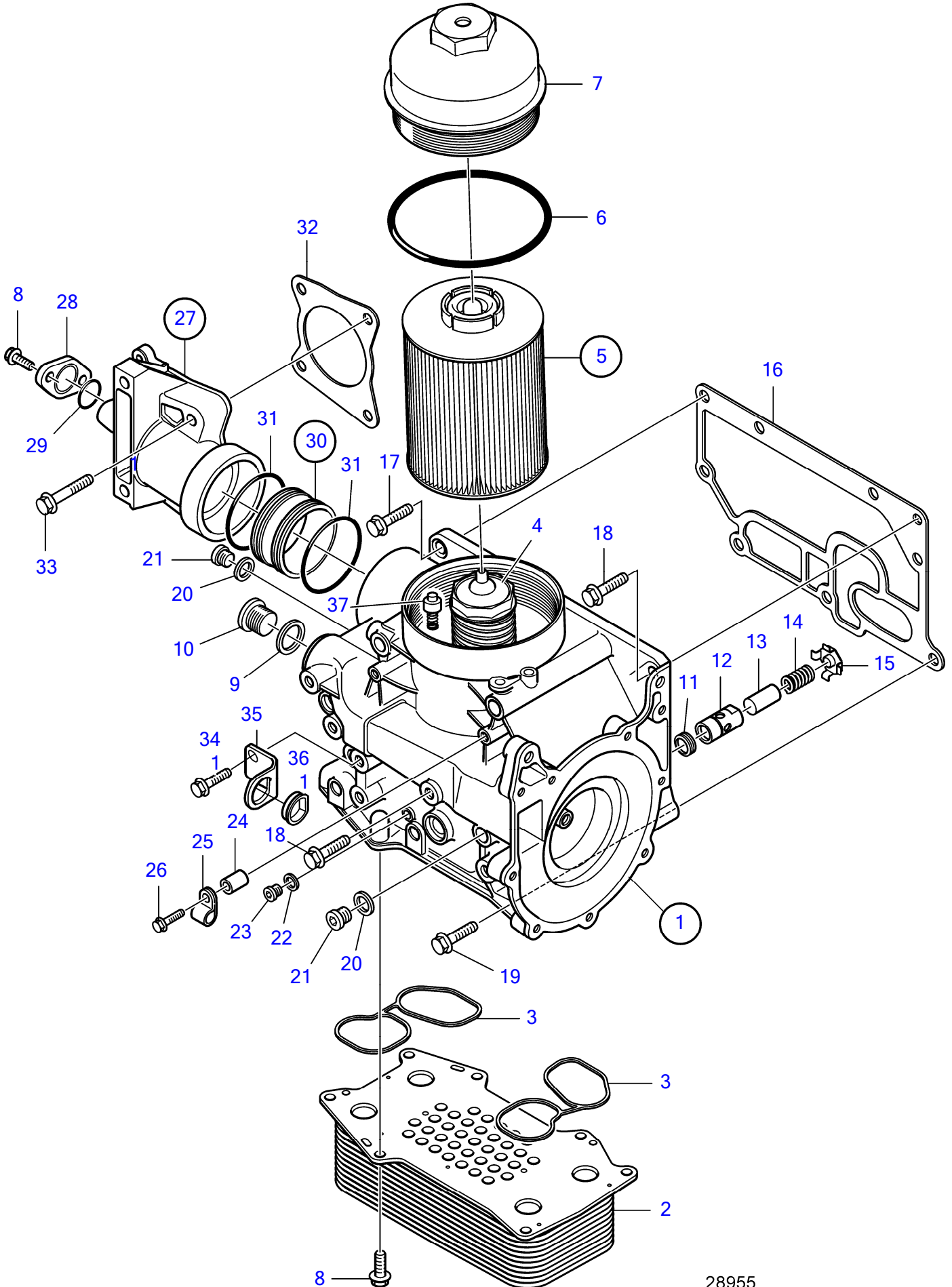


24379

TAD752GE, TAD753GE

REF	PART NO.	QTY	DESCRIPTION	NOTES
1	21004191	1	Oil cooler	
2	(20794112)	1	• Oil cooler	Obsolete part
3	20459202	2	• Gasket	
4	21664409	1	• Support	
5	20998807	1	• Oil filter	
6	20793394	1	• • O-ring	
7	21009291	1	• Cover	
8	975197	9	• Flange screw	
9	907137	1	• Gasket	
10	20459195	1	• Plug	
11	20862336	1	• Insert	
12	20860343	1	• Sleeve	
13	20862028	1	• Plunger	
14	20860334	1	• Spring	
15	20860349	1	• Lock washer	
16	20793728	1	Gasket	
17	20755314	2	Flange screw	
18	984738	7	Flange screw	
19	981377	7	Flange screw	
20	947622	2	Gasket	
21	20502245	2	Plug	
22	993358	1	Gasket	
23	20795923	1	Plug	
24	20860391	1	Sleeve	
25	20799163	1	Attaching clamp	
26	984740	1	Flange screw	
27	21073059	1	Coolant pipe	
28	21072778	1	• Flange	
29	20405599	1	• O-ring	
30	21364512	1	• Plug	
31	21034011	2	• • O-ring	
32	21043750	1	Plane gasket	
33	984738	4	Flange screw	
34		1		
35	20832527	1	Retaining plate	
36	20858971	1	Ring	

TAD734GE, TAD754GE

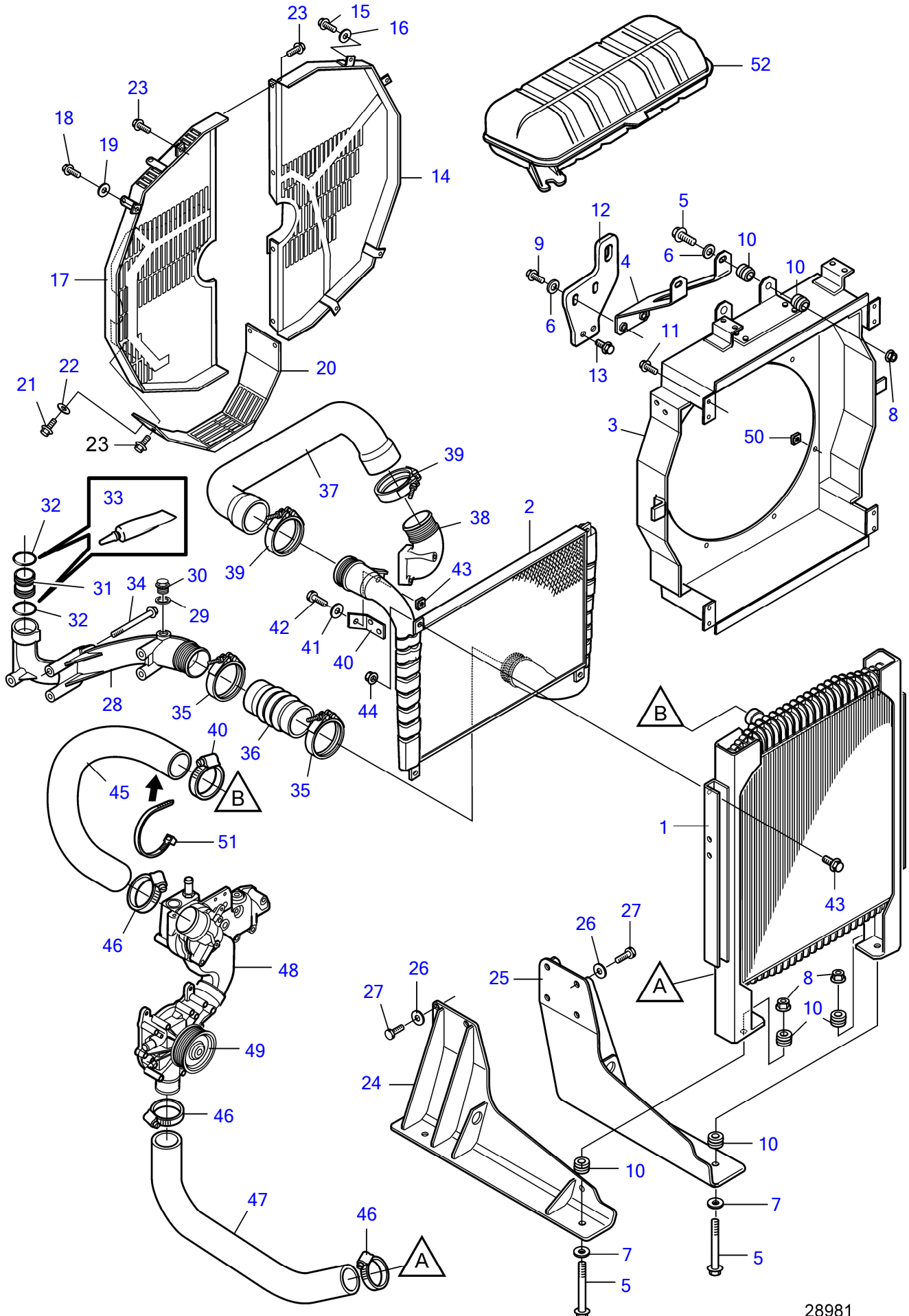


28955

TAD734GE, TAD754GE

REF	PART NO.	QTY	DESCRIPTION	NOTES
1	21034694	1	Oil cooler	SN-10778685
	21004191	1	Oil cooler	SN10778686-
2	21033951	1	• Oil cooler	Replaced by 21707083
	21707083	1	• Oil cooler	Replaced by 23529878
	23529878	1	Oil cooler	
3	20459202	2	• Gasket	
4	20793400	1	• Support	
5	21040164	1	• Oil filter	Replaced by 20998807.
	20998807	1	• Oil filter	
6	21003838	1	• • O-ring	
7	21009291	1	• Cover	O-ring 21003838 included
8	984734	9	• Flange screw	
9	947628	1	• Gasket	(20450898)
10	20459195	1	• Plug	
11	20862336	1	• Insert	
12	20860343	1	• Sleeve	
13	20862028	1	• Plunger	
14	20860334	1	• Spring	
15	20860349	1	• Lock washer	
16	20793728	1	Gasket	
17	20755314	2	Flange screw	
18	20797054	7	Flange screw	
19	984738	4	Flange screw	
20	947622	2	Gasket	
21	20502245	2	Plug	
22	947281	1	Gasket	
23	20795923	1	Plug	
24	20860391	1	Sleeve	
25	20799163	1	Attaching clamp	
26	20450802	1	Flange screw	
27	20939278	1	Coolant pipe	SN-10506591
	21073059	1	Coolant pipe	SN10506592-
28	11700609	1	• Flange	SN-10506591
	21072778	1	• Flange	SN10506592-
29	20405599	1	• O-ring	
30	20940178	1	• Plug	
31	21034011	2	• • O-ring	
32	21043750	1	Plane gasket	
33	984738	4	Flange screw	
34		1		
35	20832527	1	Retaining plate	
36	20858971	1	Ring	
37	20793567	1	Drain valve	

TAD752GE, TAD753GE, TAD754GE

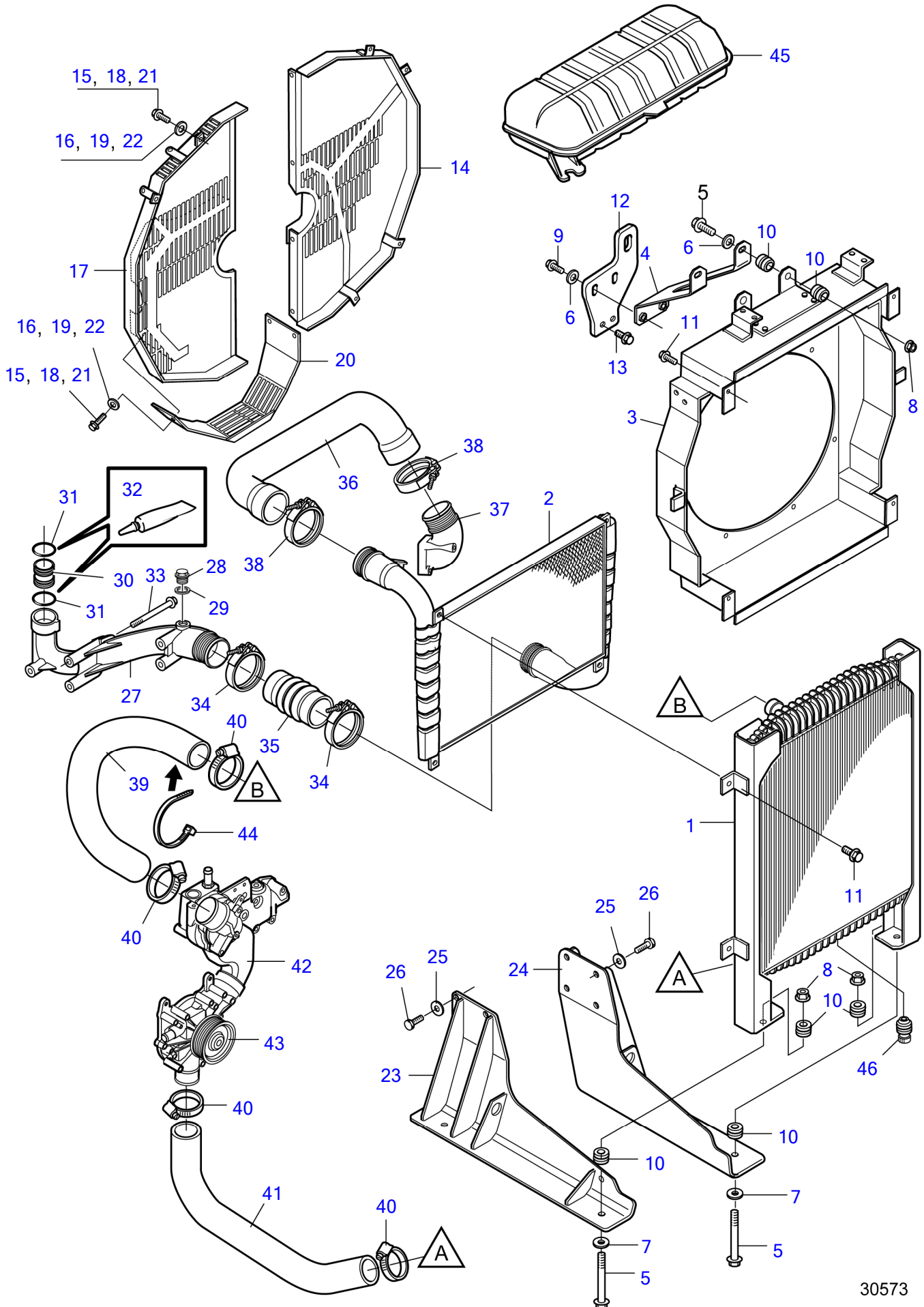


28981

TAD752GE, TAD753GE, TAD754GE

REF	PART NO.	QTY	DESCRIPTION	SEE SEC.	NOTES
1	21661739	1	Radiator		
2	21661744	1	Charge air cooler		SN10914163-, Replaced by 21883424
	21883424	1	Charge air cooler		SN5311194622-
3	21661748	1	Fan shroud		
4	21141486	1	Bracket		
5	20797247	4	Flange screw		
6	20551709	4	Washer		
7	20549890	2	Washer		
8	993787	4	Hexagon nut		
9	20755314	2	Flange screw		
10	21661786	4	Rubber suspension		
11		8	Screw		
12	21202801	1	Lifting eye		
13	20556904	2	Hexagon screw		
14	21205953	1	Fan shroud, left		SN5310640196-5311102007
	21662800	1	Fan shroud		SN5311102008-
15	21865891	4	Flange screw		
16	(22450069)	4	Washer		Obsolete part
17	21205950	1	Fan shroud, right		SN5310640196-5311102007
	21662794	1	Fan shroud		SN5311102008-
18	21865891	8	Flange screw		
19	(22450069)	8	Washer		Obsolete part
20	21205930	1	Fan shroud, lower		SN5310640196-5311102007
	21662803	1	Fan shroud		SN5311102008-
21	21865891	4	Flange screw		
22	(22450069)	4	Washer		Obsolete part
23	21664109	16	Six point screw		SN-11102007
24	21149796	1	Bracket, right		
25	21149793	1	Bracket, left		
26	21033886	8	Spacer sleeve		
27	21033902	8	Hexagon screw		
28	21664647	1	Charge air pipe		
29	21033247	1	Gasket		
30	888774	1	Plug		
31	20405944	1	Adapter		
32	20405535	2	O-ring		
33	1161231	1	Sealant		
34	20911617	3	Flange screw		
35	21150016	4	Clamp		
36	21664167	1	Rubber hose		
37	21669933	1	Charge air pipe		
38	21669959	1	Pipe		
39	21150012	2	Clamp		
40		1	Bracket		
41		1	Washer		
42		1	Screw		
43		4	Screw		
44		4	Nut		
45	21043284	1	Hose		
46	20412420	4	Hose clamp		
47	21076783	1	Hose		
48		1	Thermostat housing	54161508	
49		1	Circulation pump	54161508	
50		10	Nut plate		
51	20702947		Cable tie		
52	21661750	1	Expansion tank	54161507	

TAD734GE

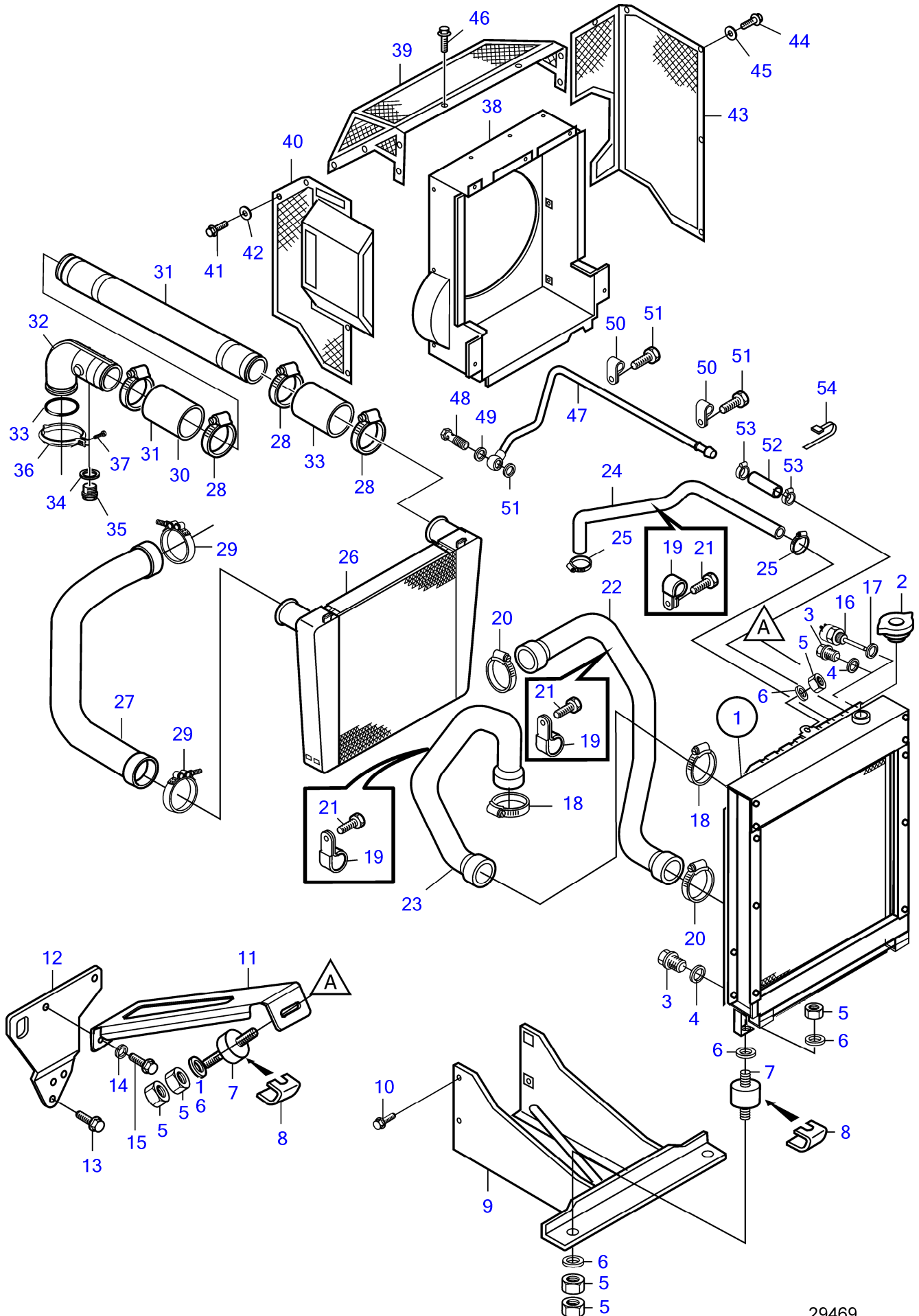


30573

TAD734GE

REF	PART NO.	QTY	DESCRIPTION	SEE SEC.	NOTES
1	21661739	1	Radiator		
2	21661744	1	Charge air cooler		SN5310914163-5311194621
	21883424	1	Charge air cooler		SN5311194622-
3	21661748	1	Fan shroud		
4	21141486	1	Bracket		
5	20797247	4	Flange screw		
6	20551709	4	Washer		
7	20549890	2	Washer		
8	993787	8	Hexagon nut		
9	20755314	2	Flange screw		
10	21661786	4	Rubber suspension		
11	946440	8	Flange screw		
12	21202801	1	Lifting eye		
13	20556904	2	Hexagon screw		
14	21205953	1	Fan shroud, left		SN-5311102007
	21662800	1	Fan shroud		SN5311102008-
15	21865891	16	Flange screw		
16	(22450069)	16	Washer		Obsolete part
17	21205950	1	Fan shroud, right		SN-5311102007
	21662794	1	Fan shroud		SN5311102008-
18	21865891	16	Flange screw		
19	(22450069)	16	Washer		Obsolete part
20	21205930	1	Fan shroud, lower		SN-5311102007
	21662803	1	Fan shroud		SN5311102008-
21	21865891	16	Flange screw		
22	(22450069)	16	Washer		Obsolete part
23	21149796	1	Bracket, right		
24	21149793	1	Bracket, left		
25	21033886	8	Spacer sleeve		
26	21033902	8	Hexagon screw		
27	21664647	1	Charge air pipe		
28	888774	1	Plug		
29	21033247	1	Gasket		
30	20405944	1	Adapter		
31	20405535	2	O-ring		
32	1161231	1	Sealant		
33	20911617	3	Flange screw		
34	21150016	4	Clamp		
35	21664167	1	Rubber hose		
36	21669933	1	Charge air pipe		
37	21669959	1	Pipe		
38	21150012	2	Clamp		
39	21043284	1	Hose		
40	20412420	4	Hose clamp		
41	21076783	1	Hose		
42		1	Thermostat housing	54161508	
43		1	Circulation pump	54161508	
44	21052971	1	Cable tie		
45	21661750	1	Expansion tank		
46	22381326	1	Drain valve		

TAD750GE, TAD751GE

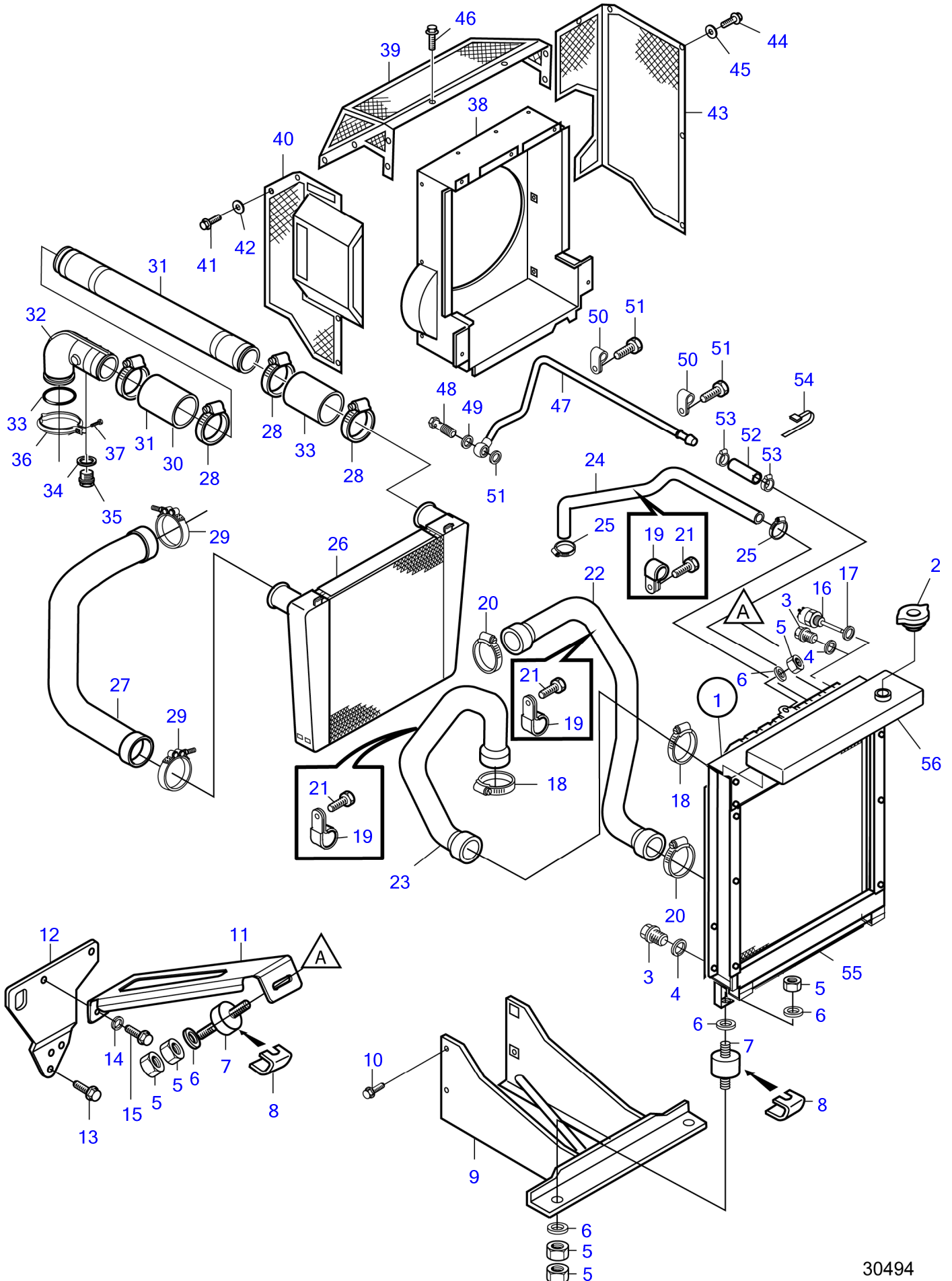


29469

TAD750GE, TAD751GE

REF	PART NO.	QTY	DESCRIPTION	NOTES
1	21063818	1	Radiator	Copper
2	22493846	1	• Filler cap	
3	20412267	2	• Plug	
4	969011	2	• Gasket	
5	971071	9	Hexagon nut	
6	20551749	9	Washer	
7	20405749	3	Vibration damper	
8	20405667	3	Bracket	
9	21654748	1	Radiator bracket	
10	20459156	4	Hexagon screw	
11	21665096	1	Bracket	
12		1	Lifting eye	
13	970947	3	Hexagon screw	
14	20549890	2	Washer	
15	984751	2	Flange screw	
16	21665888	1	Level sensor	SN-5311167041
	21876481	1	Sensor	SN5311167042-
17	969011	1	Gasket	
18	994565	4	Hose clamp	
19	21685540	2	Clamp	
20	21685545	1	Clamp	
21	20859779	3	Flange screw	
22	21665199	1	Pipe	
23	21665196	1	Pipe	
24	21665200	1	Pipe	
25	24426949	2	Hose clamp	
26	20795871	1	Charge air cooler	
27	21665677	1	Charge air pipe, Hose	To inlet.
28	21737971	4	Hose clamp	
29	21686488	1	Hose clamp	
30	20531598	1	Hose	
31	21665586	1	Charge air pipe	From turbo
32	21665473	1	Elbow	
33	20921906	1	• Sealing ring	
34	21033247	1	• Gasket	
35	960628	1	• Plug	
36	1542778	2	V-clamp	
37	20412340	1	Flange screw	
38	20798740	1	Fan shroud, hot climate	
39	21865897	1	Fan shroud, upper	
40	21865915	1	Fan shroud, right	SN5311320581-5311429059
	22533668	1	Fan shroud, right	SN5311429060-
41	21865891	6	Flange screw	
42	(22450069)	6	Washer	Obsolete part
43	21865903	6	Fan shroud, left	
44	21865891	6	Flange screw	
45	(22450069)	6	Washer	Obsolete part
46	984733	4	Flange screw	
47	21503654	1	Pipe, air venting	
48	980973	1	Hollow screw	
49	947281	2	Gasket	
50	20405730	3	Clamp	
51	967949	3	Flange screw	
52	21226021	1	Hose	
53	943471	2	Hose clamp	
54	20702947	2	Cable tie	

TAD750GE, TAD751GE

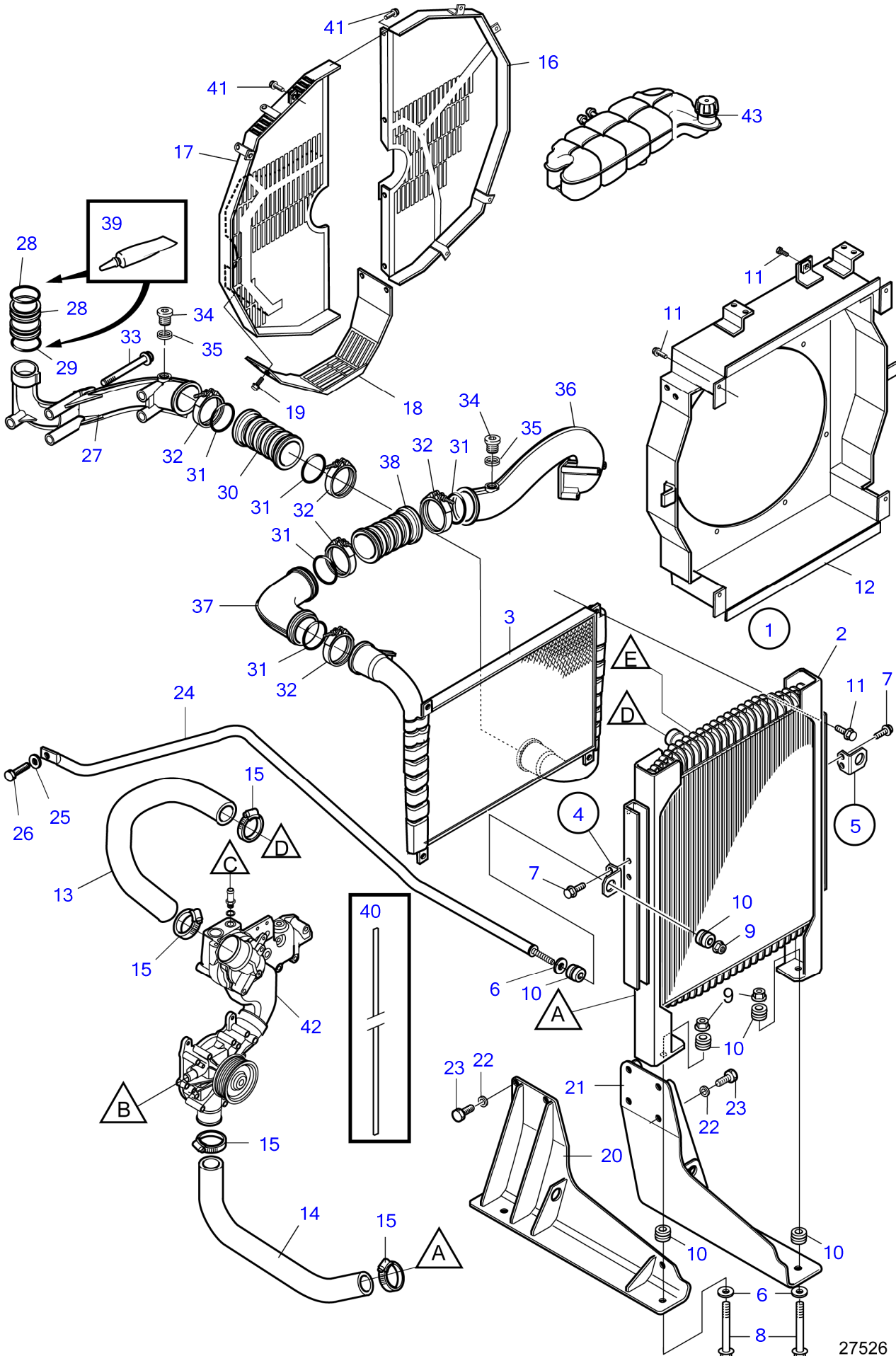


30494

TAD750GE, TAD751GE

REF	PART NO.	QTY	DESCRIPTION	NOTES
1	22705928	1	Radiator	Aluminum
2	22493846	1	• Filler cap	
3	20412267	2	• Plug	
4	969011	2	• Gasket	
5	971071	9	Hexagon nut	
6	20551749	9	Washer	
7	20405749	3	Vibration damper	
8	20405667	3	Bracket	
9	22705939	1	Radiator	
10	20459156	4	Hexagon screw	
11	22706179	1	Bracket	
12		1	Lifting eye	
13	970947	3	Hexagon screw	
14	20549890	2	Washer	
15	984751	2	Flange screw	
16	21876481	1	Sensor	SN-5312079737
	23332998	1	Sensor	SN5312079738-
17	969011	1	Gasket	
18	994565	4	Hose clamp	
19	21685540	2	Clamp	
20	21685545	1	Clamp	
21	20859779	3	Flange screw	
22	21665199	1	Pipe	
23	21665196	1	Pipe	
24	22706271	1	Pipe	
25	24426949	2	Hose clamp	
26	20795871	1	Charge air cooler	
27	21665677	1	Charge air pipe, Hose	To inlet.
28	21737971	4	Hose clamp	
29	21686488	1	Hose clamp	
30	20531598	1	Hose	
31	21665586	1	Charge air pipe	From turbo
32	21665473	1	Elbow	
33	20921906	1	• Sealing ring	
34	21033247	1	• Gasket	
35	960628	1	• Plug	
36	1542778	2	V-clamp	
37	20412340	1	Flange screw	
38	20798740	1	Fan shroud, hot climate	
39	21865897	1	Fan shroud, upper	
40	21865915	1	Fan shroud, right	SN5311320581-5311429059
	22533668	1	Fan shroud, right	SN5311429060-
41	21865891	6	Flange screw	
42	(22450069)	6	Washer	Obsolete part
43	21865903	6	Fan shroud, left	
44	21865891	6	Flange screw	
45	(22450069)	6	Washer	Obsolete part
46	984733	4	Flange screw	
47	21503654	1	Pipe, air venting	Replaced by 22812920
	22812920	1	Tube	Replaced by 23776328
	23776328	1	Tube	
48	980973	1	Hollow screw	
49	947281	2	Gasket	
50	20405730	3	Clamp	
51	967949	3	Flange screw	
52	21226021	1	Hose	
53	943471	2	Hose clamp	
54	20702947	2	Cable tie	
55	22705932	1	Frame	
56	23527643	1	Expansion tank	

TAD734GE

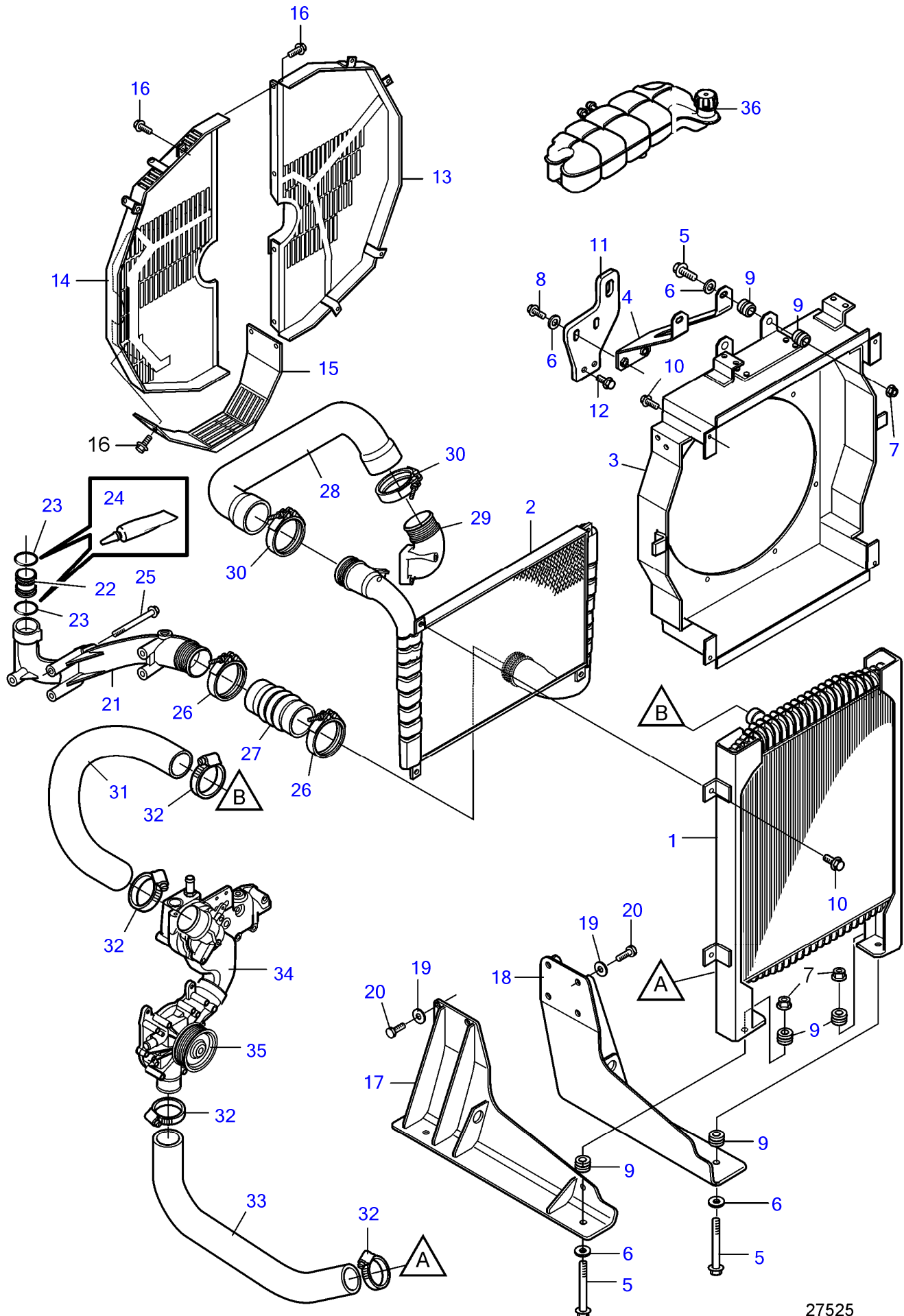


27526

TAD734GE

REF	PART NO.	QTY	DESCRIPTION	NOTES
1	(21034601)	1	Cooling package, complete	Obsolete part
2	21072151	1	• Radiator	
3	21072172	1	• Charge air cooler	
4	21071843	1	• Bracket, right	
5	21071842	1	• Bracket, left	
6	20551709	3	• • Washer	
7	20405792	4	• Flange screw	
8	20797247	2	• Flange screw	L=65mm
9	993787	4	• Hexagon nut	
10	20585579	4	• Rubber suspension	
11	946440	9	• Flange screw	
12	21072174	1	• Fan shroud	
13	21043284	1	• Hose	
14	21076783	1	• Hose	
15	20412420	4	• Hose clamp	
16	21034716	1	Fan shroud, left	
17	21034725	1	Fan shroud, right	
18	21033981	1	Belt protector, lower	
19	984733	4	Flange screw	
20	21034633	1	Bracket, right	
21	21034615	1	Bracket, left	
22	21077864	8	Washer	
23	20796824	8	Hexagon screw	
24	21076870	1	Bracket, right	
	21141552	1	Bracket, left	
25	21033946	2	Washer	
26	20563999	2	Screw	
27	21034353	1	Charge air pipe	
28	20405944	1	Adapter	
29	20405535	2	O-ring	
30	21034582	1	Compensator	
31	21033246	4	O-ring	
32	21033241	4	Clamp	
33	20911617	3	Flange screw	
34	20450895	2	Plug	
35	21033247	2	Gasket	
36	21073391	1	Charge air pipe	
37	21033236	1	Charge air pipe	
38	21033234	1	Compensator	
39	1161231	1	Sealant	
40	21244791	1	Sealing strip	For sealing section between radiator and intercooler
41	984733	16	Flange screw	
42		1	Circulation pump, therm. housing	
43	20585482	1	Expansion tank	

TAD734GE

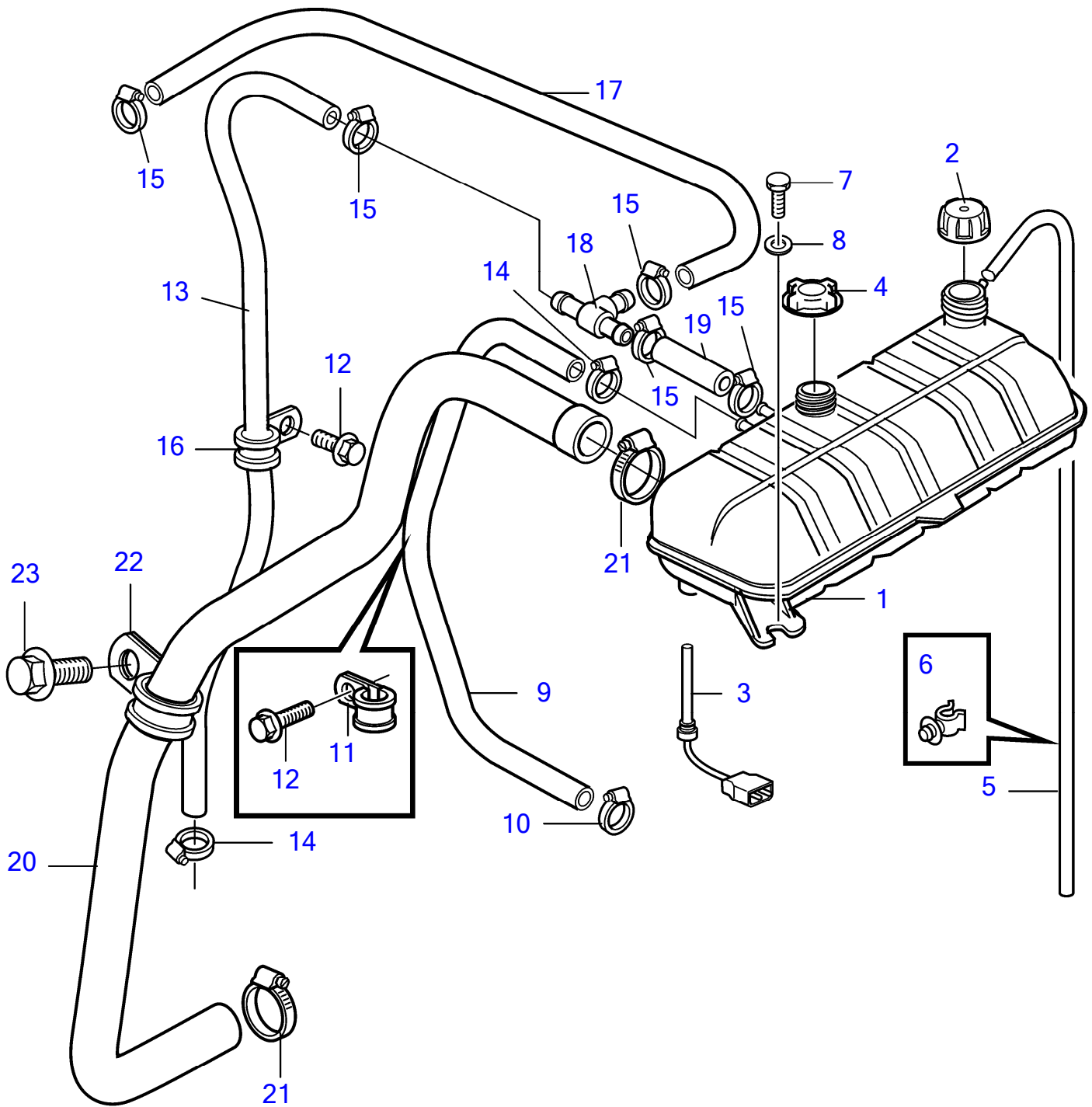


27525

TAD734GE

REF	PART NO.	QTY	DESCRIPTION
1	21188033	1	Radiator
2	21188039	1	Charge air cooler
3	21140918	1	Fan shroud
4	21141486	1	Bracket
5	20797247	4	Flange screw
6	20551709	6	Washer
7	20460364	4	Hexagon nut
8	20755314	2	Flange screw
9	20585579	4	Rubber suspension
10	946440	8	Flange screw
11	21202801	1	Lifting eye
12	20556904	2	Hexagon screw
13	21205953	1	Fan shroud, left
14	21205950	1	Fan shroud, right
15	21033981	1	Belt protector, lower
16	984733	16	Flange screw
17	21149796	1	Bracket, right
18	21149793	1	Bracket, left
19	21077864	8	Washer
20	21033902	8	Hexagon screw
21	21143731	1	Charge air pipe
22	20405944	1	Adapter
23	20405535	2	O-ring
24	1161231	1	Sealant
25	20911617	3	Flange screw
26	21150016	4	Clamp
27	21150004	1	Compensator
28	21150002	1	Charge air hose
29	21143572	1	Elbow
30	21150012	2	Clamp
31	21043284	1	Hose
32	20412420	4	Hose clamp
33	21076783	1	Hose
34		1	Thermostat housing
35		1	Circulation pump
36	20585482	1	Expansion tank

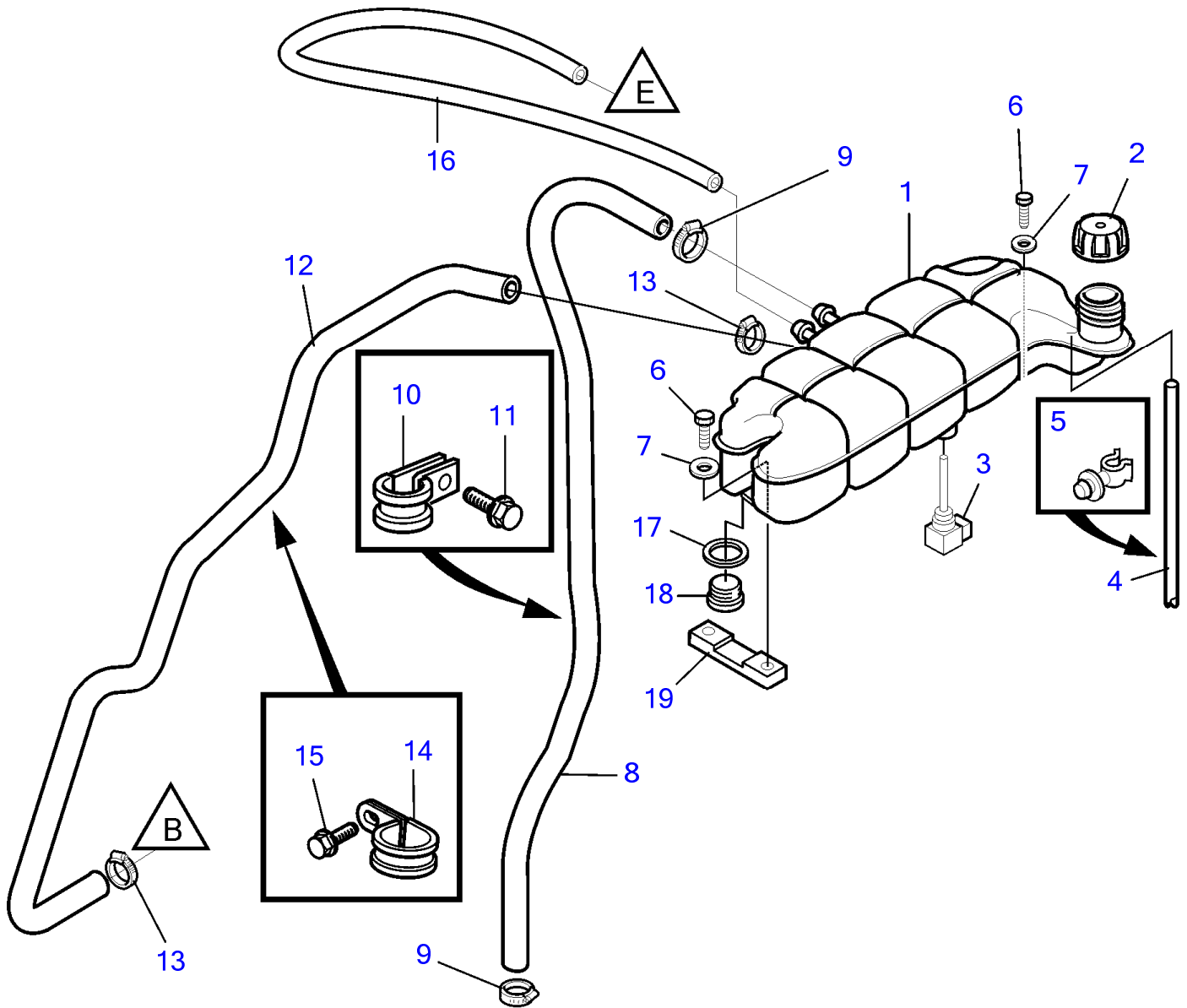
TAD750GE, TAD751GE, TAD752GE, TAD753GE, TAD754GE



27573

TAD750GE, TAD751GE, TAD752GE, TAD753GE, TAD754GE

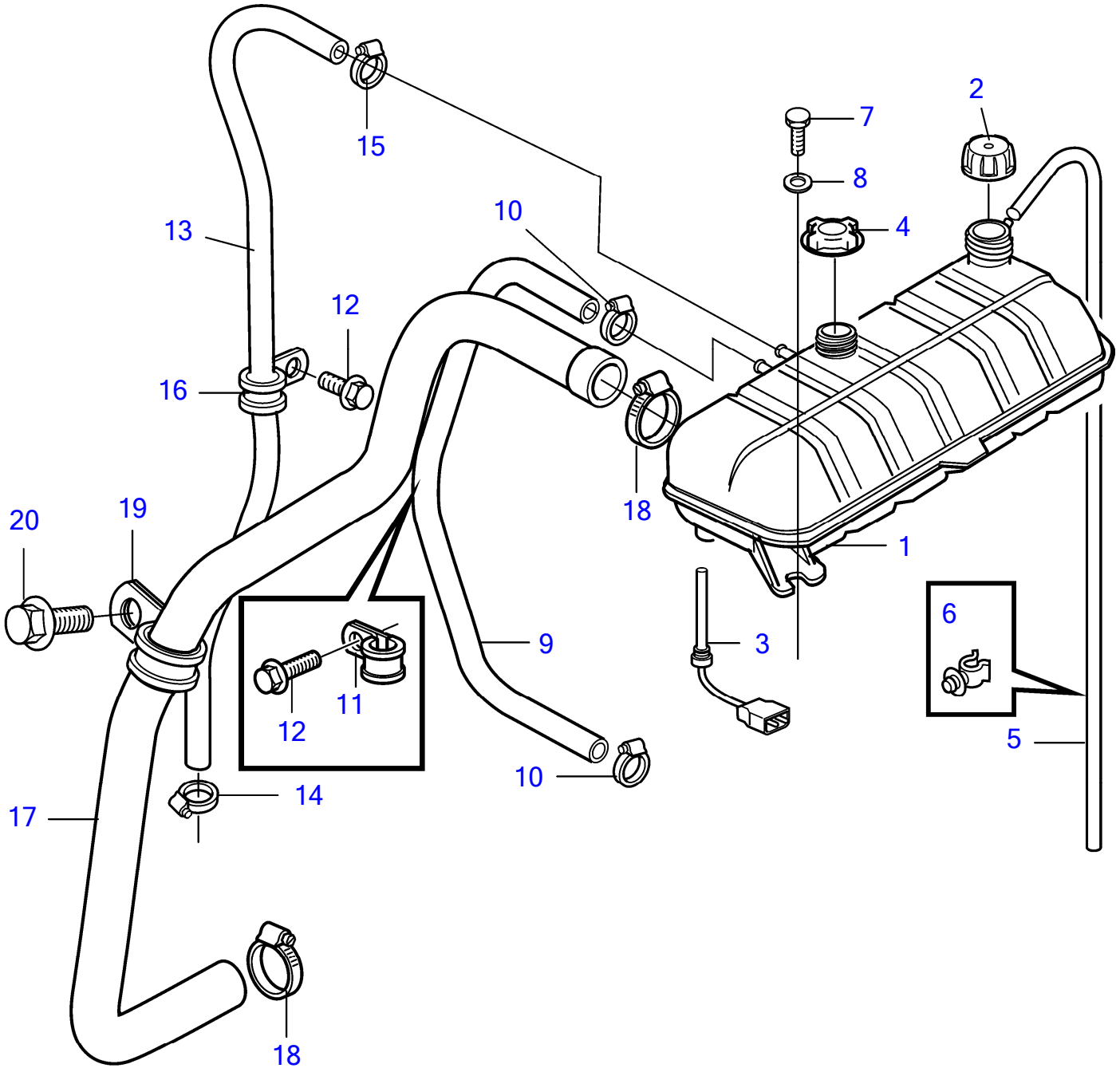
REF	PART NO.	QTY	DESCRIPTION	NOTES
1	21661750	1	Expansion tank	
2	21661754	1	• Cap	
3	21661774	1	• Level sensor	
4	21661791	1	• Cover	
5	990536	1	Rubber hose, air venting	L=2300mm
6		3	Attaching lug	
7	946440	5	Flange screw	
8		3	Washer	
9	990536	1	Rubber hose	L=800mm
10	994556	2	Hose clamp	
11	967949	1	Flange screw	
12	20860404	1	Clamp	
13	21662524	1	Hose	
14	21663462	1	Hose clamp	
15	943471	5	Hose clamp	
16	994442	1	Flange screw	
17	21697495	1	Hose	EGR
18	21697516	1	T-nipple	EGR
19	21697494	1	Hose	
20	21661157	1	Hose	
21	20798511	2	Hose clamp	
22	888852	1	Attaching clamp	
23	946440	1	Flange screw	



24450

TAD734GE

REF	PART NO.	QTY	DESCRIPTION	SEE SEC.
1	20585482	1	Expansion tank	
2	20585486	1	• Cap	
3		1	• Level sensor	54161523
4		1	Hose, air venting	
5		3	Attaching lug	
6		3	Screw	
7		3	Washer	
8	21043287	1	Hose	
9	943471	2	Hose clamp	
10	20860404	1	Clamp	
11	967949	1	Flange screw	
12	21041872	1	Hose	
13	20893584	2	Hose clamp	
14	888852	2	Attaching clamp	
15	20405792	2	Flange screw	
16	21226021	1	Hose	
17	20912088	1	O-ring	
18	20912085	1	Plug	
19	20912091	1	Bracket	

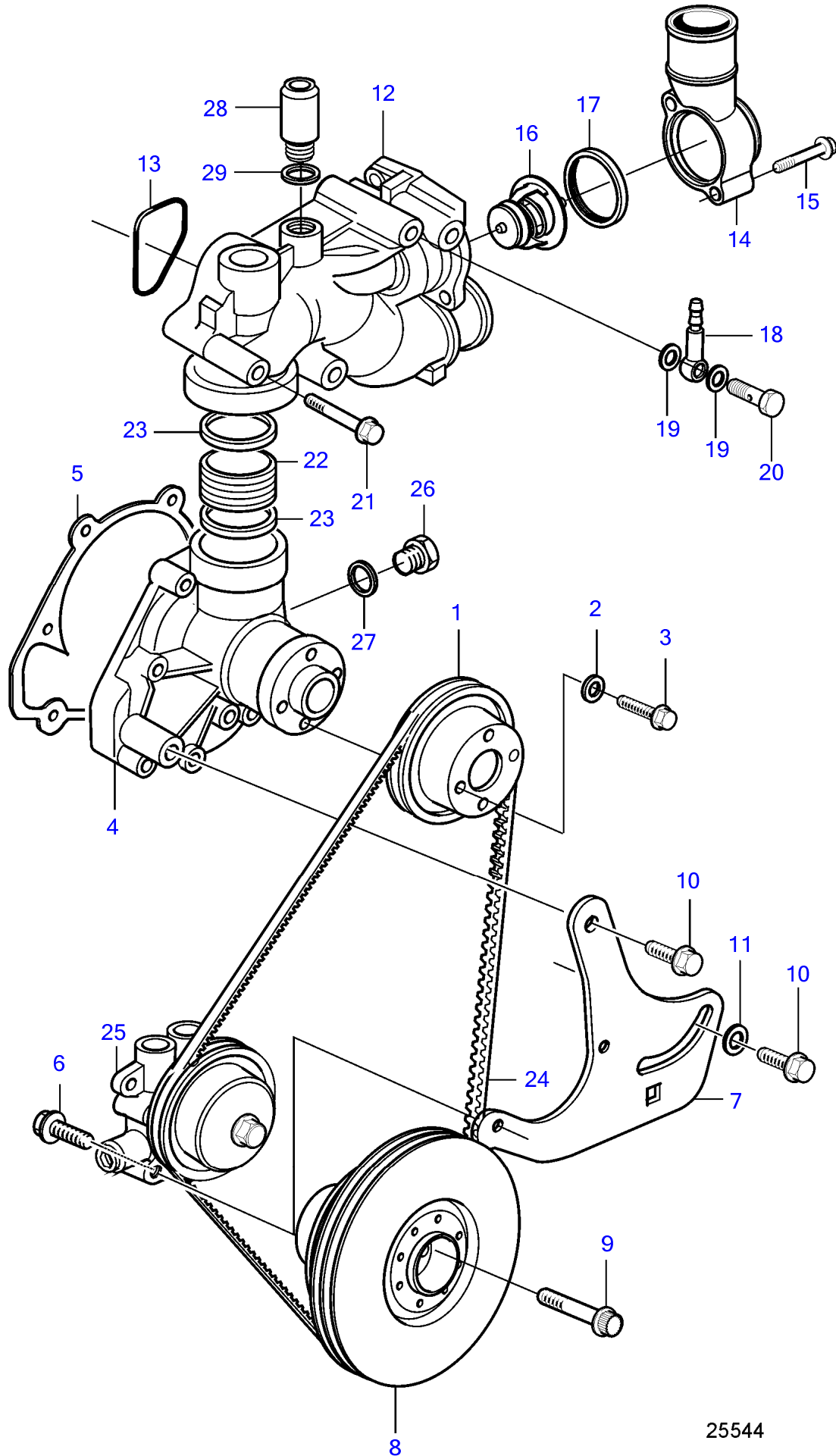


27480

TAD734GE

REF	PART NO.	QTY	DESCRIPTION	NOTES
1	21661750	1	Expansion tank	
2	21661754	1	• Cap	
3	21661774	1	• Level sensor	
4	21661791	1	• Cover	
5	990536	1	Rubber hose, air venting	L=2300mm
6		3	Attaching lug	
7	946440	5	Flange screw	
8		3	Washer	
9	990536	1	Rubber hose	L=800mm
10	994556	2	Hose clamp	
11	967949	1	Flange screw	
12	20860404	2	Clamp	
13	21662524	1	Hose	
14	21663462	1	Hose clamp	
15	943471	2	Hose clamp	
16	994442	1	Flange screw	
17	21661157	1	Hose	
18	20798511	2	Hose clamp	
19	888852	1	Attaching clamp	
20	946440	1	Flange screw	

TAD750GE, TAD751GE

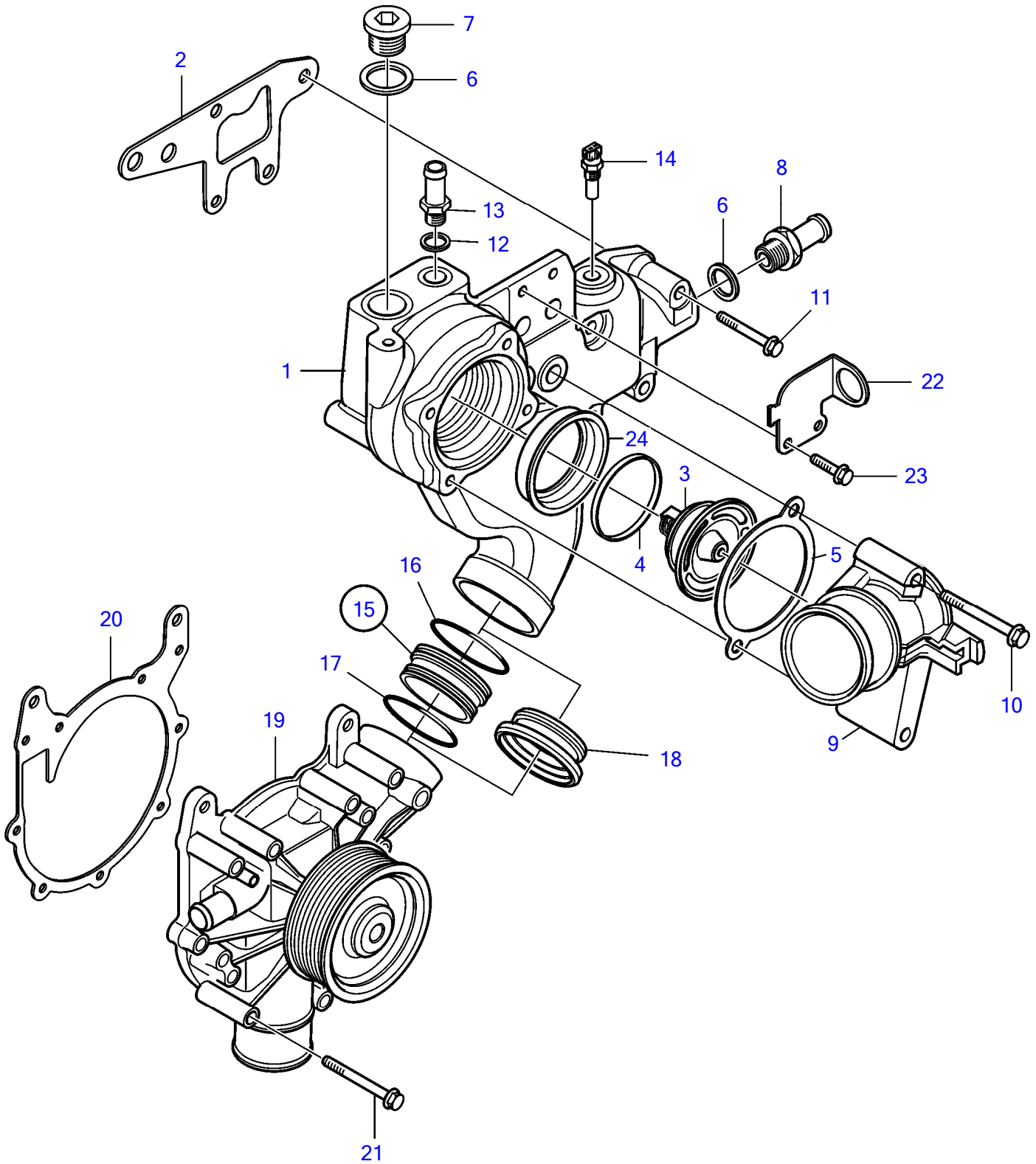


25544

TAD750GE, TAD751GE

REF	PART NO.	QTY	DESCRIPTION	SEE SEC.	NOTES
1	21281782	1	Pulley		For TAD550,551GE
	20405705	1	Pulley		For TAD750,751GE
2	20450745	4	Washer		
3	984733	4	Flange screw		
4	21727936	1	Water pump kit		
	3803516	1	Coolant pump		
5	20405691	1	Gasket		
6	20512299	2	Flange screw		
7	20405708	1	Bracket		
8		1	V-belt pulley	54161551	
9		4	Screw	54161551	
10	20783276	2	Hexagon screw		Replaced by 60112420
	60112420	2	Hexagon screw		
11	20405734	1	Washer		
12	21260062	1	Thermostat housing		
13	20798076	1	O-ring		
14	20450735	1	Outlet pipe		
15	973924	2	Flange screw		
16	20460312	1	Thermostat		
17	20459961	1	Sealing ring		
18	20551429	1	Fitting		
19	947281	2	Gasket		
20	20460936	1	Hollow screw		
21	20792140	4	Flange screw		
22	20405693	1	Spacer		
23	20412325	2	O-ring		
24	20492336	1	V-belt		L=1050mm, For TAD550,551GE
	21665804	1	Belt		For TAD750,751GE
25	21021484	1	Fuel pump		SN-11921842
	22802475	1	Fuel pump		SN11921843-
26	20502245	1	Plug		
27	947622	1	Gasket		
28	20412313	1	Hose connection		
29	947622	1	Gasket		

TAD734GE, TAD752GE, TAD753GE, TAD754GE

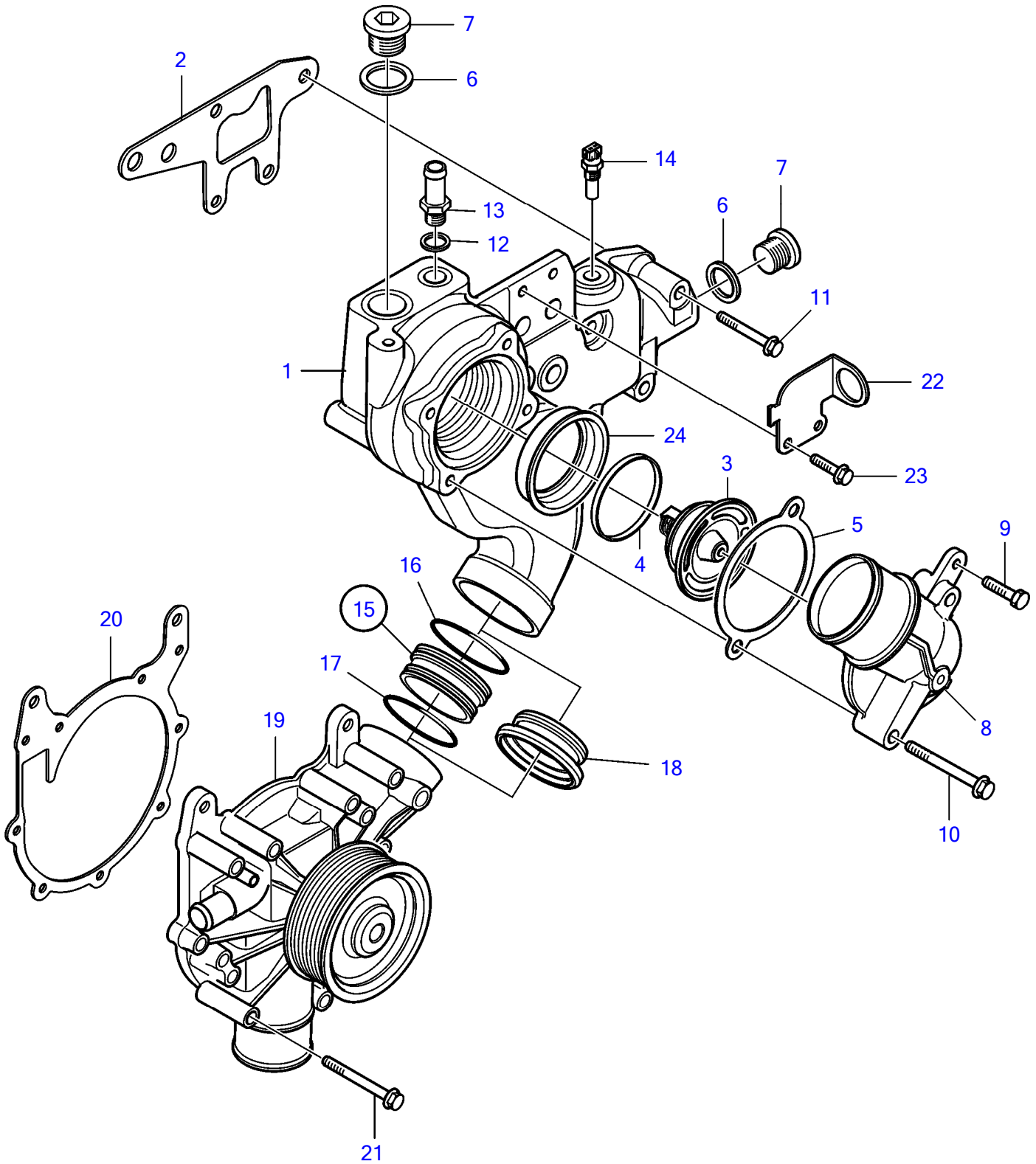


28274

TAD734GE, TAD752GE, TAD753GE, TAD754GE

REF	PART NO.	QTY	DESCRIPTION	SEE SEC.	NOTES
1	21883641	1	Thermostat housing		Replaced by 22058773
	22058773	1	Thermostat housing		
2	21142470	1	Plane gasket		
3	21360430	1	Thermostat		86°C
4	20798938	1	Sealing ring		Replaced by 22569028
	22569028	1	Attachment kit		
5	20794103	1	Gasket		
6	993407	1	Gasket		
7	20459195	1	Plug		
8	20799929	1	Adapter		
9	21142457	1	Branch pipe		
10	994386	2	Flange screw		Obsolete part
11	984740	4	Flange screw		
12	11996	1	Gasket		
13	21039391	1	Hose connection		
14		1	Ect sensor	54158099	
15	20799907	1	Adapter		Replaced by 21364517
16	20799129	1	• O-ring		
17	20799131	1	• O-ring		
18	21364517	1	Plug		
19	3801244	1	Coolant pump		
20	21632658	1	Plane gasket		
21	20460124	7	Flange screw		
22	21033221	1	Bracket		
23	984733	15	Flange screw		
24	21567798	1	Ring		SN11049067-, Replaced by 22569028
	22569028	1	Attachment kit		

TAD734GE

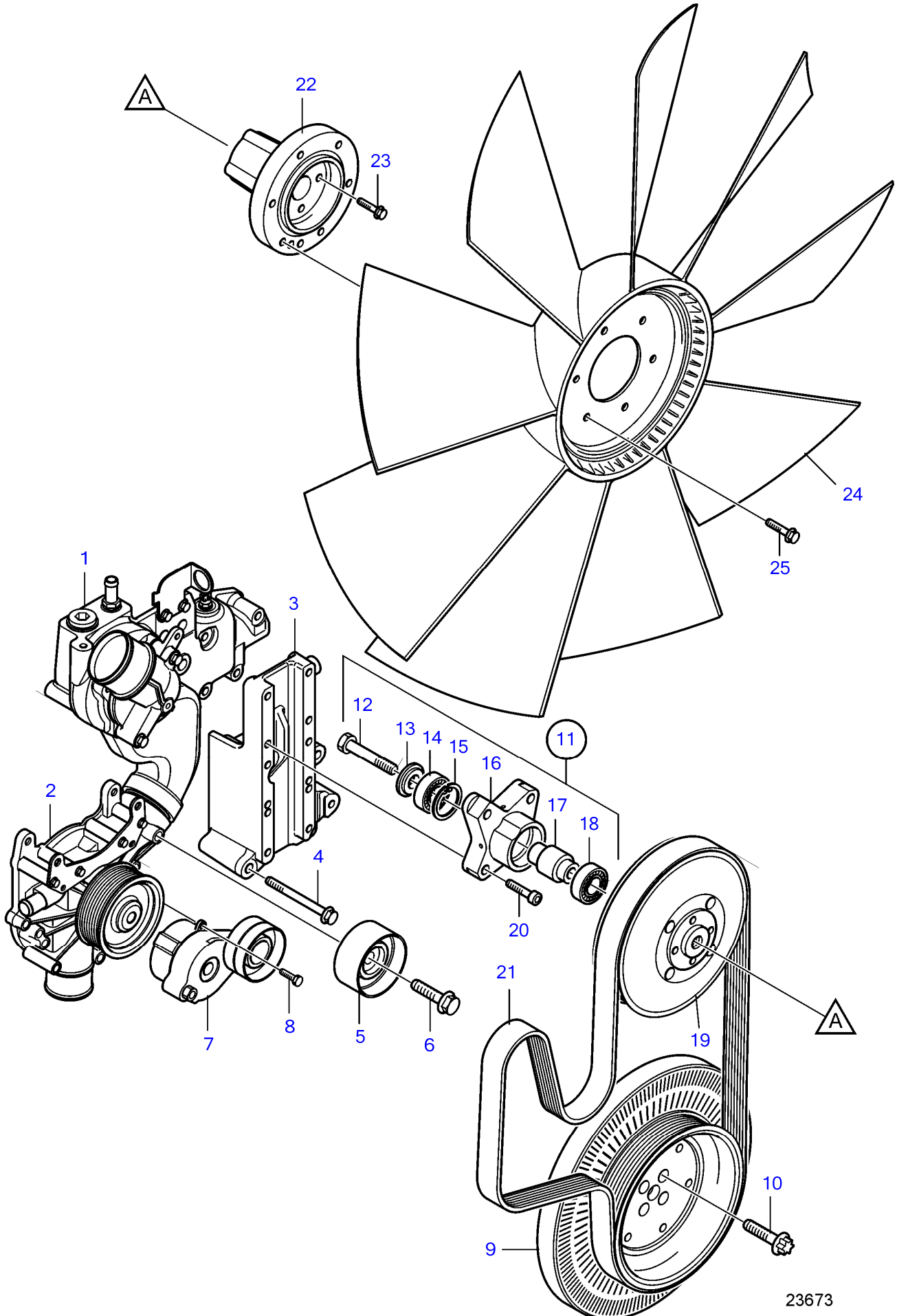


28273

TAD734GE

REF	PART NO.	QTY	DESCRIPTION	SEE SEC.	NOTES
1	21883641	1	Thermostat housing		Replaced by 22058773
	22058773	1	Thermostat housing		
2	20794095	1	Gasket		SN-10563076
	21142470	1	Plane gasket		SN10563077-
3	21061992	1	Thermostat		83°C, (20914594), Replaced by 21360430
	21360430	1	Thermostat		86°C
4	20798938	1	Sealing ring		Replaced by 22569028
	22569028	1	Attachment kit		
5	20794103	1	Gasket		
6	947628	1	Gasket		
7	20459195	2	Plug		
8	20858068	1	Branch pipe		
9	21039431	2	Hexagon screw		
10	994386	2	Flange screw		
11	20450802	4	Flange screw		
12	947622	1	Gasket		
13	21039391	1	Hose connection		
14		1	Ect sensor	54158099	
15	20799907	1	Adapter		Replaced by 21364517
16	20799129	1	• O-ring		
17	20799131	1	• O-ring		
18	21364517	1	Plug		
19	3801244	1	Coolant pump		
20	20793735	1	Gasket		
21	20460124	7	Flange screw	54158068	
22	21033221	1	Bracket		
23	20405792	15	Flange screw		
24	21567798	1	Ring		SN11049067-, Replaced by 22569028
	22569028	1	Attachment kit		

TAD734GE

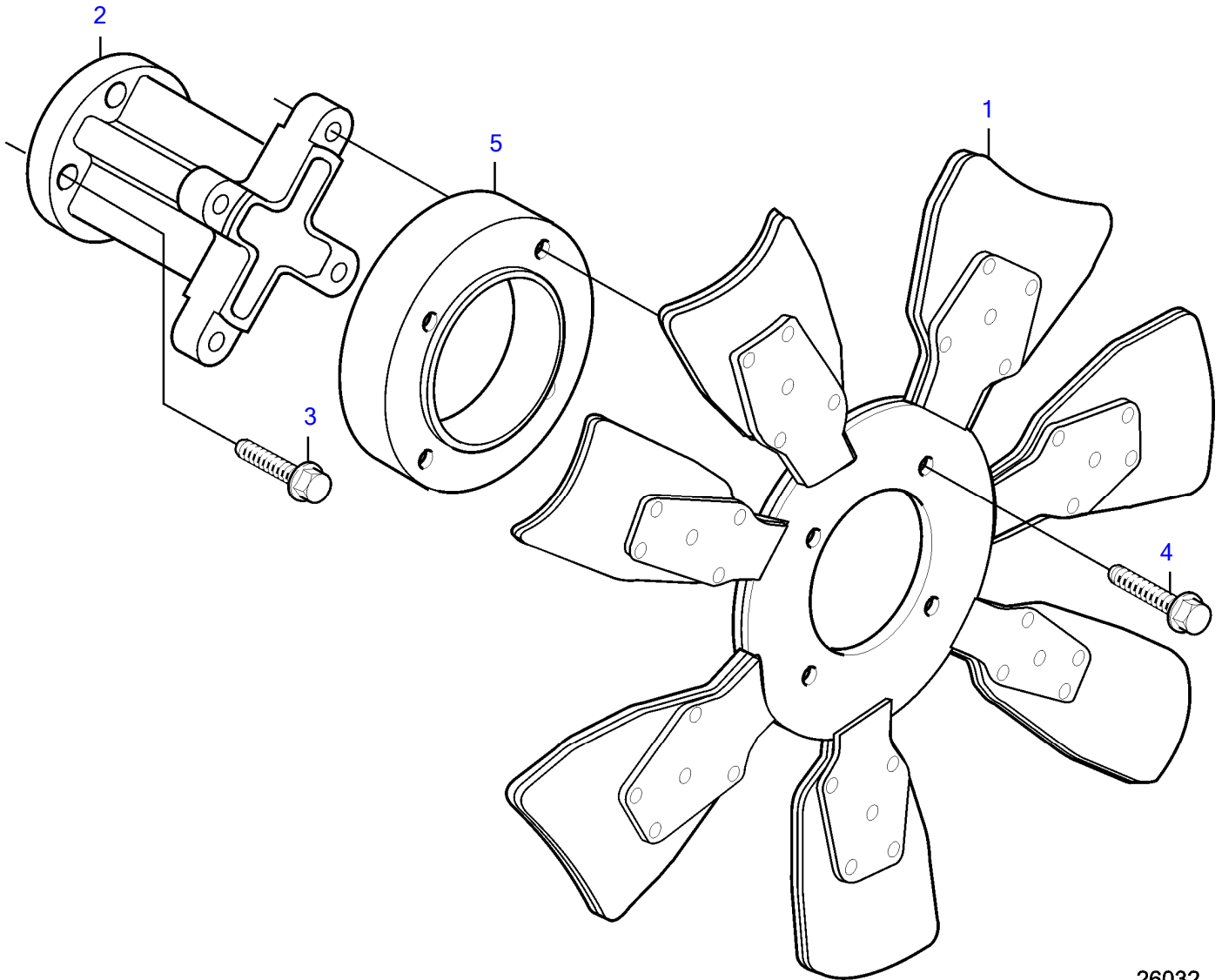


23673

TAD734GE

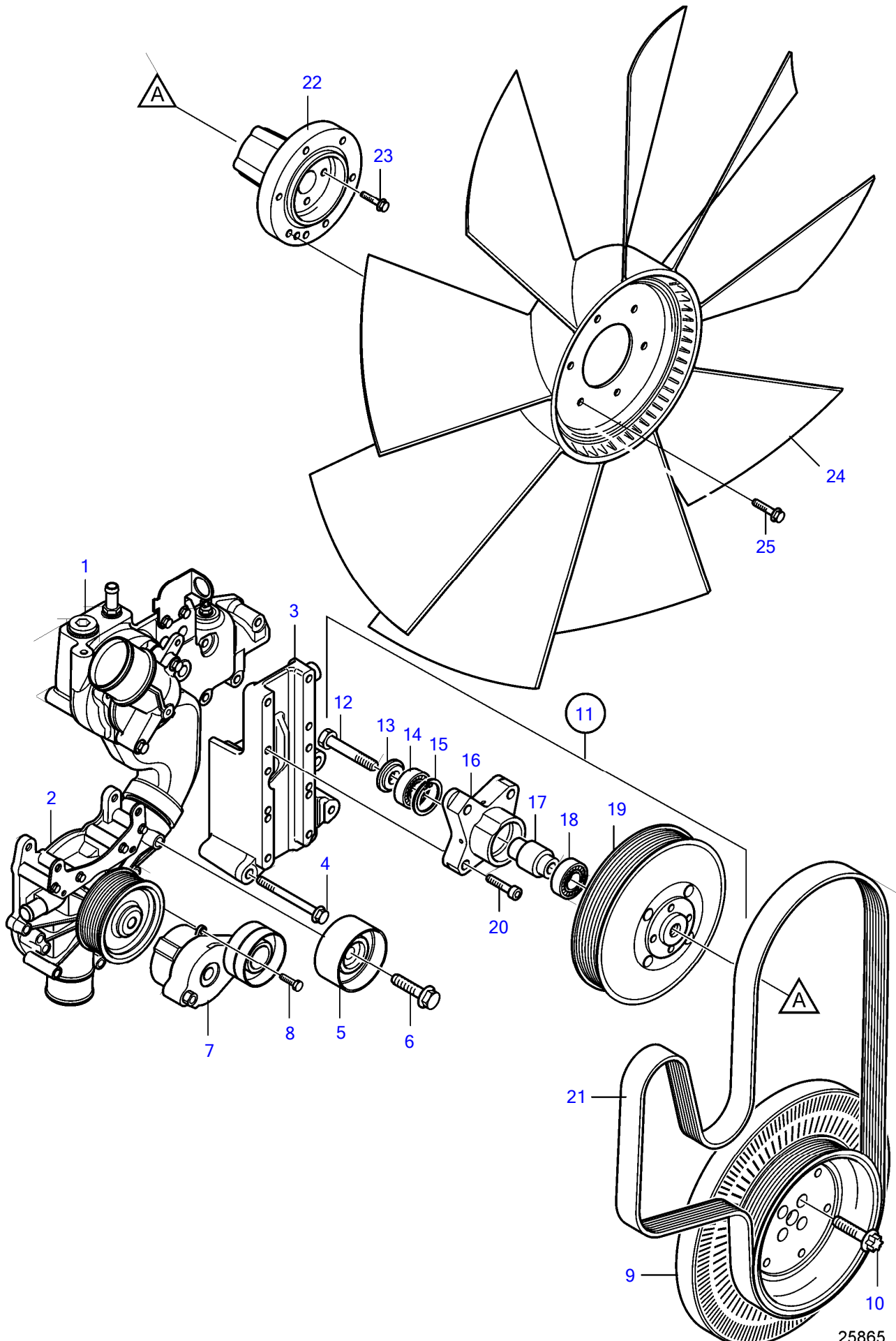
REF	PART NO.	QTY	DESCRIPTION	SEE SEC.	NOTES
1		1	Thermostat housing	54158053	
2		1	Circulation pump	54158053	
3	21033920	1	Fan bracket		
4	20797345	4	Flange screw		
5	20795604	1	Idler roller		
6		1	• Screw		
7	20939282	1	Belt tensioner		Replaced by 20939284
	20939284	1	Belt tensioner		
8	984759	1	Flange screw		
9		1	Pulley	54158034	
10		1	Screw	54158034	
11		1	Fan bracket, Support		
12	20450754	1	• Hexagon screw		
13	20999732	1	• Washer		
14	996518	1	• Ball bearing		(20450750)
15	914529	1	• Snap ring		
16	21901728	1	• Bearing bracket		
17	21009699	1	• Shaft		
18	996519	1	• Ball bearing		
19	20800016	1	V-belt pulley		
20	20459263	4	Hex. socket screw		
21	21089697	1	Belt		Replaced by 21259870
	21259870	1	Belt		Replaced by 60113465
	60113465	1	V-ribbed belt		SN22000096-
22	21034597	1	Adapter		
23	984744	4	Flange screw		
24	21034351	1	Fan		
25	970947	6	Hexagon screw		

TAD750GE, TAD751GE



26032

TAD750GE, TAD751GE, TAD752GE, TAD753GE, TAD754GE

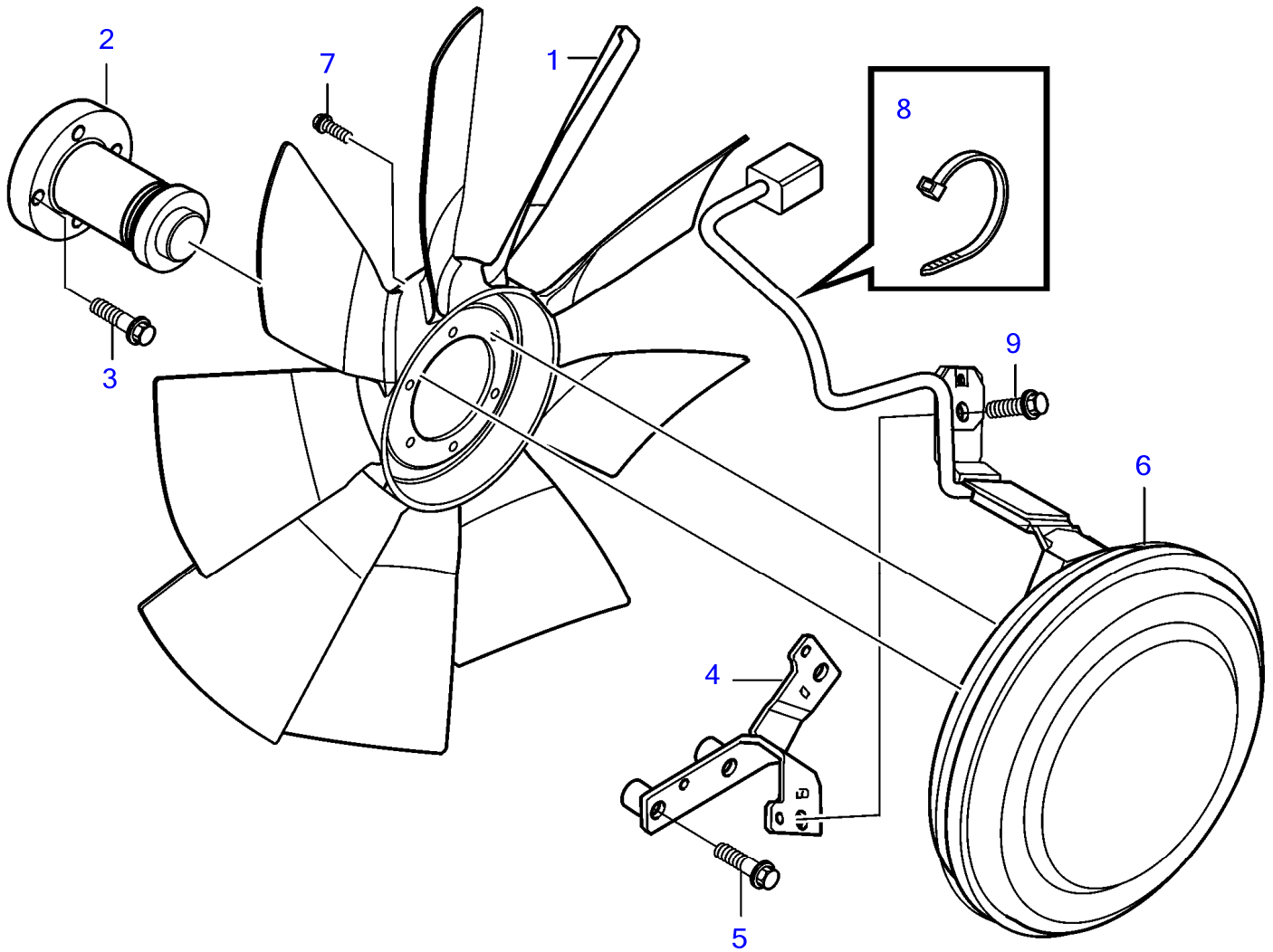


25865

TAD750GE, TAD751GE, TAD752GE, TAD753GE, TAD754GE

REF	PART NO.	QTY	DESCRIPTION	SEE SEC.	NOTES
1		1	Thermostat housing	54161508	
2		1	Circulation pump	54161508	
3	21632721	1	Fan bracket		
4	975104	4	Flange screw		
5	20795604	1	Idler roller		
6		1	• Screw		
7	21500149	1	Belt tensioner		
8	20797251	1	Flange screw		
9		1	Pulley	54161498	
10		1	Screw	54161498	
11		1	Pulley, Support		
12	20450754	1	• Hexagon screw		
13	20999732	1	• Washer		
14	993852	1	• Ball bearing		
15	914529	1	• Snap ring		
16	20999729	1	• Bearing bracket		
17	20999715	1	• Shaft		
18	993853	1	• Ball bearing		
19	20800016	1	• V-belt pulley		
20	20459263	4	Hex. socket screw		
21	21259870	1	Belt		Replaced by 60113465
	60113465	1	V-ribbed belt		SN22000096-
22	21034597	1	Adapter		
23	993447	4	Flange screw		
24	21034351	1	Fan		
25	970947	6	Hexagon screw		

TAD752GE, TAD753GE, TAD754GE

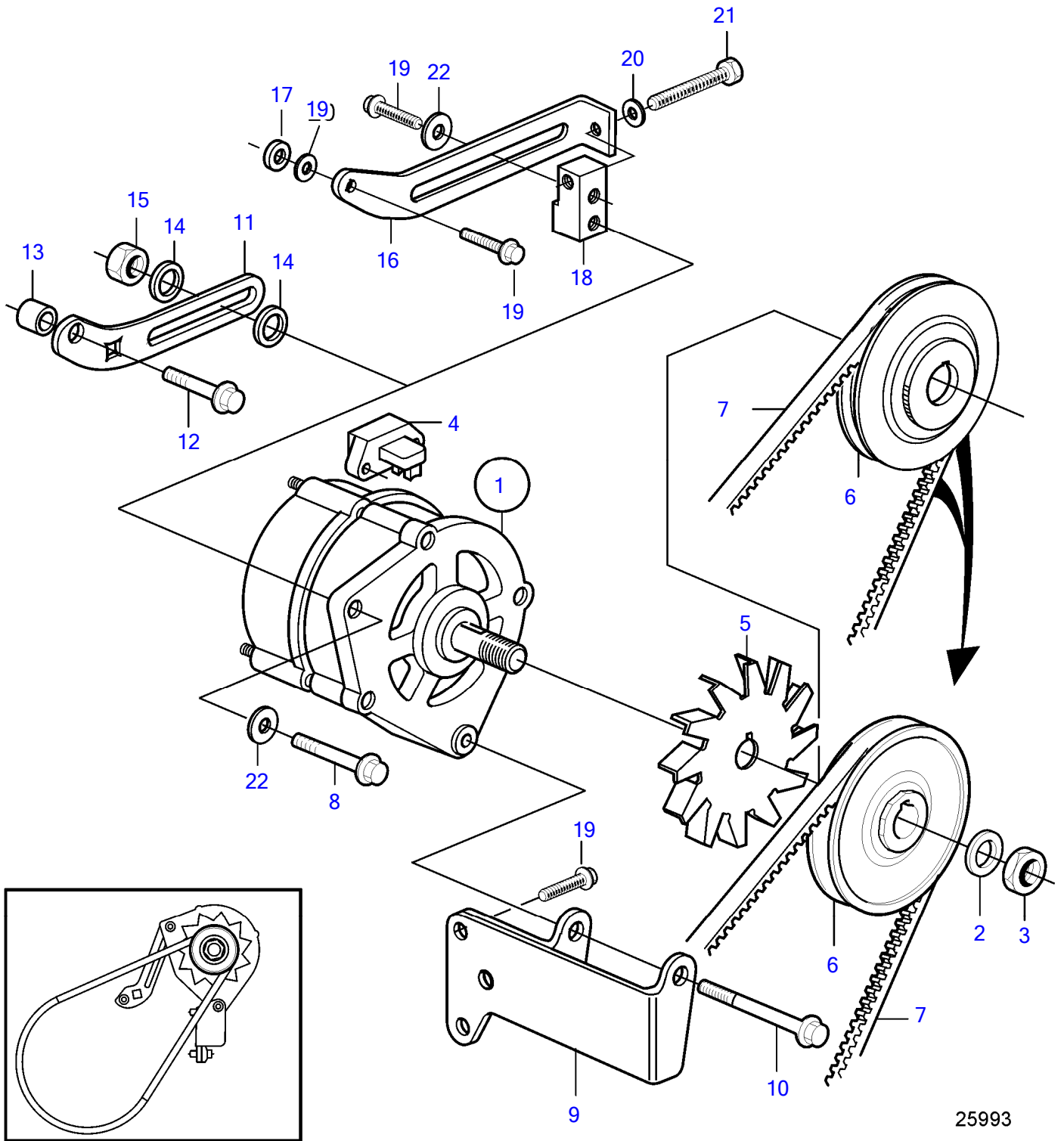


28185

TAD752GE, TAD753GE, TAD754GE

REF	PART NO.	QTY	DESCRIPTION	NOTES
1	21757559	1	Fan, hot climate	Pusher type.
2	21757563	1	Adapter	
3	946671	4	Flange screw	
4	21991068	1	Bracket	
5	965185	2	Flange screw	
6	22259219	1	Clutch	
7	21318856	6	Six point screw	
8	20834570	2	Retainer	
9	984733	1	Flange screw	

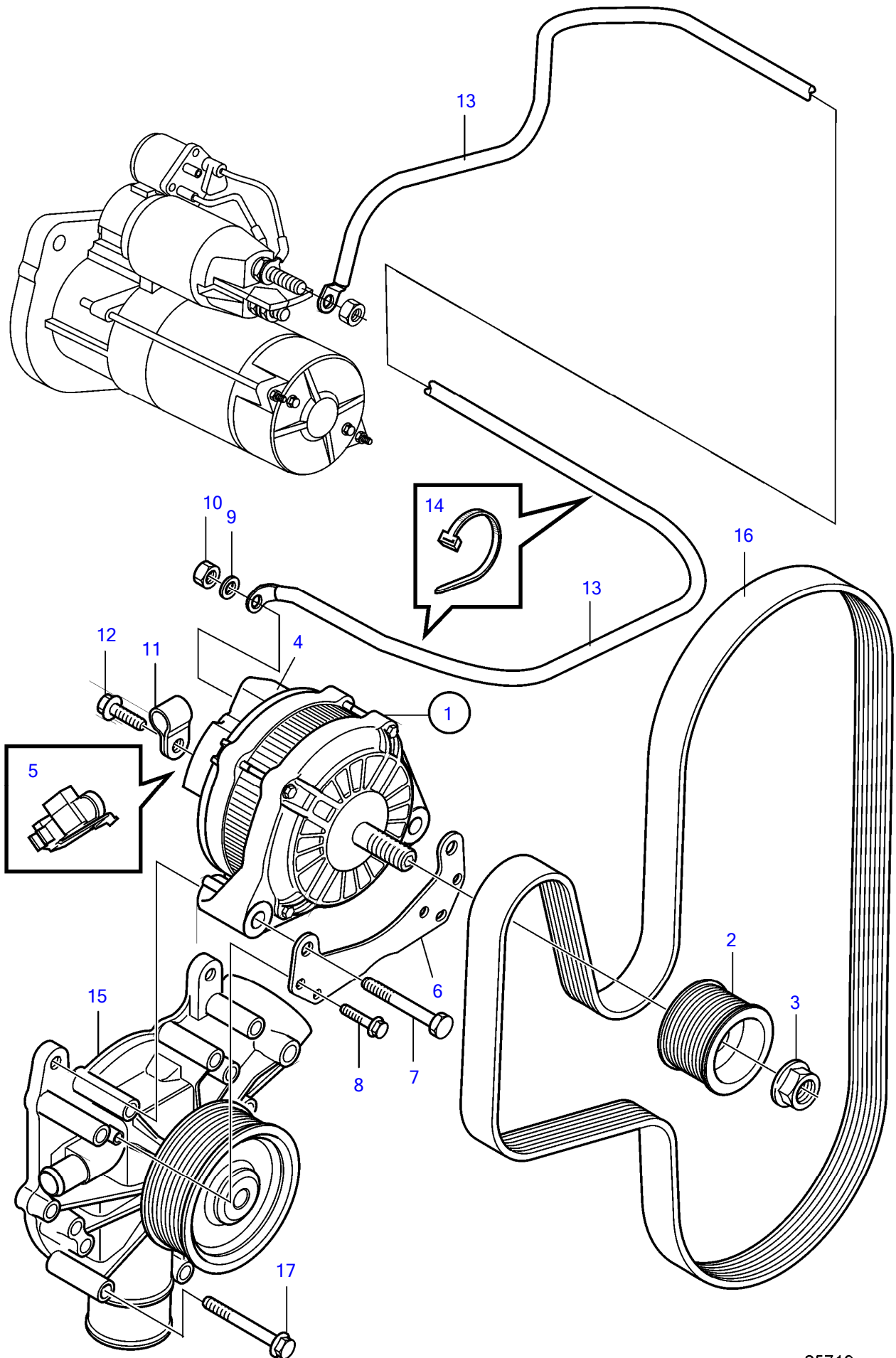
TAD750GE, TAD751GE



TAD750GE, TAD751GE

REF	PART NO.	QTY	DESCRIPTION	NOTES
1	21489727	1	Alternator, 28V 55A	
2	976944	1	• Washer	
3	20441521	1	• Hexagon nut	
4	21302013	1	• Voltage regulator	
5	(20412484)	1	Fan	Obsolete part
6	20756549	1	Pulley	
7	20460445	1	V-belt	Fan Belt, L=975mm, Option
	978515	1	V-belt	Fan Belt 1025mm
8	955306	1	Hexagon screw	L=75mm
9	20460448	1	Bracket	
10	955306	1	Hexagon screw	
11	20405804	1	Tensioner	
12	20405917	1	Flange screw	
13	20405803	1	Bushing	
14	20405802	2	Washer	
15	20501349	1	Hexagon nut	
16	20797044	1	Lock strap	
17	20460226	1	Washer	
18	20776770	1	Tensioner	
19	20512299	3	Flange screw	
20	969118	1	Washer	
21	20516135	1	Hexagon screw	
22	20405734	1	Washer	(20776767), SN1025583-

TAD752GE, TAD753GE, TAD754GE

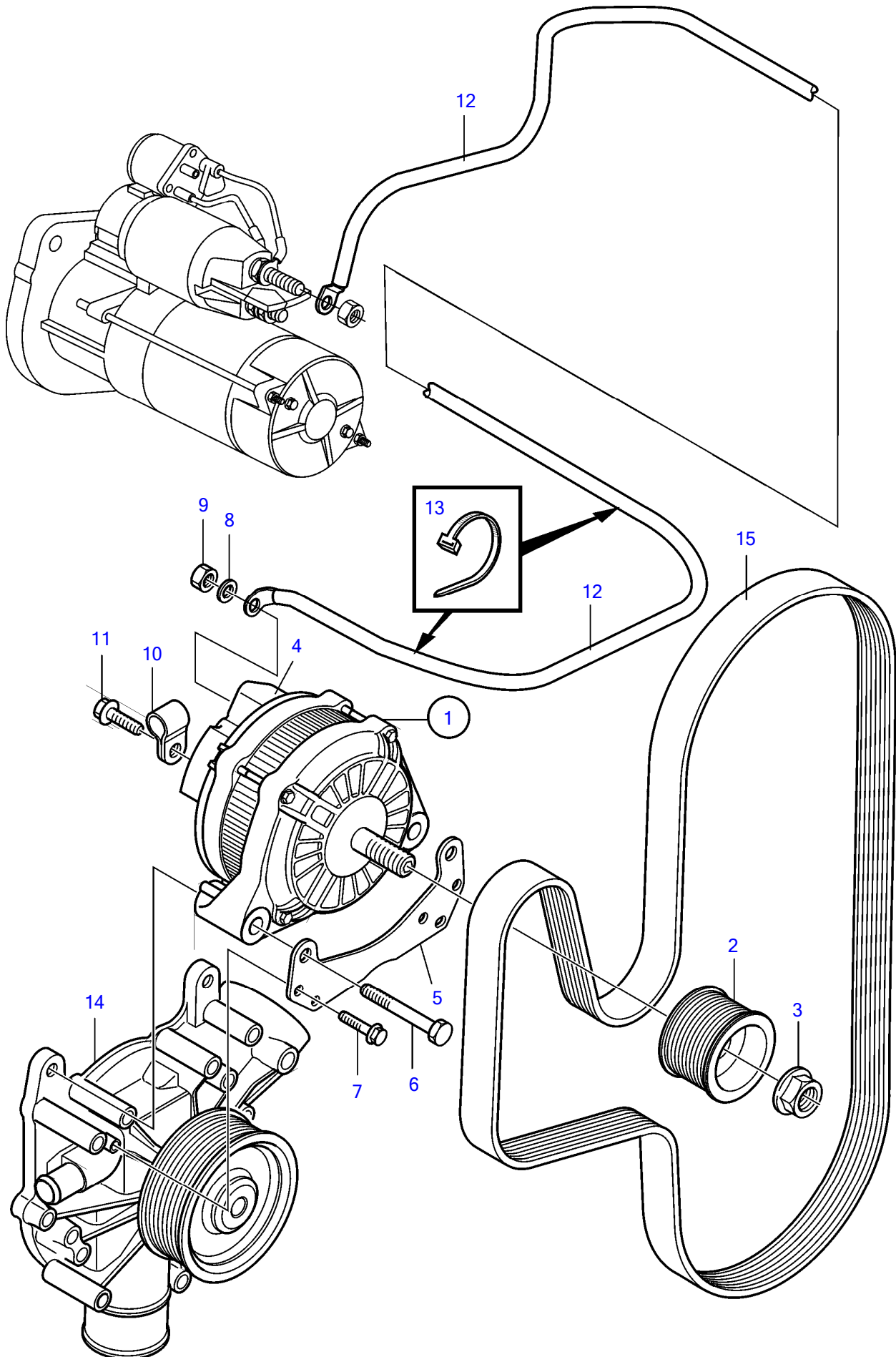


25719

TAD752GE, TAD753GE, TAD754GE

REF	PART NO.	QTY	DESCRIPTION	SEE SEC.	NOTES
1	21321100	1	Alternator, 28V 100A		
2	20799739	1	• Pulley		
3	20796079	1	• Flange nut		
4	20799727	1	• Voltage regulator		
5	21034749	1	Connector		
6	20834412	1	Plate		
7	973924	2	Flange screw		
8	955271	1	Hexagon screw		
9	20859762	1	Washer		
10	990940	1	Flange nut		
11	20459181	1	Clamp		
12	969405	1	Six point socket scr		
13	21259035	1	Cable		Replaced by 22843492
	22843492	1	Cable		
14		2	Cable attachment		
15		1	Circulation pump	54161508	
16		1	Drive belt	54161509	
17	973924	2	Flange screw		

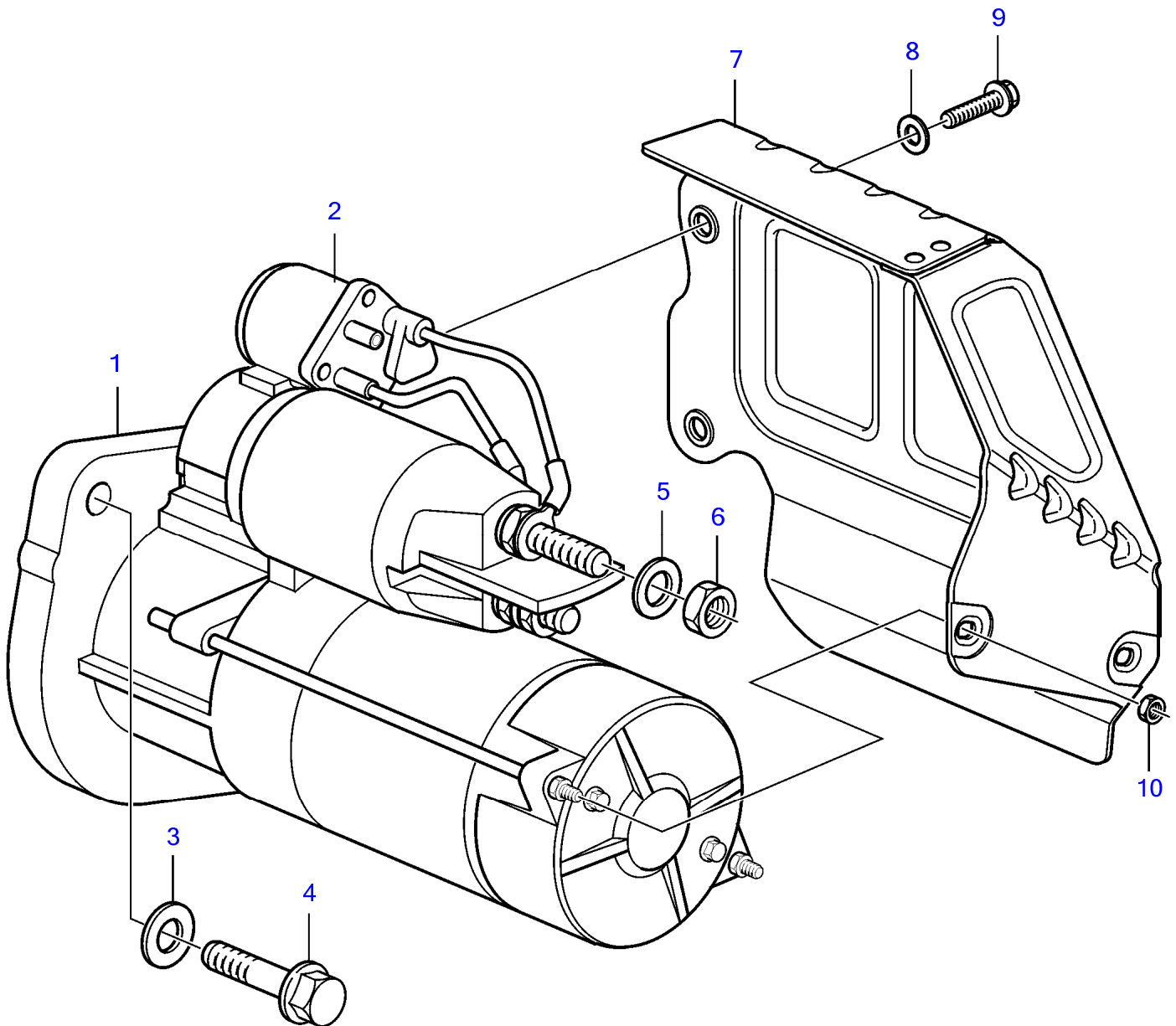
TAD734GE



TAD734GE

REF	PART NO.	QTY	DESCRIPTION	SEE SEC.	NOTES
1	21289221	1	Alternator		24V 100A
	3801363	1	Alternator, exch, exch		24V 100A
2	20799737	1	• Pulley		
3	20796079	1	• Flange nut		
4	20799727	1	• Voltage regulator		
5	20834412	1	Plate		
6	973924	2	Flange screw		
7	955271	1	Hexagon screw		
8	20859762	1	Washer		
9	990940	1	Flange nut		
10	20459181	1	Clamp		
11	969405	1	Six point socket scr		
12	21259035	1	Cable		Replaced by 22843492
	22843492	1	Cable		
13		2	Cable attachment		
14		1	Circulation pump	54158053	
15		1	Strap	54158054	

TAD750GE, TAD751GE

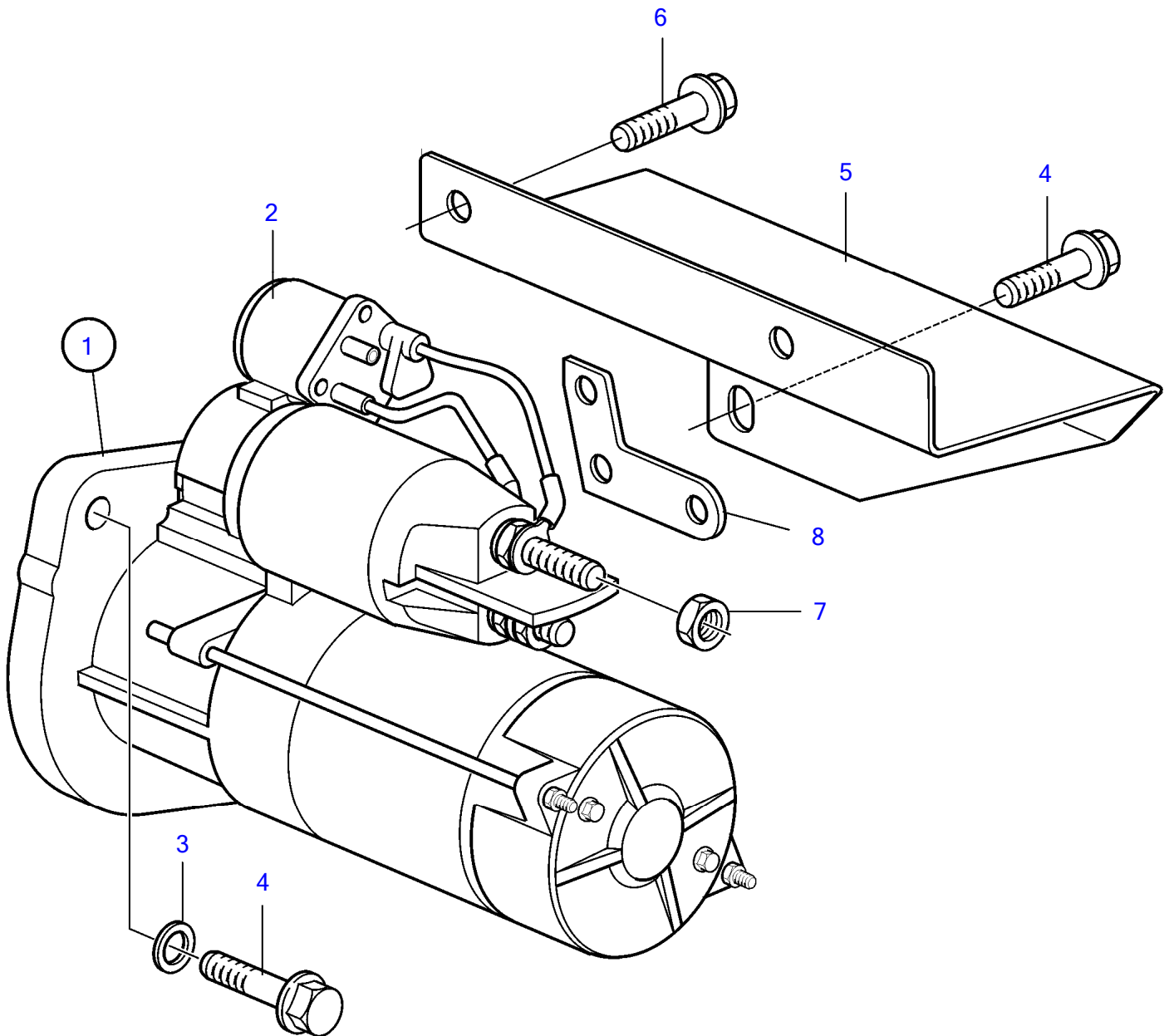


26410

TAD750GE, TAD751GE

REF	PART NO.	QTY	DESCRIPTION	NOTES
1	20938971	1	Starter	24V, 5.0kW, Replaced by 21645118
	3801168	1	Starter motor, exch, exch	24V, 5.0kW, Replaced by 21645118
	21645118	1	Starter motor	24V, 5.0kW, Replaced by 22859056
	22859056	1	Starter	24V, 5.0kW, Replaced by 23025980
	23025980	1	Starter motor	24V, 5.0kW
2	20796066	1	• Relay	
3	20549890	3	Washer	
4	984755	3	Flange screw	
5	20914985	2	Washer	
6	955780	2	Hexagon nut	
7	20859843	1	Baffle	Option
8	20792167	2	Washer	
9	20933391	2	Hexagon screw	
10	20933396	2	Flange nut	

TAD752GE, TAD753GE, TAD754GE

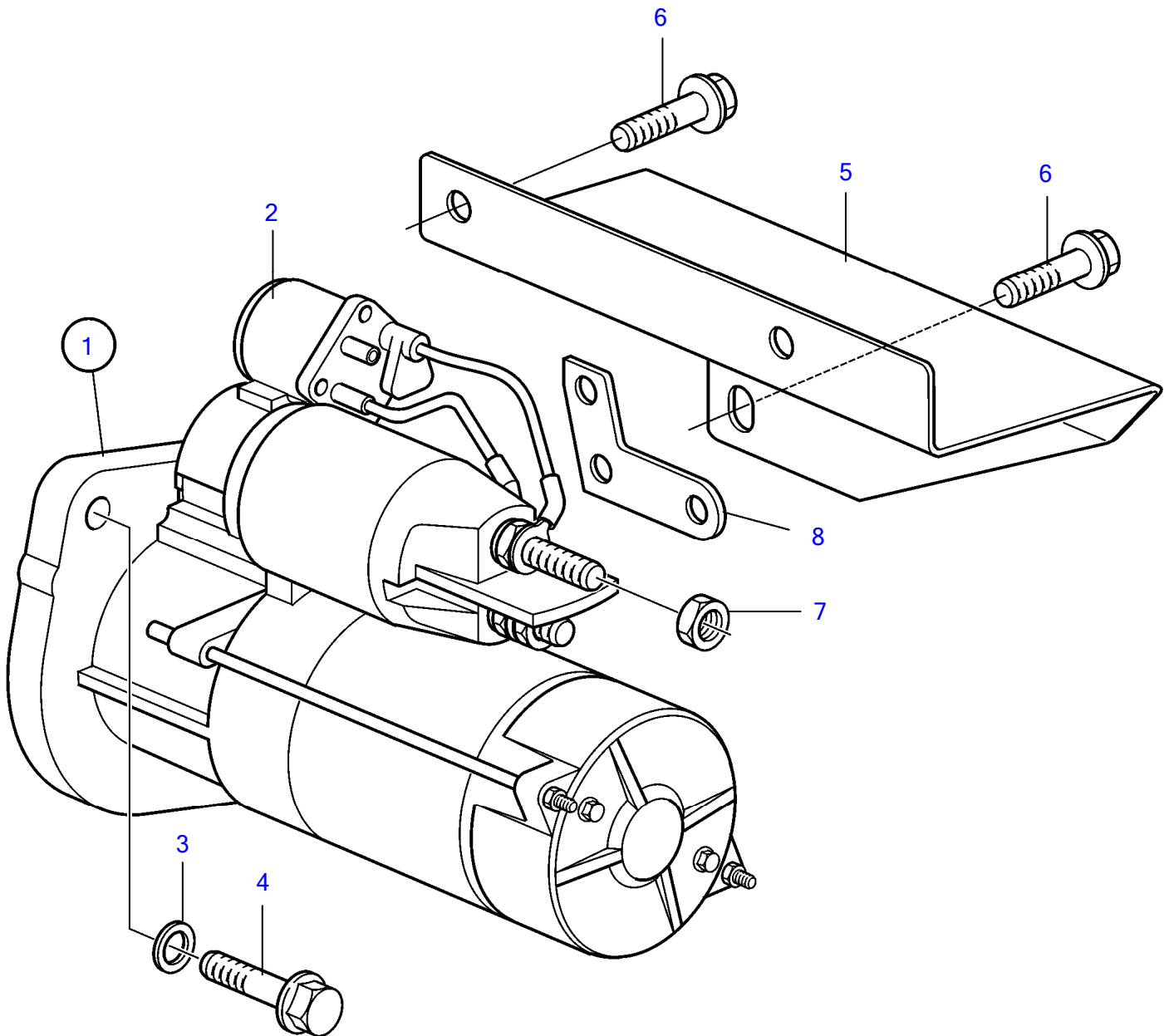


25579

TAD752GE, TAD753GE, TAD754GE

REF	PART NO.	QTY	DESCRIPTION	NOTES
1	20938971	1	Starter	24V, 5.0kW, Replaced by 21645118
	3801168	1	Starter motor, exch, exch	24V, 5.0kW, Replaced by 21645118
	22859056	1	Starter	24V, 5.0kW, Replaced by 21645118
	23025980	1	Starter motor	24V, 5.0kW, Replaced by 21645118
	21645118	1	Starter motor	24V, 5.0kW
2	20796066	1	• Relay	
3	20549890	3	Washer	
4	20933391	3	Hexagon screw	
5	21034007	1	Heat shield	Replaced by 23464851
	23464851	1	Heat shield	
6	984733	2	Flange screw	
7	971071	1	Hexagon nut	
8	20832521	1	Retaining plate	

TAD734GE, TAD750GE, TAD751GE, TAD752GE, TAD753GE, TAD754GE

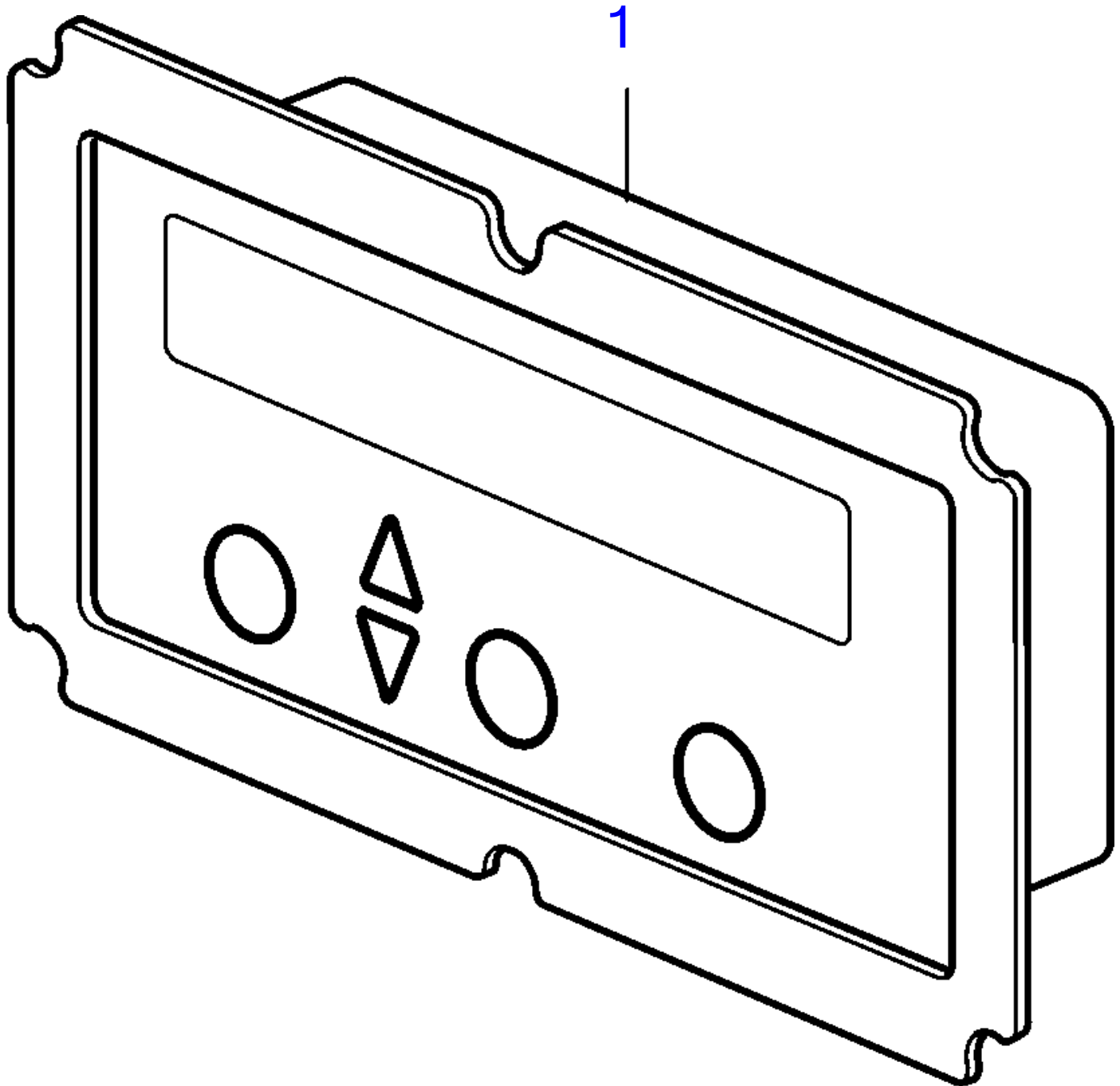


23676

TAD734GE, TAD750GE, TAD751GE, TAD752GE, TAD753GE, TAD754GE

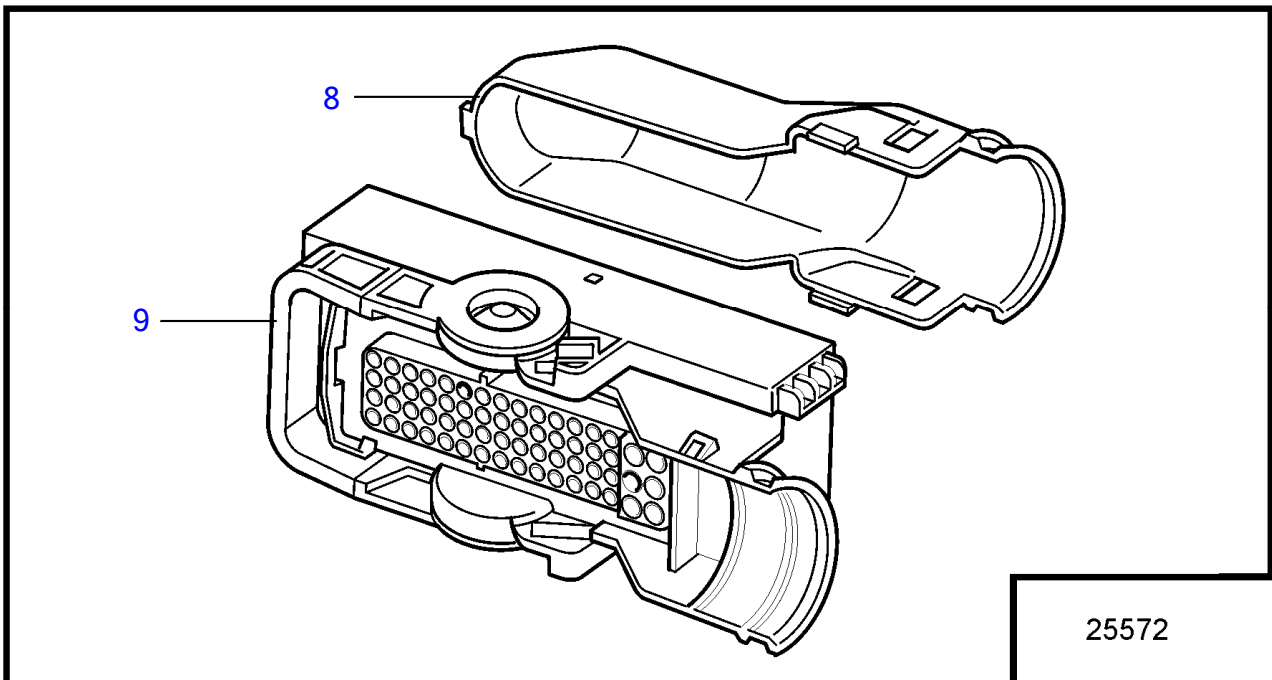
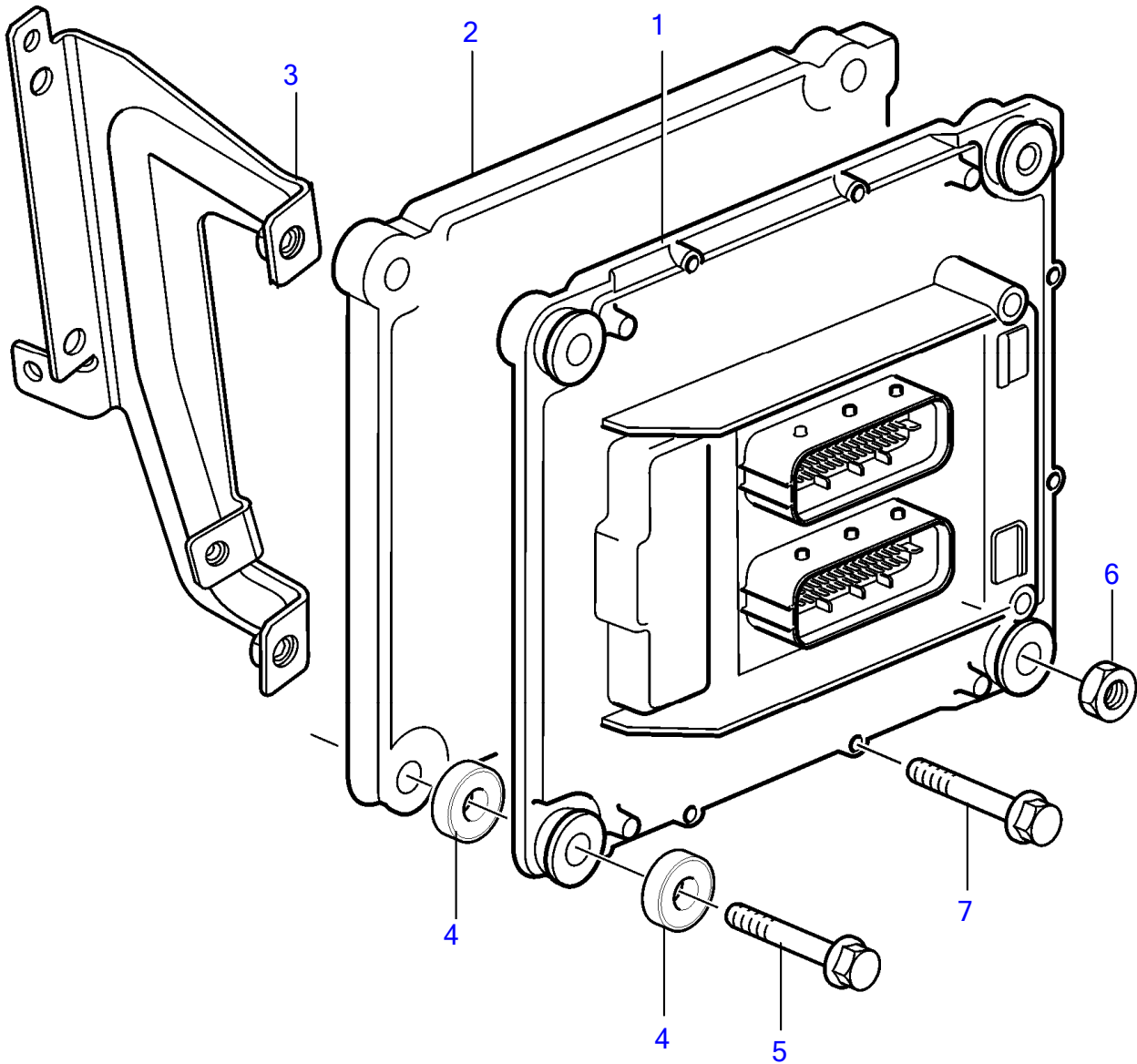
REF	PART NO.	QTY	DESCRIPTION	NOTES
1	3801168	1	Starter motor, exch • parts not sold separately	
2	20796066	1	• Relay	
3	20549890	3	Washer	
4	984755	3	Flange screw	
5	21034007	1	Heat shield	Replaced by 23464851
	23464851	1	Heat shield	
6	20405792	3	Flange screw	
7	971071	1	Hexagon nut	
8	20832521	1	Retaining plate	

TAD734GE, TAD750GE, TAD751GE, TAD752GE, TAD753GE, TAD754GE



22886

TAD750GE, TAD751GE, TAD752GE, TAD753GE, TAD754GE

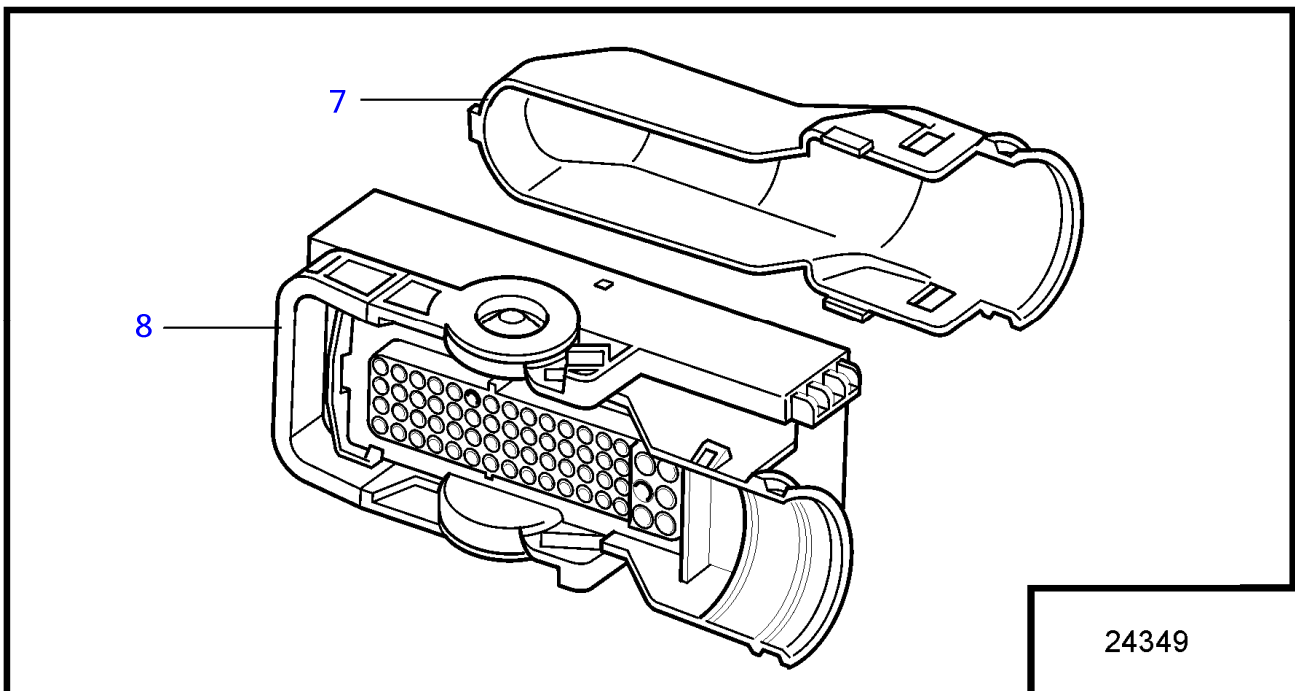
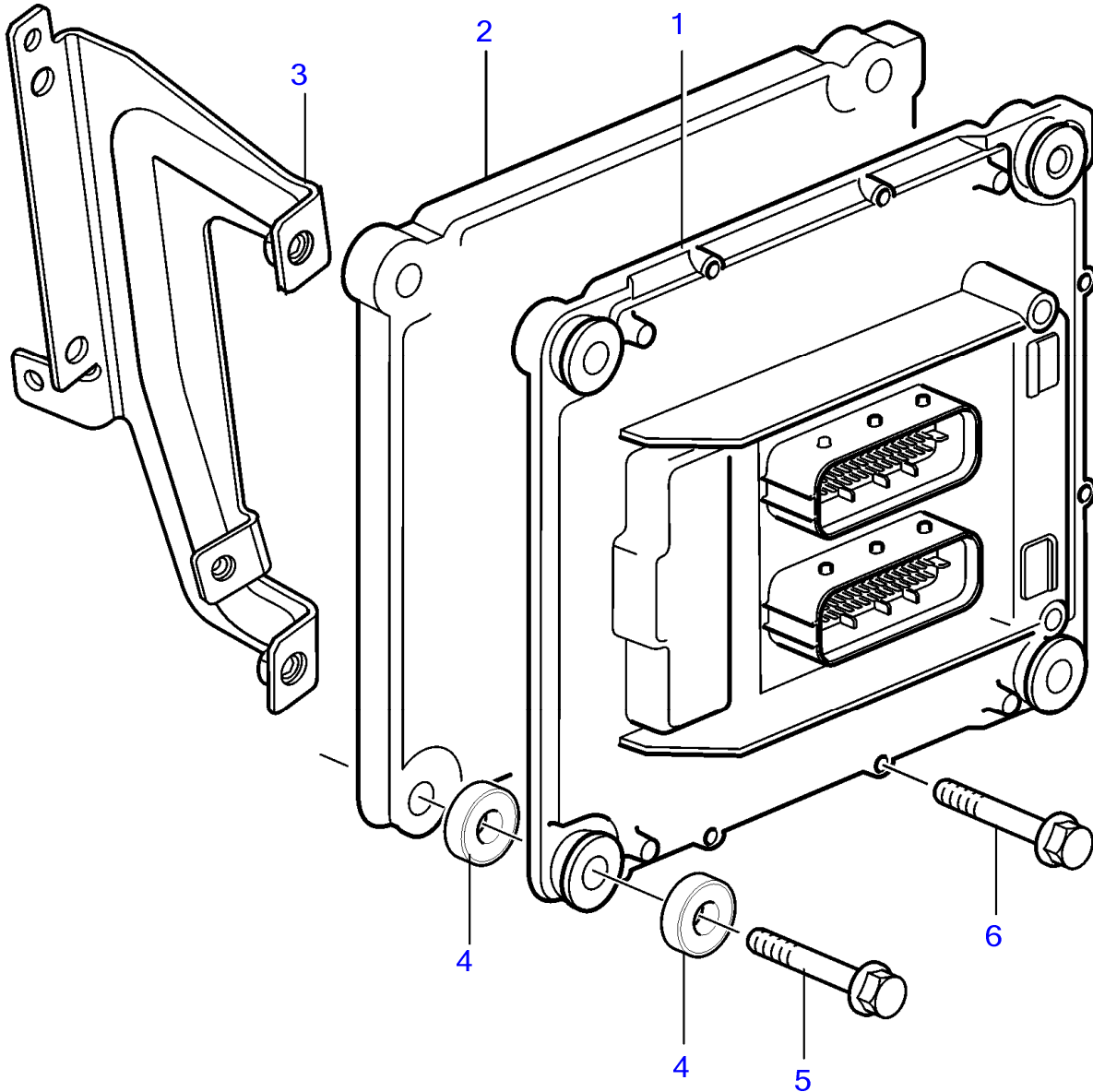


25572

TAD750GE, TAD751GE, TAD752GE, TAD753GE, TAD754GE

REF	PART NO.	QTY	DESCRIPTION	NOTES
1	60100010	1	Control unit, programmed	24V
	3586269	1	Software	Warehouse programming. This p/n can not be ordered, but will be used for invoicing.
	(3586268)	1	Software	Obsolete part, Vodia-programming. This p/n can not be ordered, but will be used for invoicing.
2	21280444	1	Bracket	
3	20939553	1	Support	
4	21071773	8	Rubber element	
5	975199	2	Flange screw	
6	990940	2	Flange nut	
7	984733	8	Flange screw	
8	20429844	1	Adapter	
9	20429842	1	Housing	

TAD734GE

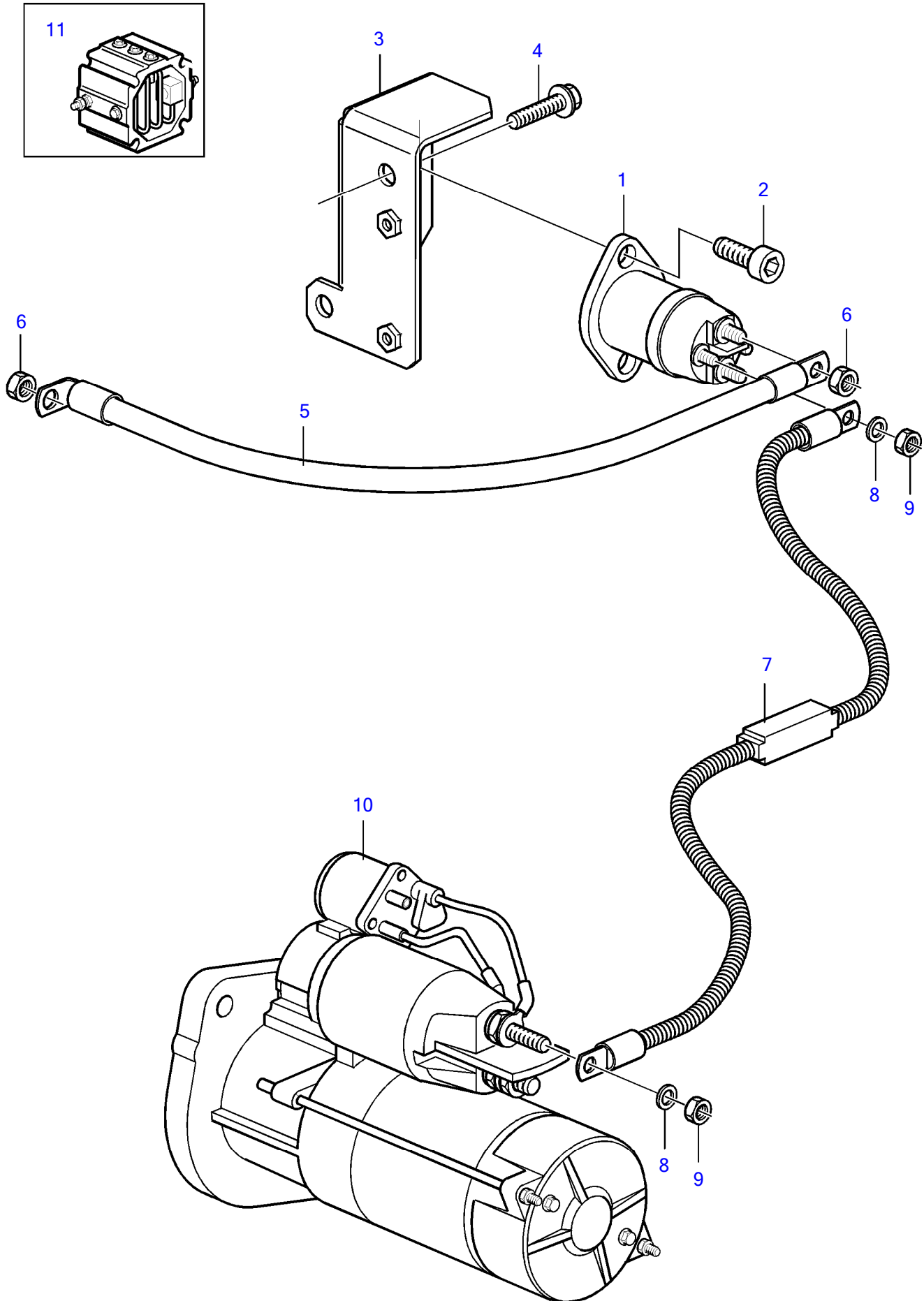


24349

TAD734GE

REF	PART NO.	QTY	DESCRIPTION	NOTES
1	60100001	1	Control unit, programmed	24V
	3586269	1	Software	Warehouse programming. This p/n can not be ordered, but will be used for invoicing.
	(3586268)	1	Software	Obsolete part, Vodia-programming. This p/n can not be ordered, but will be used for invoicing.
2	20861089	1	Bracket	
3	20939553	1	Support	
4	21071773	8	Rubber element	
5	984733	4	Flange screw	
6	20405792	8	Flange screw	
7	20429844	1	Adapter	
8	20429842	1	Housing	

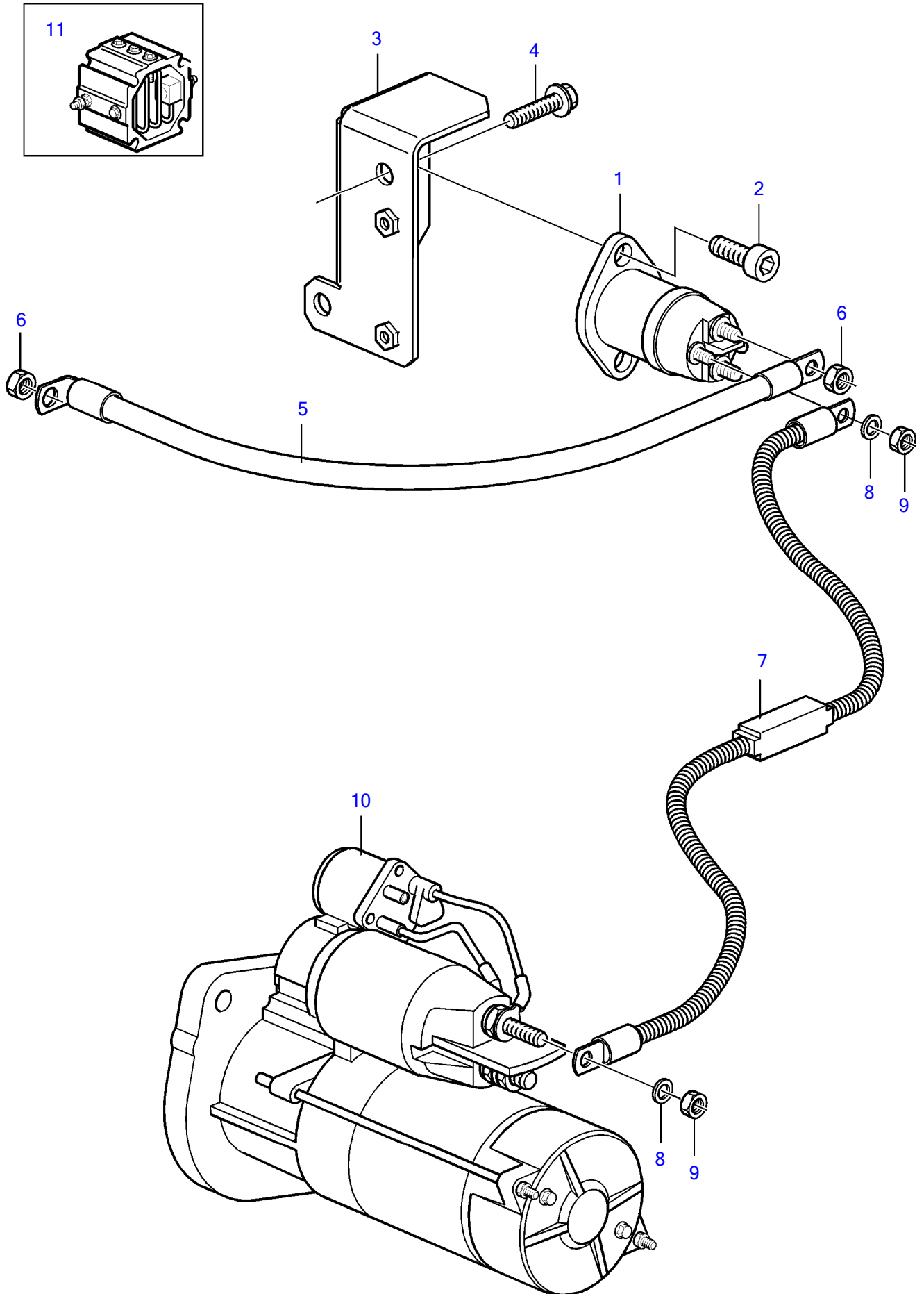
TAD752GE, TAD753GE, TAD754GE



TAD752GE, TAD753GE, TAD754GE

REF	PART NO.	QTY	DESCRIPTION
1	21311705	1	Relay
2	20834814	2	Hex. socket screw
3	22232497	1	Bracket
4	20405792	2	Flange screw
5	21034673	1	Cable
6	955781	2	Hexagon nut
7	22063498	1	Cable
8	20858926	2	Washer
9	983712	2	Hexagon nut
10	3801168	1	Starter motor, exch
11	20758403	1	Heater

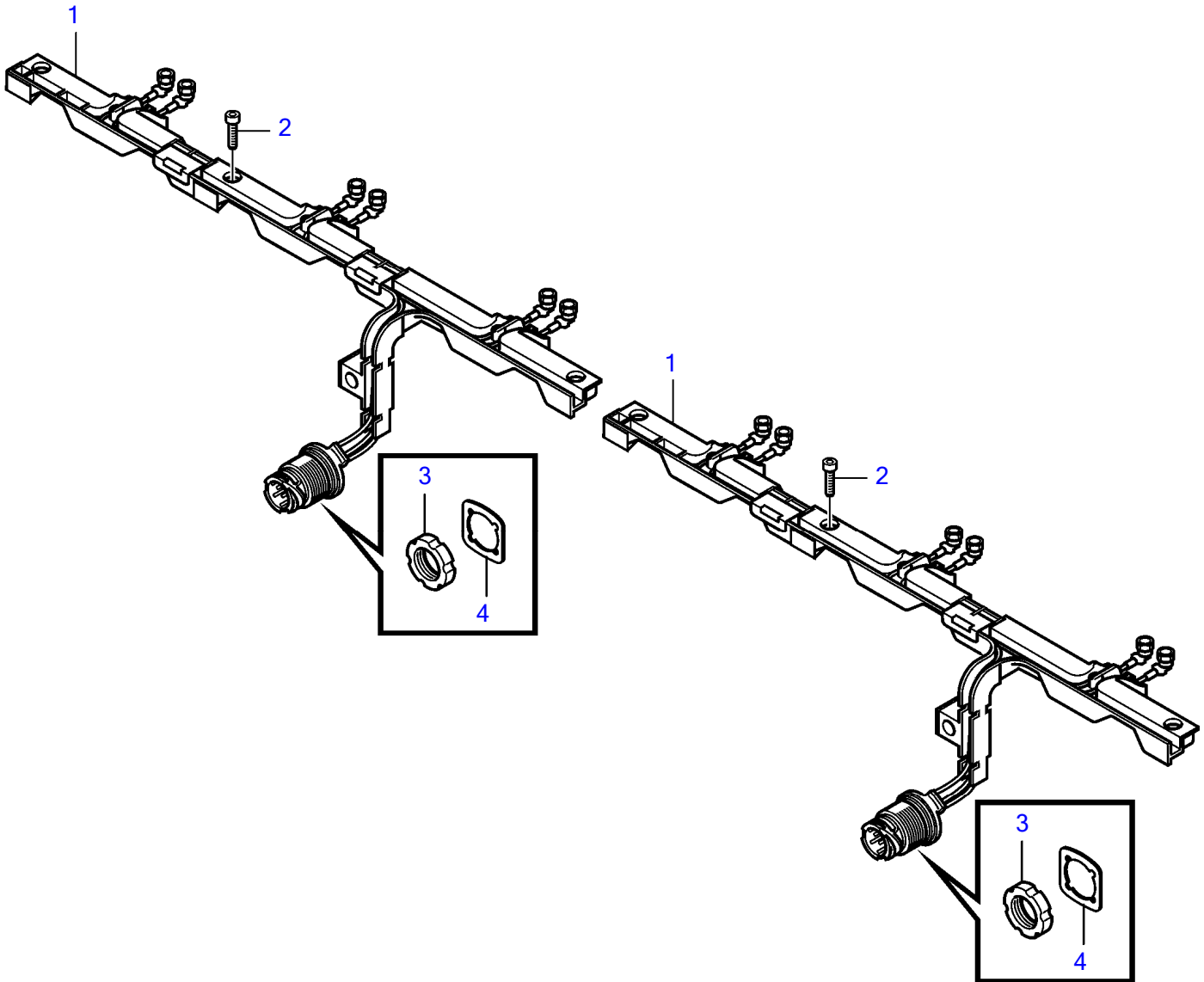
TAD734GE, TAD750GE, TAD751GE



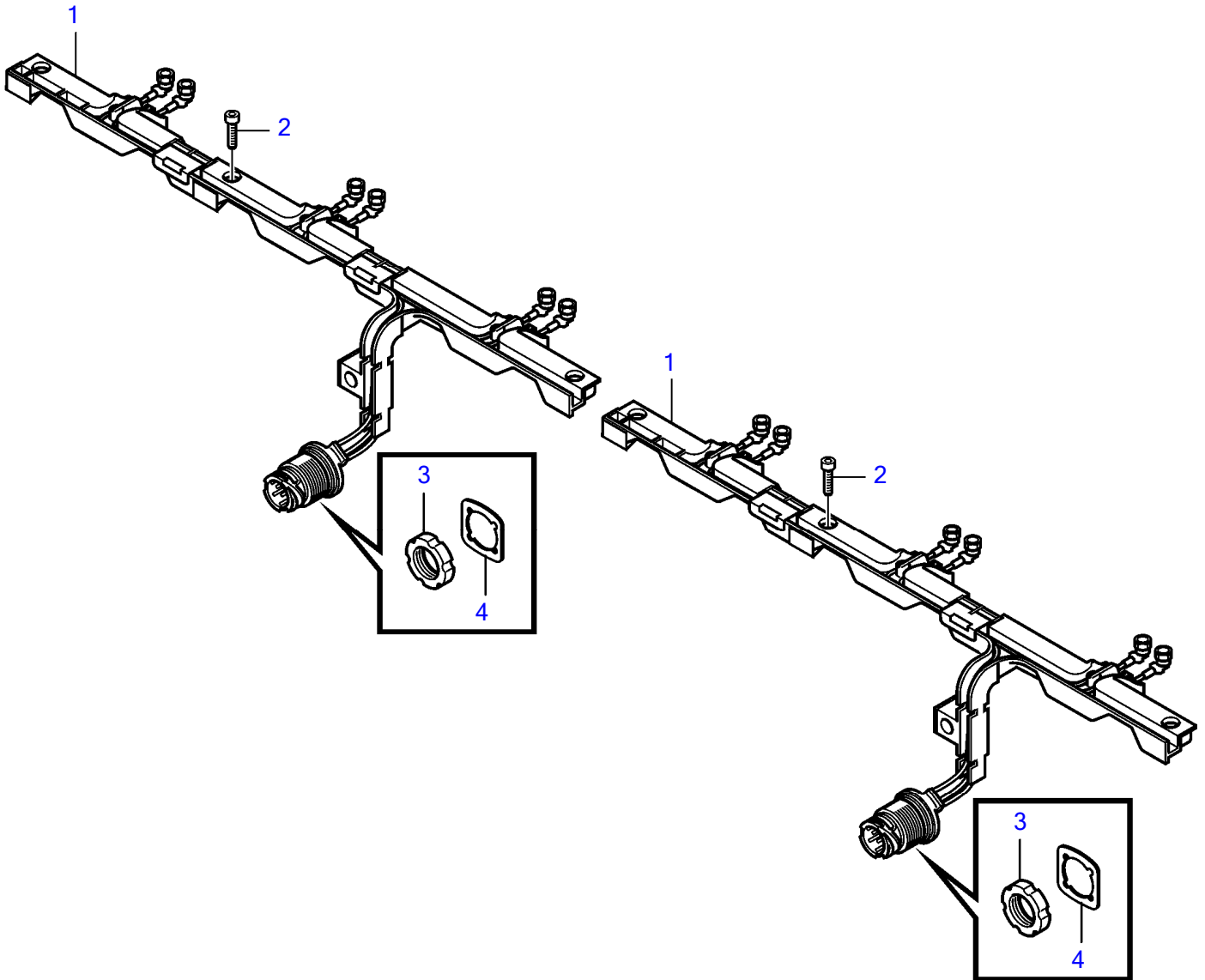
TAD734GE, TAD750GE, TAD751GE

REF	PART NO.	QTY	DESCRIPTION	NOTES
1	20797920	1	Relay	SN-11893844, Replaced by 22718894
	22718894	1	Relay	SN11893845-
2	20834814	2	Hex. socket screw	
3	21030166	1	Bracket	
4	20405792	2	Flange screw	
5	21034673	1	Cable	
6	955781	2	Hexagon nut	
7	21034648	1	Cable	Replaced by 21372576
	21372576	1	Cable	
8	20858926	2	Washer	
9	983712	2	Hexagon nut	
10	3801168	1	Starter motor, exch	
11	20758403	1	Heater	

TAD750GE, TAD751GE, TAD752GE, TAD753GE, TAD754GE

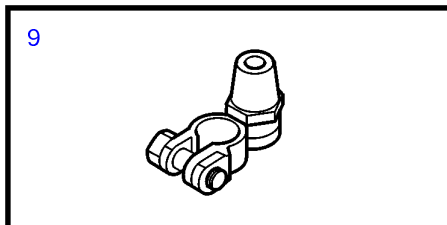
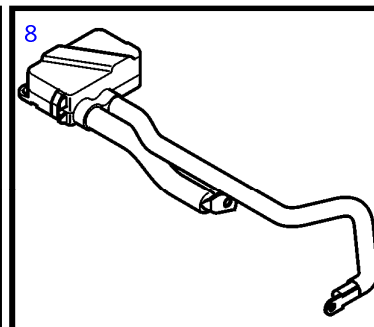
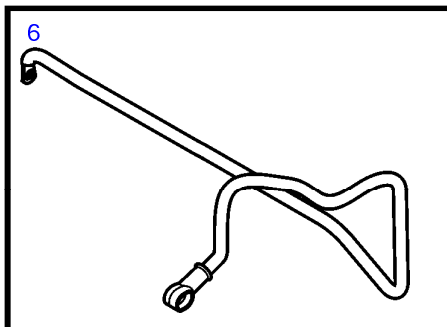
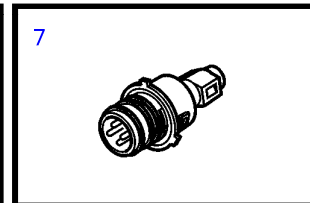
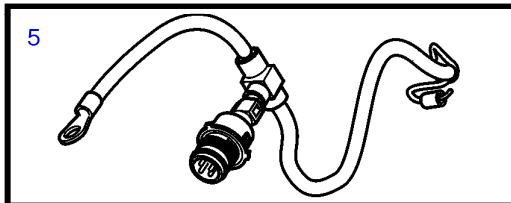
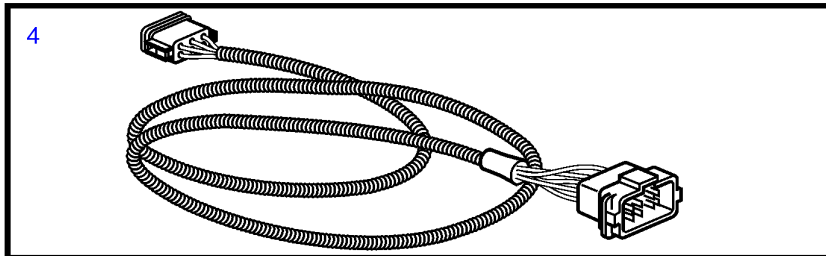
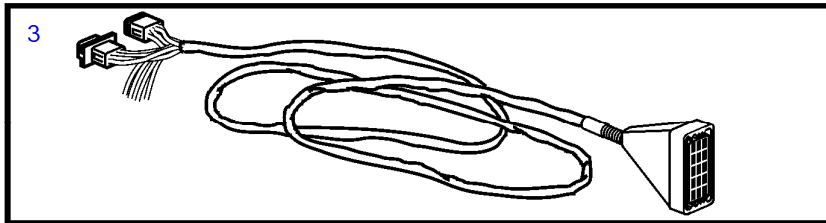
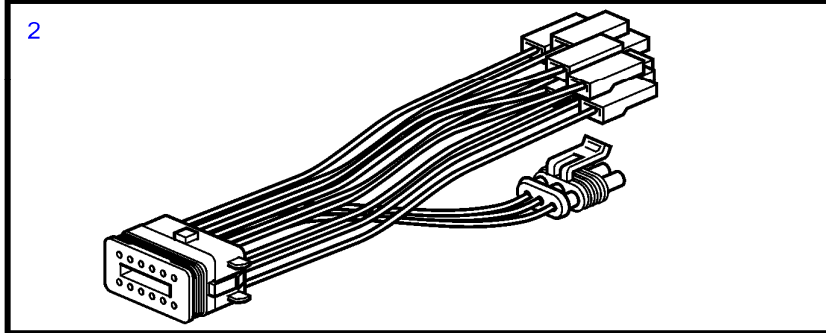
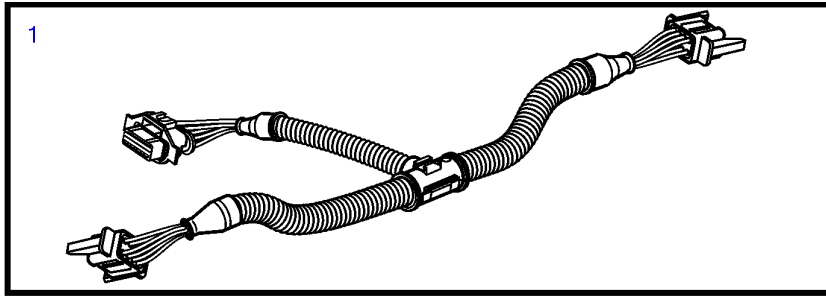


23685



23685

TAD750GE, TAD751GE, TAD752GE, TAD753GE, TAD754GE

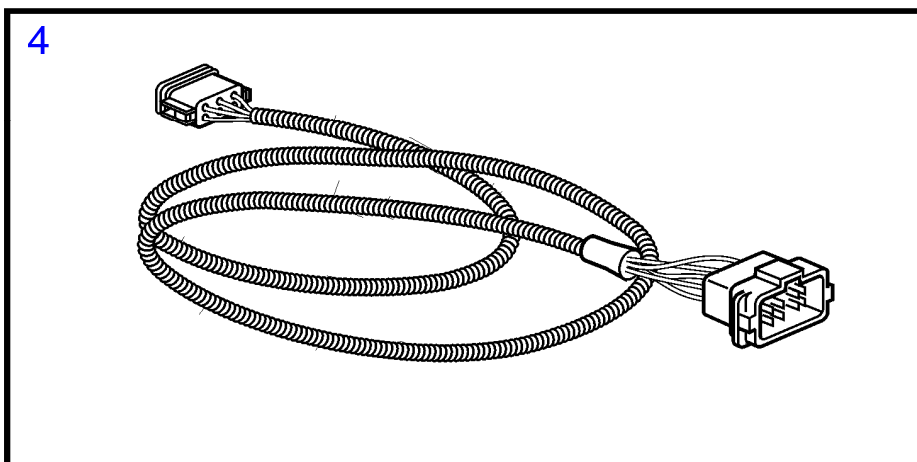
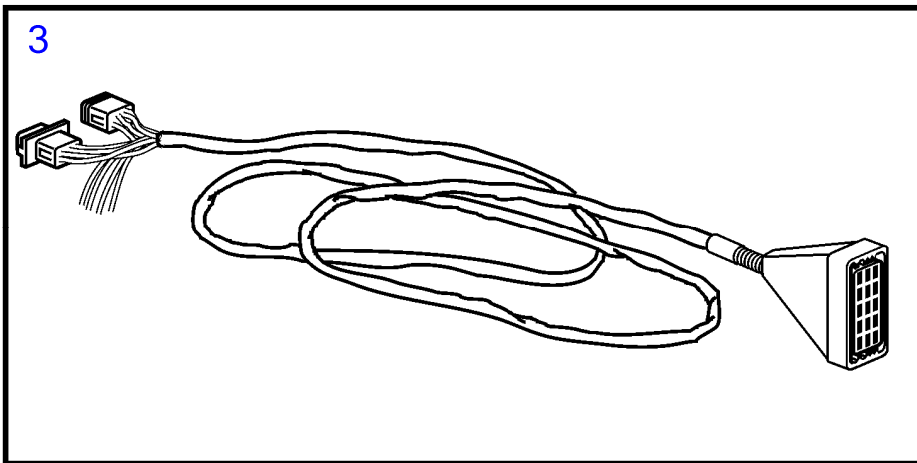
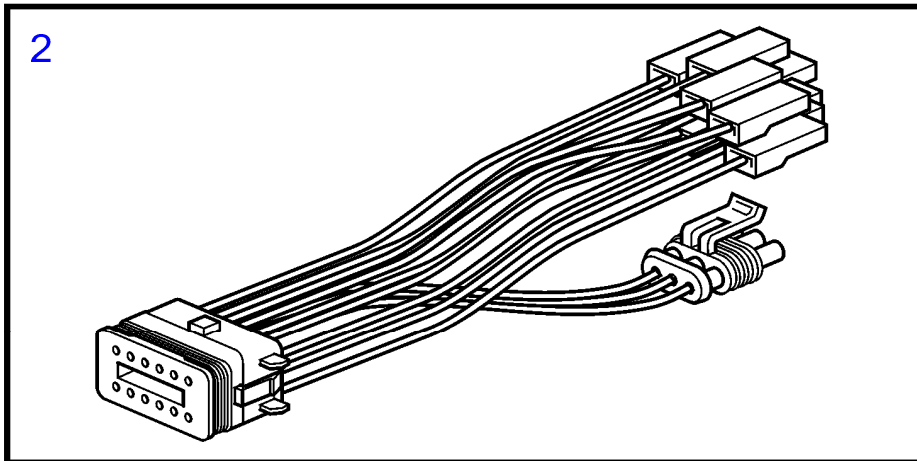
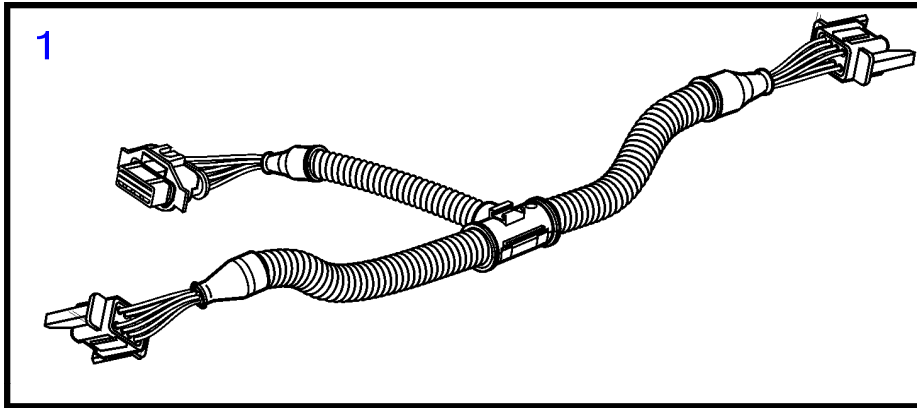


28370

TAD750GE, TAD751GE, TAD752GE, TAD753GE, TAD754GE

REF	PART NO.	QTY	DESCRIPTION	NOTES
1	3588710	1	Wiring harness	Cable for DCU
2	3807270	1	Wiring harness	Cable for external connection to DCU
3	3808418	1	Wiring harness	Cable for CIU/to ECU.
4	874414	1	Extension cable	L=3.0m
	874119	1	Extension cable	L=5.0m
	874386	1	Extension cable	L=7.0m
	874387	1	Extension cable	L=9.0m
	874388	1	Extension cable	L=11.0m
5	21739026	1	Wiring harness	
6	21738350	1	Cable	
7	21665619	1	Connector	
8	21669428	1	Wiring harness	SN-11042471
	22063498	1	Cable	SN11042472-
9	(21900468)	1	Adapter	Obsolete part, For engines with start/stop function

TAD734GE

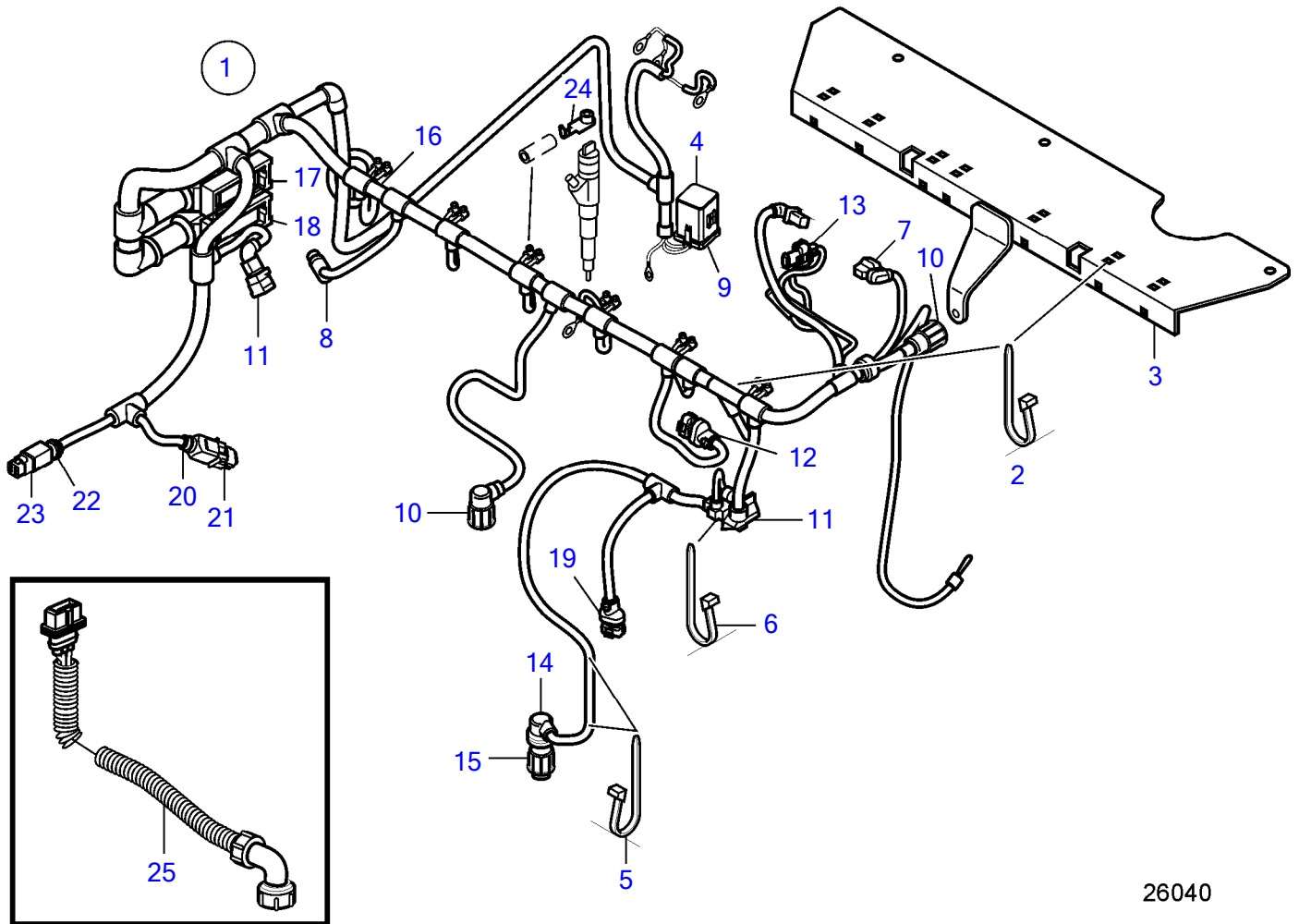


23737

TAD734GE

REF	PART NO.	QTY	DESCRIPTION	NOTES
1	3588710	1	Wiring harness	Cable for DCU
2	3807270	1	Wiring harness	Cable for external connection to DCU
3	3808418	1	Wiring harness	Cable for CIU/to ECU.
4	874414	1	Extension cable	Connection cable EDC, CIU., L=3.0m
	874119	1	Extension cable	Connection cable EDC, CIU., L=5.0m
	874386	1	Extension cable	Connection cable EDC, CIU., L=7.0m
	874387	1	Extension cable	Connection cable EDC, CIU., L=9.0m
	874388	1	Extension cable	Connection cable EDC, CIU., L=11.0m

TAD750GE, TAD751GE

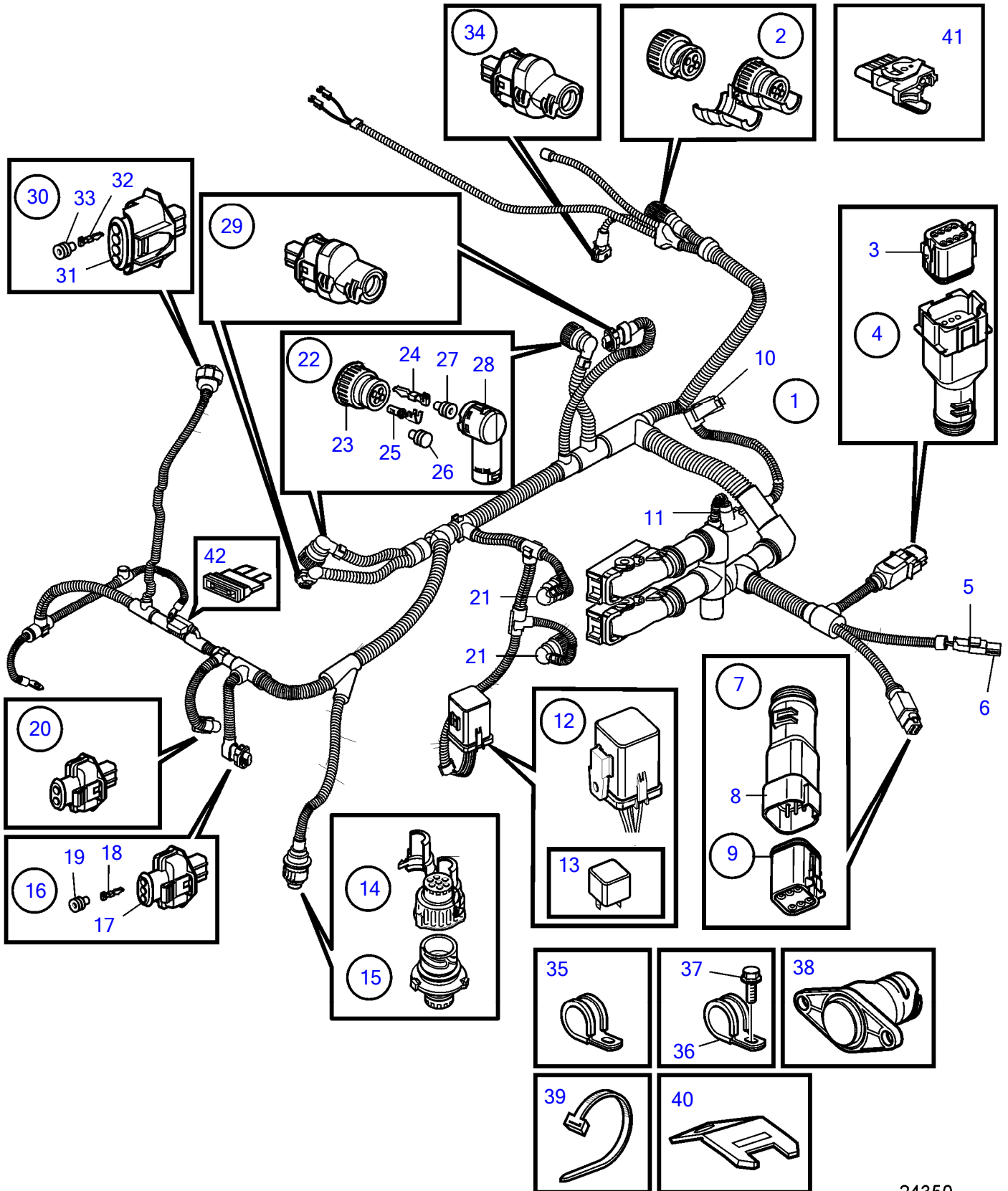


26040

TAD750GE, TAD751GE

REF	PART NO.	QTY	DESCRIPTION	NOTES
1	21665254	1	Wiring harness	SN-11191563, Replaced by 21888837
	21888837	1	Wiring harness	SN11191564-, Replaced by 22872366
	22872366	1	Wiring harness	
2	948211	7	Cable tie	
3	20864600	1	Bracket	
4	3171420	1	Relay	
5	20834570	15	Retainer	
6	20513984	6	Cable tie	
7	21157620	1	Connector	
8	21157293	1	Connector	
9	21157187	1	Connector	SN-11191563
	21888857	1	Connector	SN11191564-
10	21157623	2	Connector	
11		2	Connector	
12	21157627	1	Connector	
13		1	Connector	
14	21157233	1	Connector	
15	21157239	1	Connector	
16	21157625	1	Connector	
17		1	Connector	
18		1	Connector	
19		1	Connector	
20	21157209	1	Connector	
21	21157212	1	Connector	
22	21157200	1	Connector	
23	21157203	1	Connector	
24		12	Attaching lug	
25	21665011	1	Cable	SN-11167041
	21876549	1	Cable	SN11167042-

TAD734GE

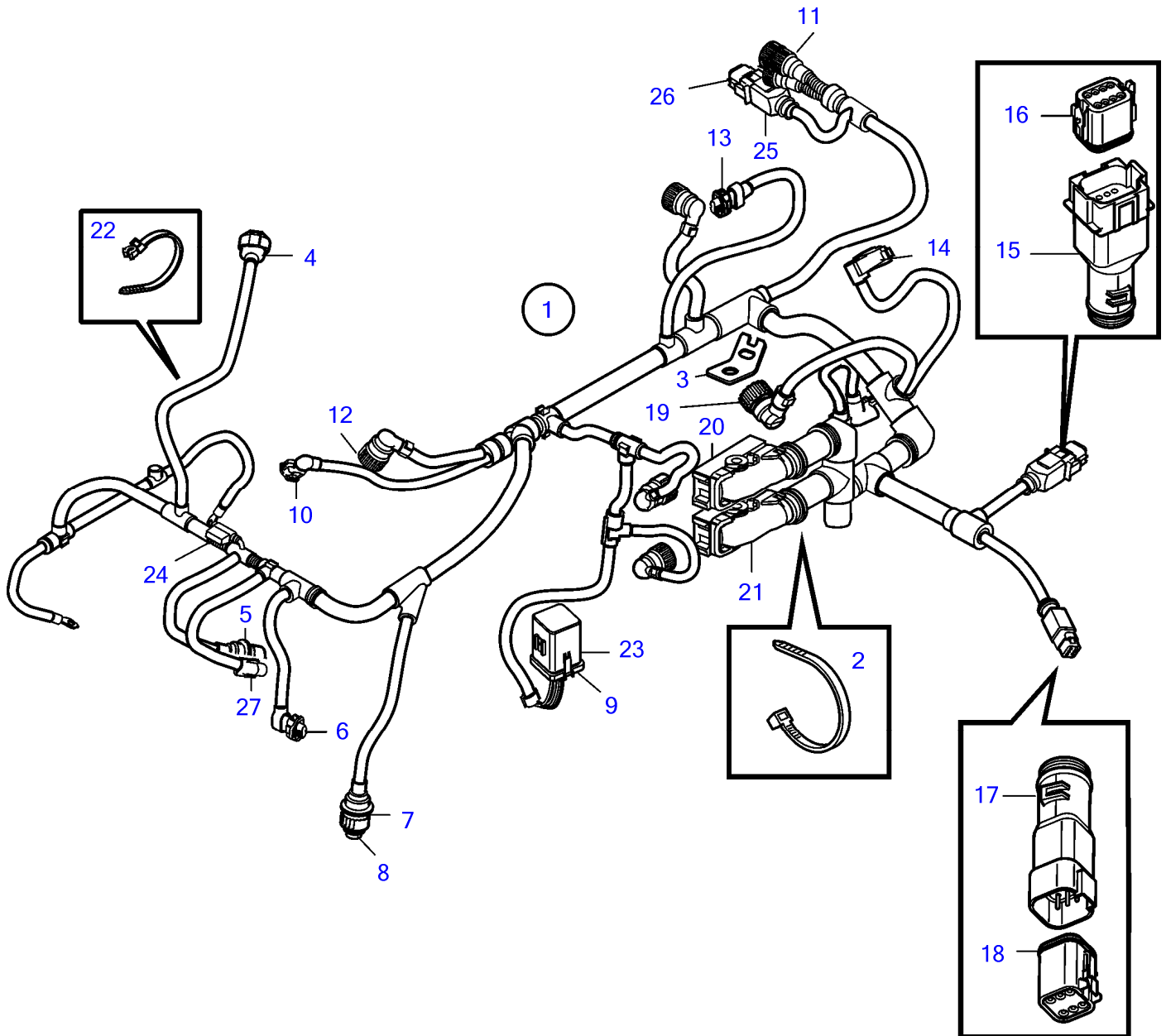


24350

TAD734GE

REF	PART NO.	QTY	DESCRIPTION	NOTES
1	21474580	1	Wiring harness	Replaced by 22872250
	22872250	1	Wiring harness	
2	21157215	1	Connector, water level	
3	21157212	1	Connector	
4	21157209	1	Connector	
5	21157630	1	Connector	
6	21157631	1	Connector	
7	21157200	1	Connector	
8	20593342	1	• Connector	
9	21157203	1	Connector	
10	(21157629)	1	Connector	Obsolete part
11	21157633	1	Connector	
12	21157187	1	Connector, relay	
13	3171420	1	Relay	
14	21157233	1	Connector, water in fuel	
15	21157239	1	Connector, water in fuel	
16	21157295	1	Connector, rpm cam gear	
17	20791610	1	• Bearing housing	
18	20792273	3	• Cable terminal	
19	20405783	3	• Gasket	
20	21157293	1	Connector, rpm flywheel	
21	21157623	2	Connector, fuel/oil pressure	
22	21157626	1	Housing, fuel injector	
23	20550005	1	• Receptacle housing	
24		4	• Sleeve connector	
25	20550011	4	• Jack	
26	20459897	2	• Gasket	
27	20405783	2	• Gasket	
28	20550017	1	• Cap	
29	21157627	1	Connector, fuel pressure	
30	21157620	1	Connector, charge air pressure/temp	
31	20791465	1	• Housing	
32	20792273	4	• Cable terminal	
33	20405783	4	• Gasket	
34	21157625	1	Connector, coolant water temp.	
35	20860405	1	Clamp	
36	20459181	1	Clamp	
37		1	Screw	
38	20529281	1	Button	
39	20513984	16	Cable tie	
40	20450997	2	Bracket	
41	21034749	1	Connector, alternator	
42	20378934	1	Fuse	

TAD752GE, TAD753GE, TAD754GE

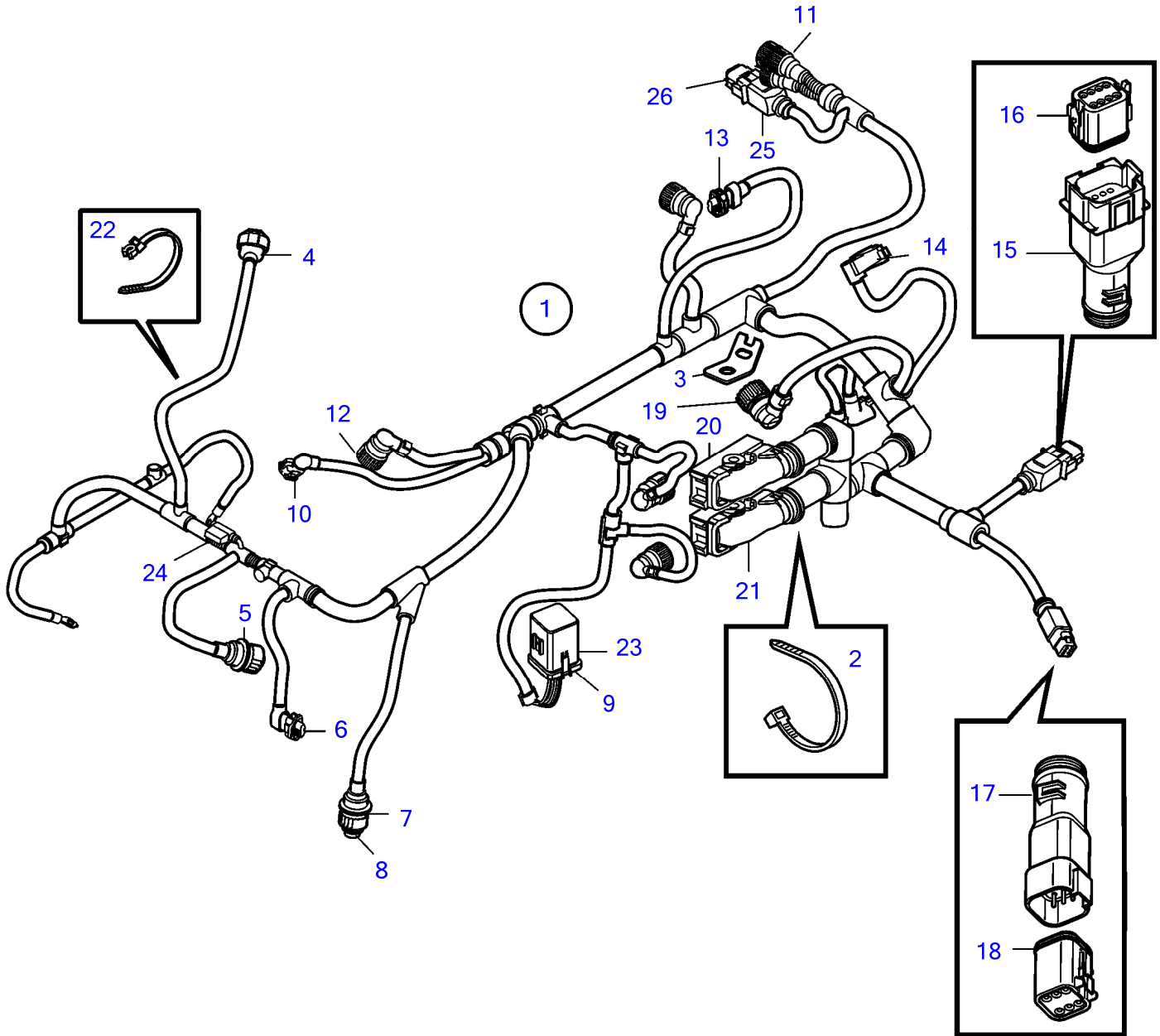


27537

TAD752GE, TAD753GE, TAD754GE

REF	PART NO.	QTY	DESCRIPTION	NOTES
1	21664437	1	Wiring harness	
2	20513984	5	• Cable tie	
3	20450997	1	• Bracket	
4	21157620	1	• Connector	
5	21157293	1	• Connector	
6	21157295	1	• Connector	
7	21157239	1	• Connector	
8	21157233	1	• Connector	
9	21157187	1	• Connector	
10	21157625	2	• Connector	
11	21157215	2	• Connector	
12	21157626	2	• Housing	
13	21157627	1	• Connector	
14	(21157629)	1	• Connector	Obsolete part
15	21157209	1	• Connector	
16	21157212	1	• Connector	
17	21157200	1	• Connector	
18	21157203	1	• Connector	
19	21157633	1	• Connector	
20		1	• Connector	
21		1	• Connector	
22	20834570	21	• Retainer	
23	3171420	1	• Relay	
24	21664457	1	• Connector	
25		1	• Connector	
26	(21664466)	1	• Connector	Obsolete part
27	21664467	1	Connector	

TAD752GE, TAD753GE, TAD754GE

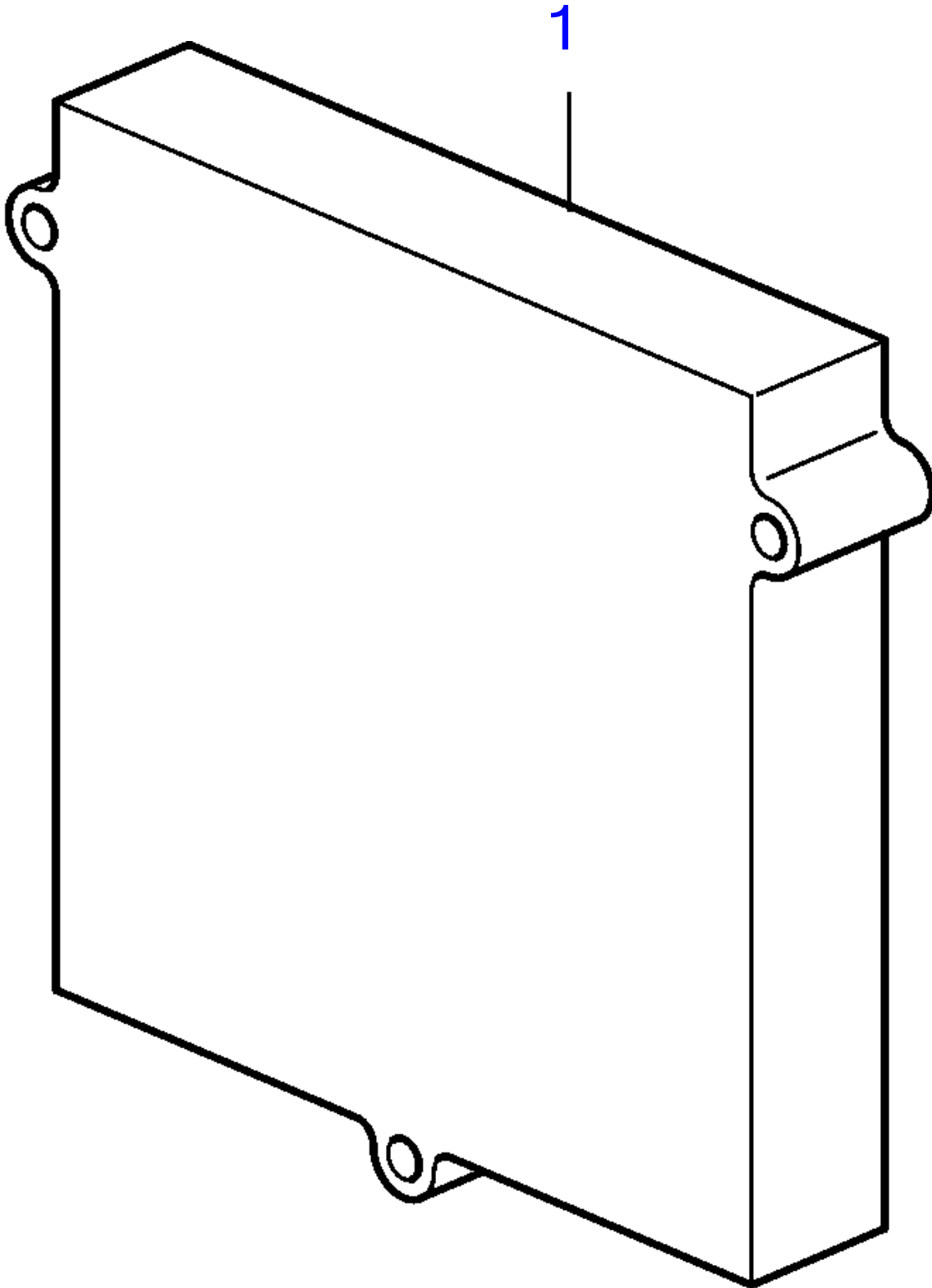


27569

TAD752GE, TAD753GE, TAD754GE

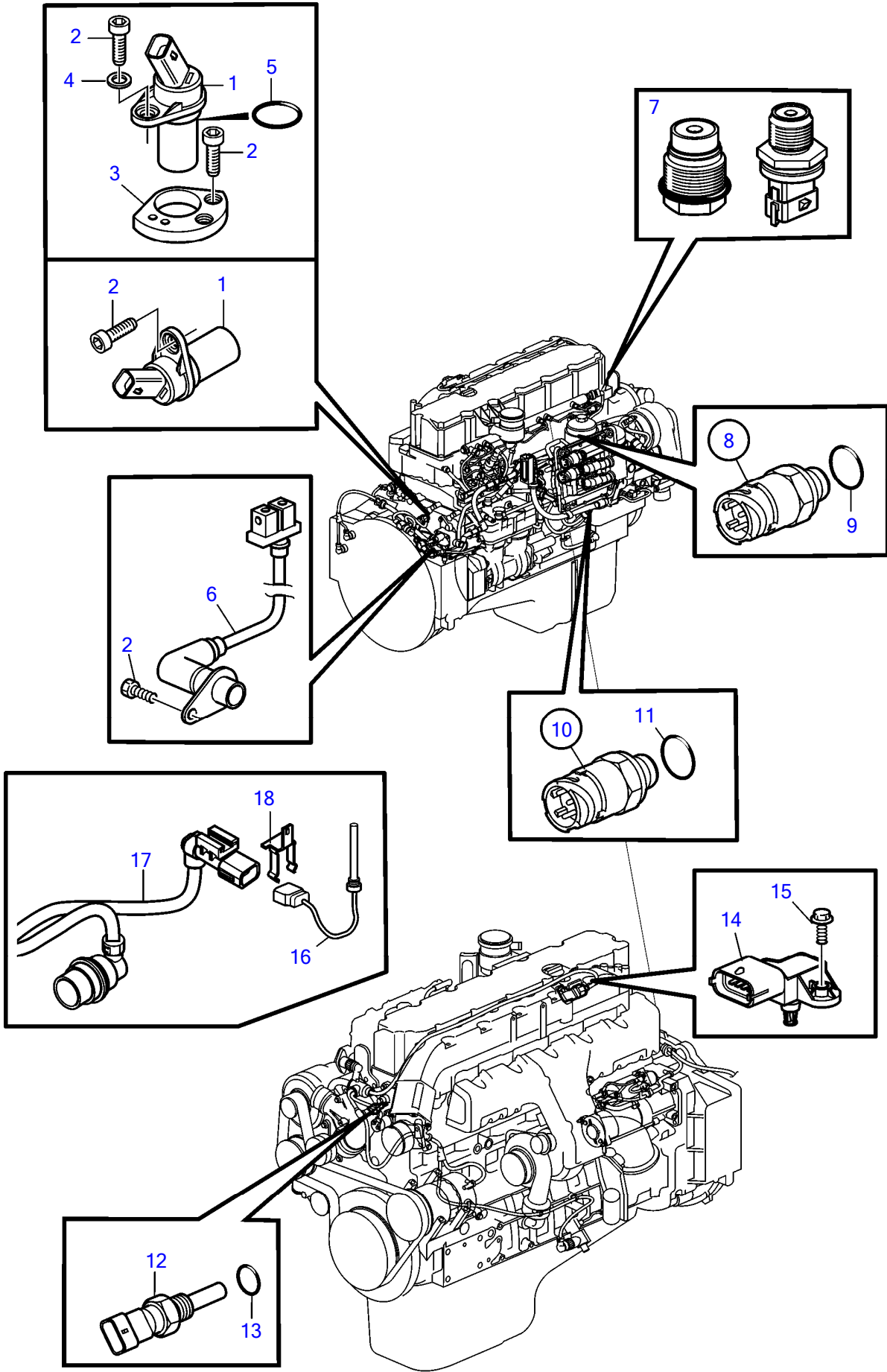
REF	PART NO.	QTY	DESCRIPTION	NOTES
1	21921554	1	Wiring harness	Replaced by 22872261
	22872261	1	Wiring harness	
2	20513984	3	• Cable tie	
3		3	• Cable tie	
4	20450997	1	• Bracket	
5	21157620	1	• Connector	
6	21157293	1	• Connector	
7	21157295	1	• Connector	
8	21157239	1	• Connector	
9	21157233	1	• Connector	
10	21157187	1	• Connector	
11	21157625	2	• Connector	
12	21157215	2	• Connector	
13	21157626	2	• Housing	
14	21157627	1	• Connector	
15	(21157629)	1	• Connector	Obsolete part
16	21157209	1	• Connector	
17	21157212	1	• Connector	
18	21157200	1	• Connector	
19	21157203	1	• Connector	
20		1	• Connector	
21		1	• Connector	
22	3171420	1	• Relay	
23	20834570	16	• Retainer	
24	21664457	1	• Connector	
25		1	• Connector	
26	(21664466)	1	• Connector	Obsolete part

TAD734GE, TAD750GE, TAD751GE, TAD752GE, TAD753GE, TAD754GE



22887

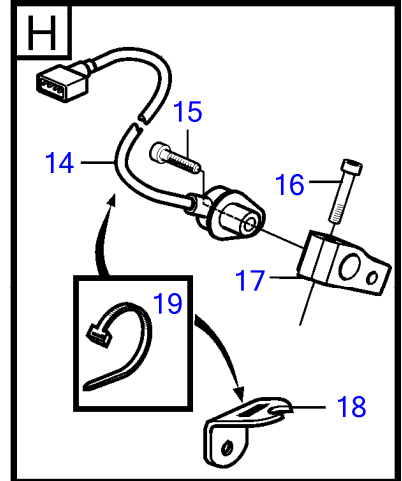
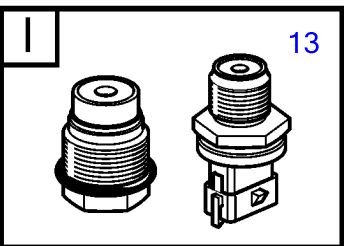
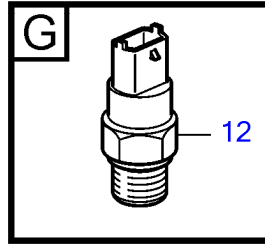
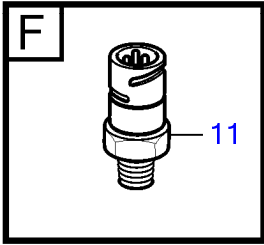
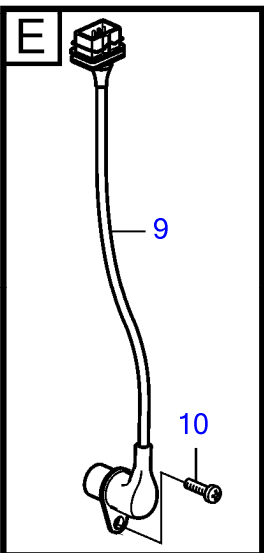
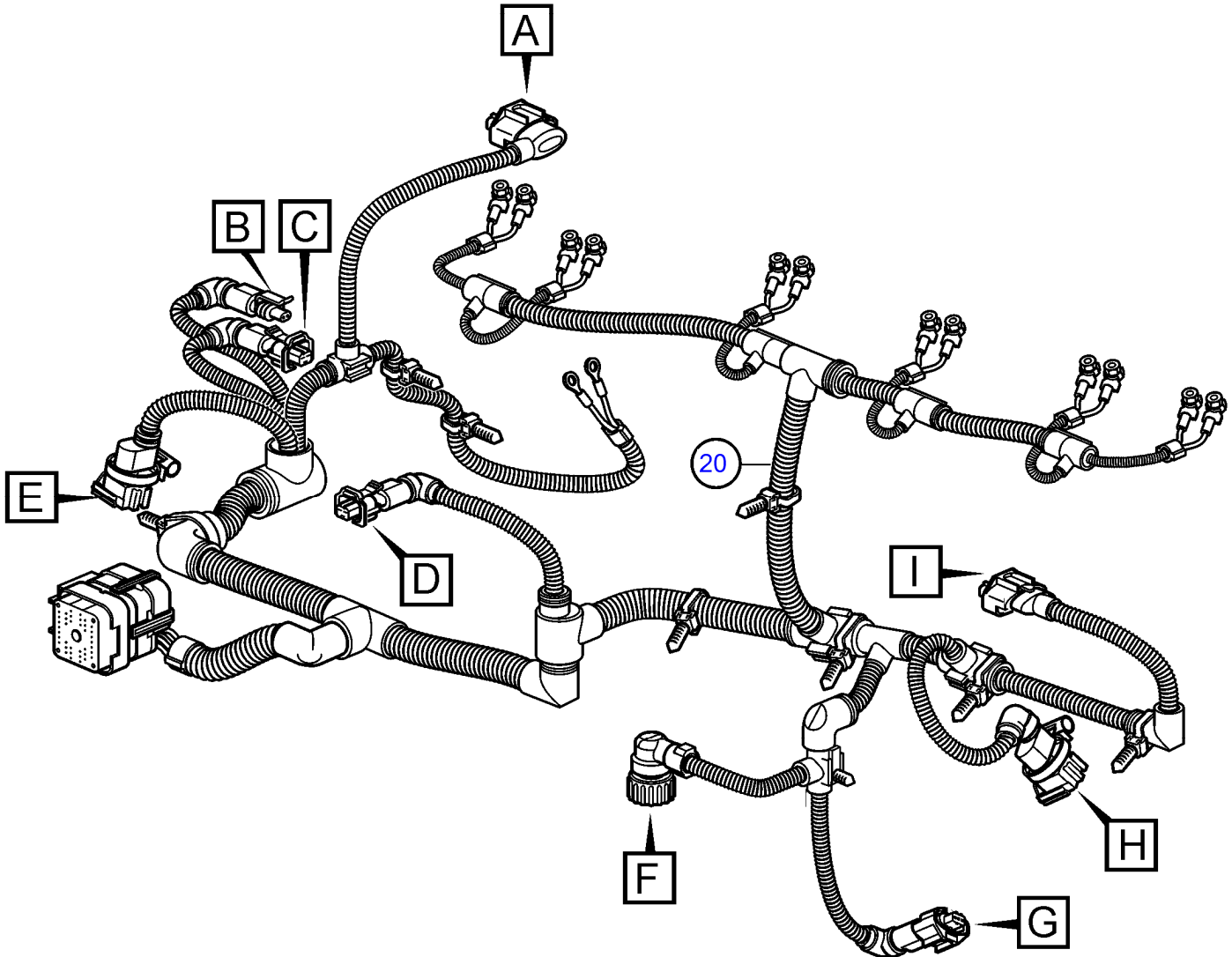
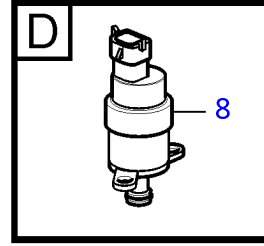
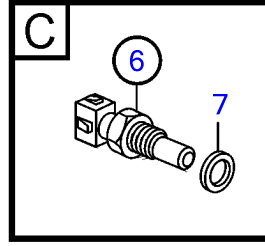
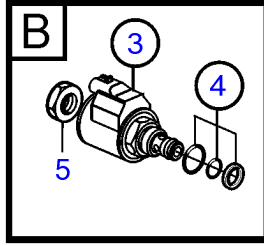
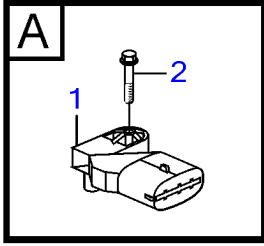
TAD734GE, TAD752GE, TAD753GE, TAD754GE



TAD734GE, TAD752GE, TAD753GE, TAD754GE

REF	PART NO.	QTY	DESCRIPTION	NOTES
1	20513343	1	Sensor, flywheel	
2	20450694	2	Hex. socket screw	
3	20859356	1	Adapter	
4	973494	1	Washer	
5	21664642	1	O-ring	
6	20861966	1	Speed sensor, camshaft	
7	20973777	1	Service kit, common rail	Delivery valve and pressure sensor
8	21302639	1	Pressure sensor, fuel pressure	
9	968559	1	• O-ring	
10	20898038	1	Pressure sensor	
11	968559	1	O-ring	
12	20513340	1	Sensor, coolant water	
13	993605	1	• Gasket	
14	21455694	1	Pressure sensor, charge air pressure/temp	4-pole
15	967949	1	Flange screw	
16	21661774	1	Level sensor, coolant	
17	21662518	1	Cable	
18	22000980	1	Retainer	

TAD750GE, TAD751GE

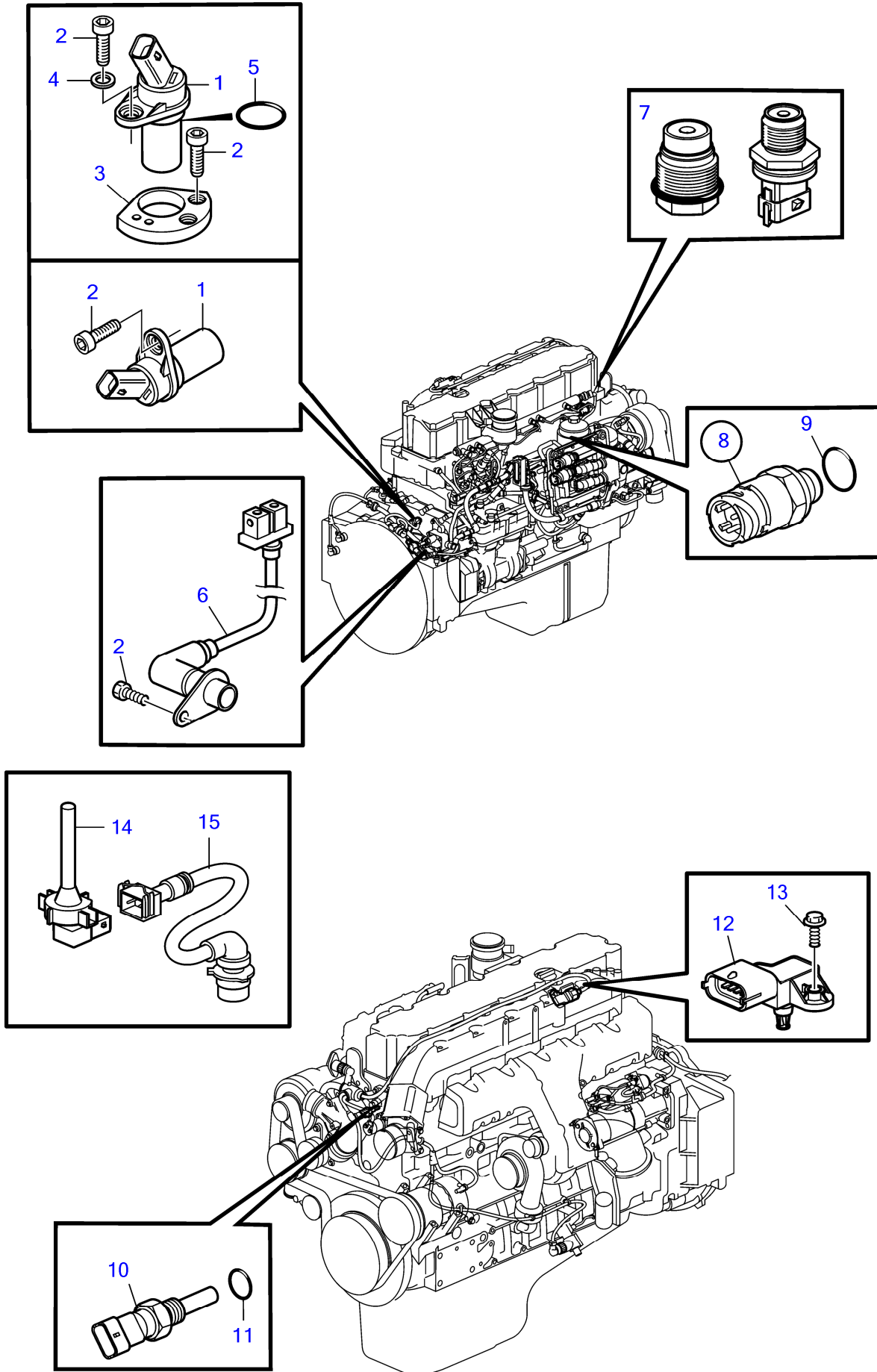


25540

TAD750GE, TAD751GE

REF	PART NO.	QTY	DESCRIPTION	SEE SEC.	NOTES
1	21385453	1	Pressure sensor, charge air pressure/temp		4-pole
2	20450728	1	Flange screw		
3	20795296	1	Solenoid valve		
4	20873253	1	• Gasket kit		
5	20845198	1	• Hexagon nut		
6	20513340	1	Sensor, fuel	54161515	
7	969011	1	• Gasket		
8	21638691	1	Fuel regulator, mprop		
9	20820494	1	Sensor, camshaft		
10	20450694	1	Hex. socket screw		
11	21302639	1	Pressure sensor		
12	21291011	1	Pressure sensor		
13	20973777	1	Service kit	54161525	
14	20450707	1	Sensor, crankshaft		
15	20450694	1	Hex. socket screw		
16	20763699	2	Hex. socket screw		
17	20700252	1	Vibration damper		
18	20450997	2	Bracket		
19	20513984	2	Cable tie		
20		1	Cable trunk	54161528	

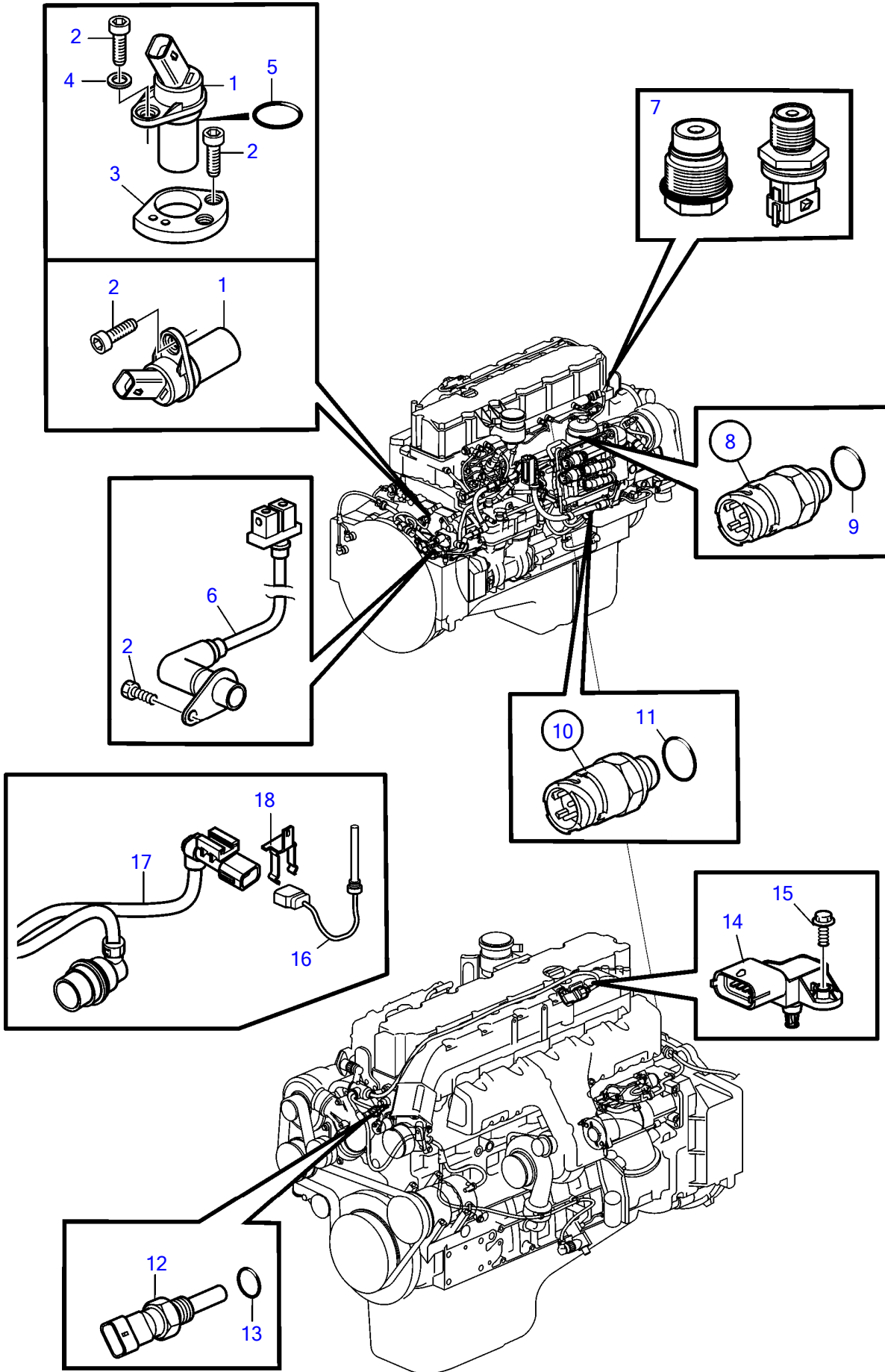
TAD734GE



TAD734GE

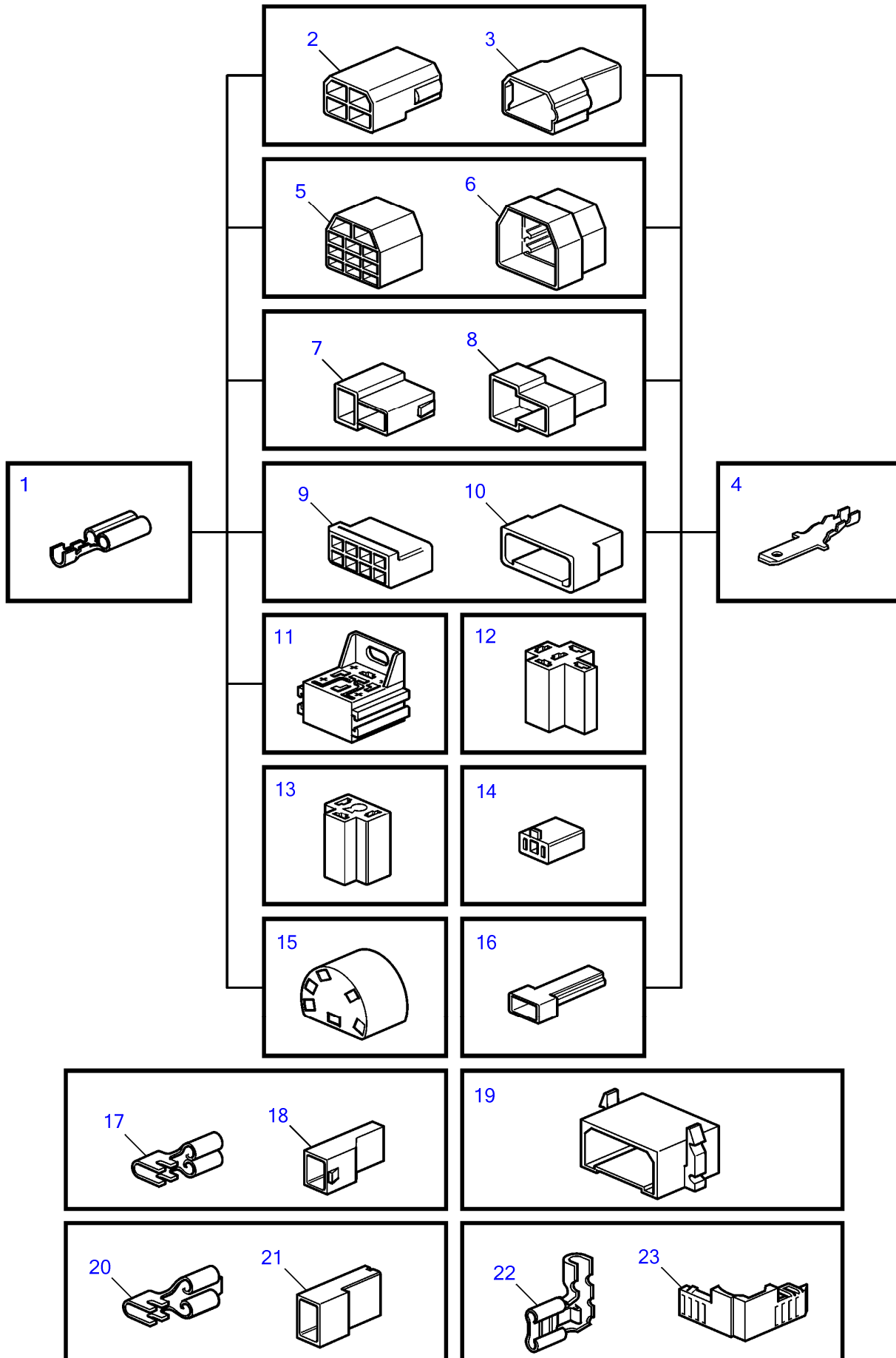
REF	PART NO.	QTY	DESCRIPTION	NOTES
1	20513343	1	Sensor, flywheel	
2	20450694	2	Hex. socket screw	
3	20859356	1	Adapter	
4	973494	1	Washer	
5	21664642	1	O-ring	
6	20861966	1	Speed sensor, camshaft	
7	20973777	1	Service kit, common rail	Delivery valve and pressure sensor
8	21302639	1	Pressure sensor, fuel pressure	
9	968559	1	• O-ring	
10	20513340	1	Sensor, coolant water	
11	993605	1	• Gasket	
12	21455694	1	Pressure sensor, charge air pressure/temp	4-pole
13	967949	1	Flange screw	
14	20585484	1	Level sensor, coolant	
15	21094179	1	Extension cable	

TAD734GE

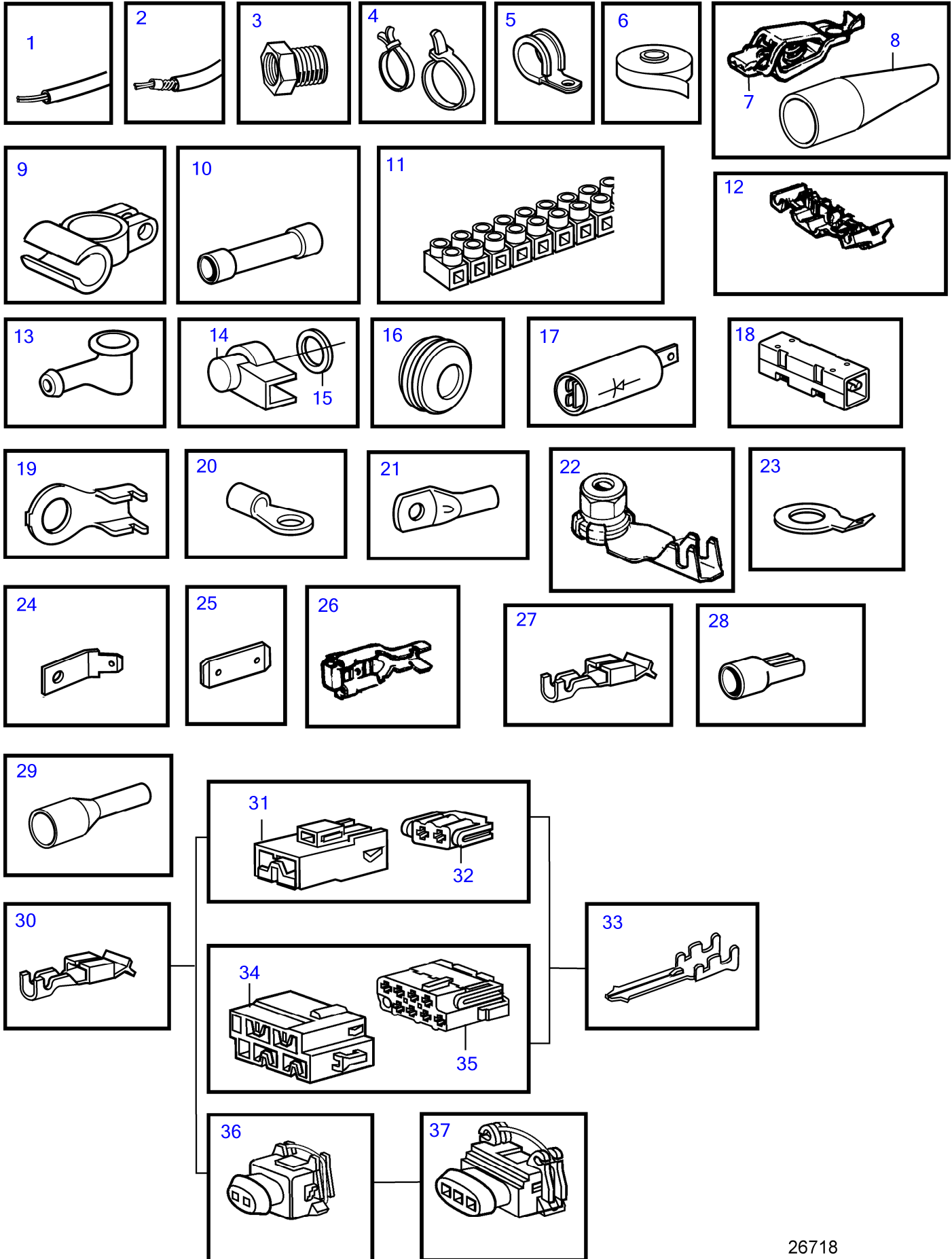


TAD734GE

REF	PART NO.	QTY	DESCRIPTION	NOTES
1	20513343	1	Sensor, flywheel	
2	20450694	2	Hex. socket screw	
3	20859356	1	Adapter	
4	20459074	1	Washer	
5	21664642	1	O-ring	
6	20861966	1	Speed sensor, camshaft	
7	20973777	1	Service kit, common rail	Delivery valve and pressure sensor (20886108)
8	20898038	1	Pressure sensor, fuel pressure	(20886108)
9	968559	1	• O-ring	
10	20898038	1	Pressure sensor, oil-pressure	(20886108)
11	968559	1	• O-ring	
12	20513340	1	Sensor, coolant water	
13	969011	1	• Gasket	
14	20459882	1	Sensor	3-pole, SN-00938971
	20524936	1	Pressure sensor, charge air pressure/temp	4-pole, SN00938972-
15	955271	1	Hexagon screw	
16	21661774	1	Level sensor, coolant	
17	21662494	1	Cable	
18	22000980	1	Retainer	



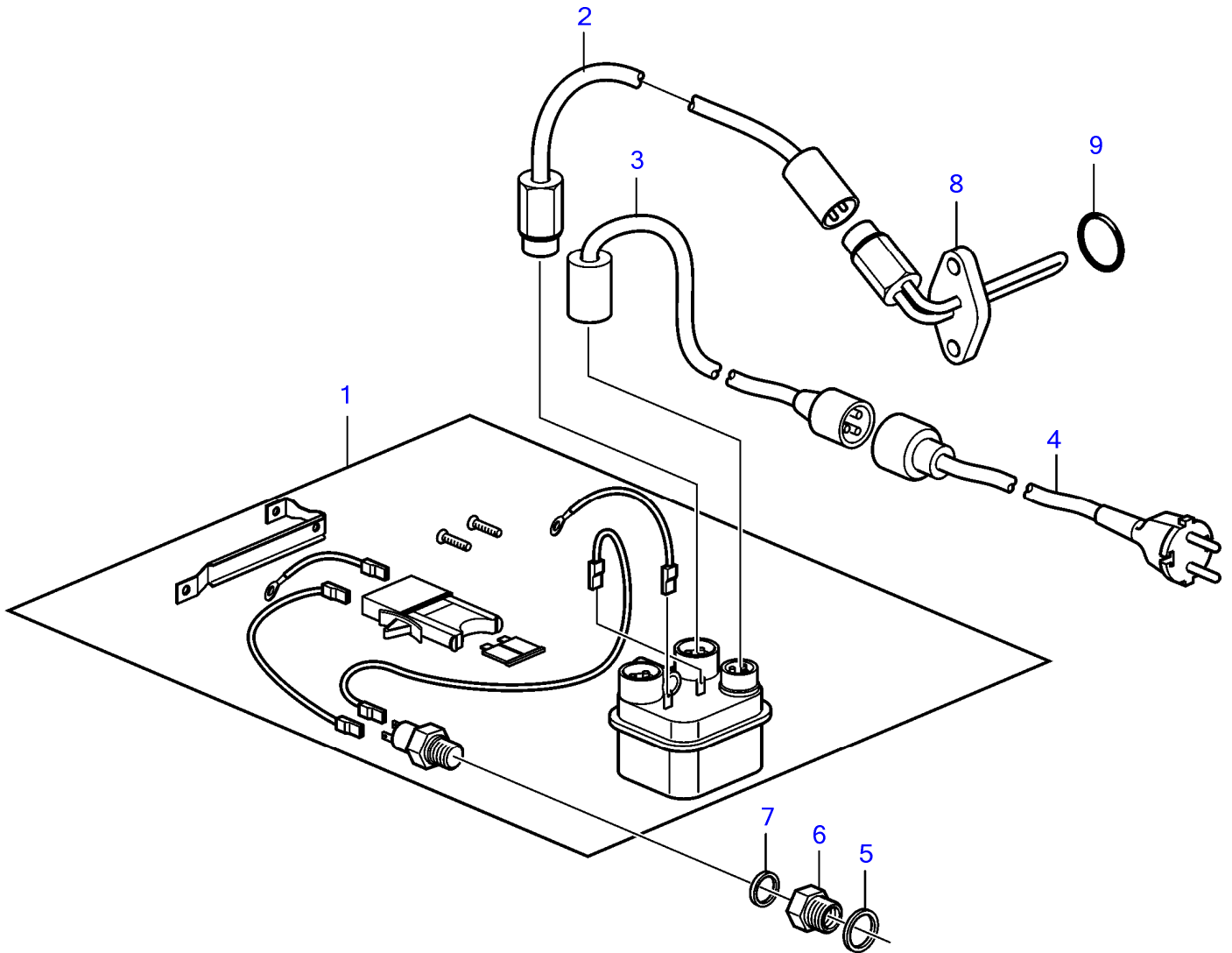
REF	PART NO.	QTY	DESCRIPTION	NOTES
1	973150	1	Terminal	6,3x0,8x1,1-2,5mm ²
	949206	1	Cable terminal	6,3x0,8x4,0-6,0mm ²
2	948856	1	Housing	6,3x4 natural
3	948855	1	Housing	6,3x4 natural
4	973117	1	Terminal	6,3x0,8x0,5-1,0mm ²
	881487	1	Terminal	6,3x0,8x0,75-2,5mm ²
	881488	1	Terminal	6,3x0,8x4,0-6,0mm ²
5	945830	1	Socket housing	6,3x11 natural
6	945831	1	Tab housing	6,3x11 natural
7	958210	1	Housing	6,3x2 black
8	958209	1	Housing	6,3x2 black
9	944076	1	Housing	6,3x8 natural
10	948857	1	Housing	6,3x8 natural
11	977184	1	Housing	6,3x5x4,8/2,8x4
12	1214948	1	Housing	6,3x5 black
13	945469	1	Housing	6,3x3 black
14	1578937	1	Housing	6,3x2 natural
15	828624	1	Receptacle housing	6,3x6
16		1	Housing	6,3x1 black
17	949405	1	Terminal	4,8x1,1-2,5mm ²
18	947848	1	Housing	4,8x1 natural
19	944077	1	Housing	6,3x8 natural
20	881483	1	Terminal	6,3x0,8x1,1-2,5mm ²
	881484	1	Terminal	6,3x0,8x4,0-6,0mm ²
21	949597	1	Housing	6,3x1 natural
	943511	1	Housing	6,3x1 natural
22	881489	1	Terminal	6,3x0,8x1,1-2,5
23	944221	1	Housing	6,3x1 natural



26718

REF	PART NO.	QTY	DESCRIPTION	NOTES
1	970624	1	Electric cable	1,5mm ² , black
	970626	1	Electric cable	1,5mm ² , red
	970661	1	Electric cable	1,5mm ² , red
	(970663)	1	Electric cable	Obsolete part, 2,5mm ² , black
	970698	1	Electric cable	2,5mm ² , red
	970700	1	Electric cable	4,0mm ² , black
	(970709)	1	Electric cable	Obsolete part, 6,0mm ² , black
	970711	1	Electric cable	6,0mm ² , red
	954485	1	Electric cable	16,0mm ² , red
	(954500)	1	Electric cable	Obsolete part, 25,0mm ² , red
	954502	1	Electric cable	35,0mm ² , red
2	874854	1	Power cable	Non reinforced ship cable approved by classification societies., 2x1,5mm ²
	(863657)	1	Cable	Obsolete part, Reinforced ship cable approved by classification societies., 4,0mm ² , red
	874855	1	Power cable	Non reinforced ship cable approved by classification societies., 2x2,5mm ²
	(842092)	1	Cable	Obsolete part, Non reinforced ship cable approved by classification societies., 3x1,5mm ²
	(874858)	1	Power cable	Obsolete part, Non reinforced ship cable approved by classification societies., 6,0mm ² , black
	(842090)	1	Cable	Obsolete part, Non reinforced ship cable approved by classification societies., 16,0mm ² , red
	(874861)	1	Power cable	Obsolete part, Non reinforced ship cable approved by classification societies., 25,0mm ² , red
	(874862)	1	Power cable	Obsolete part, Non reinforced ship cable approved by classification societies., 35,0mm ² , red
	846639	1	Electric cable	Non reinforced ship cable approved by classification societies., RKKB 16 x1,5mm ²
	874870	1	Power cable	Non reinforced ship cable approved by classification societies., 2x1,5mm ²
	846346	1	Cable	Replaced by wiring harness 872679 and adapter 872939
	(874346)	1	Electric cable	Obsolete part, Reinforced ship cable approved by classification societies., RFOU 0,6/1kv
	872679	1	Wiring harness	(846346)
3	872939	1	Adapter	(846346)
4	948211	1	Cable tie	3x1,5mm ²
	949666	1	Cable tie	3x4,0mm ²
	948616	1	Cable tie	3x6,0mm ²
	980464	1	Cable tie	Obsolete part
	862832	1	Cable tie	4x1,5mm ²
	980881	1	Cable tie	
5	947827	1	Clamp	25,4mm
6	858283	1	Tape	4x2,5mm ²
7	844280	1	Clip	16x1,5mm ²
8	(844278)	1	Isolation	Obsolete part, Red
	(844279)	1	Isolation	Obsolete part, Black
9	954505	1	Terminal	D=77mm L=280mm
	954506	1	Terminal	D=42mm L=170mm
10	(956956)	1	Splice	D=102mm L=362mm
	956958	1	Splice	1,5-2,5mm ² , blue
	956960	1	Splice	L=61mm
11	(926219)	1	Coupling piece	Obsolete part, Black
12	944306	1	Connector	Blue
13	829200	1	Protective cap	0,5-1,0mm ² , red
14	(1234326)	1	Protecting casing	Obsolete part, 1,5-2,5mm ² , blue
15	960140	1	Washer	3-6mm ² , yellow
16	941269	1	Plug	Max 20mm ² , 12-pole
	821053	1	Protecting bushing	I.D=35mm
	943920	1	Plug	I.D=40mm
17	20382270	1	Diode	
18	20382270	1	Diode	
19	970788	1	Terminal	M5x1,1-2,5mm ²
	970789	1	Terminal	M6x1,1-2,5mm ²
	(970791)	1	Terminal	Obsolete part, M10x1,1-2,5mm ²
20	881492	1	Terminal	M4x1,1-2,5mm ²
	881493	1	Terminal	M5x1,1-2,5mm ²
	881508	1	Terminal	M6x1,1-2,5mm ²
	881494	1	Terminal	M8x1,1-2,5mm ²
	881504	1	Terminal	M10x1,1-2,5mm ²
	881506	1	Terminal	M4x2,6-6,0mm ²
	881495	1	Terminal	M5x2,6-6,0mm ²

REF	PART NO.	QTY	DESCRIPTION	NOTES
	881496	1	Terminal	M6x2,6-6,0mm ²
	(881497)	1	Terminal	Obsolete part, M8x2,6-6,0mm ²
	881498	1	Terminal	M10x2,6-6,0mm ²
	940331	1	Terminal	M5x6,1-10,0mm ²
	(940332)	1	Terminal	Obsolete part, M6x6,1-10,0mm ²
	940333	1	Terminal	M8x6,1-10,0mm ²
	(940334)	1	Terminal	Obsolete part, M10x6,1-10,0mm ²
	881512	1	Terminal	M5x10,1-16,0mm ²
	940335	1	Terminal	M6x10,1-16,0mm ²
	940336	1	Terminal	M8x10,1-16,0mm ²
	940337	1	Terminal	M10x10,1-16,0mm ²
21	949587	1	Cable terminal	M10x10mm ²
22	8140576	1	Nut	M4
23	865758	1	Cable terminal	I.D=12,5 D=23mm
24	944485	1	Terminal	6,3xM5x180
25	839328	1	Tab	16,3x6,3x0,8
26	881491	1	Terminal	6,3x0,75-2,1mm ²
27	853015	1	Cable terminal	For trim instrument., For 853866, Yasaki
28	942429	1	Terminal	For 853866, Yasaki
29	3829867	1	Cable terminal	
	3829868	1	Cable terminal	
30	970777	1	Terminal	
31	968377	1	Housing	2,8x2 natural
	968379	1	Housing	2,8x2 gray
32	968376	1	Housing	4,8/2,8x2 natural
	968378	1	Housing	4,8/2,8x2 gray
33	974313	1	Terminal	2,8x0,8x1,1-2,5mm ²
34	968401	1	Housing	2,8x8 natural
35	968400	1	Housing	4,8/2,8x8 natural
36	976256	1	Housing	2-pole
37	967713	1	Housing	3-pole

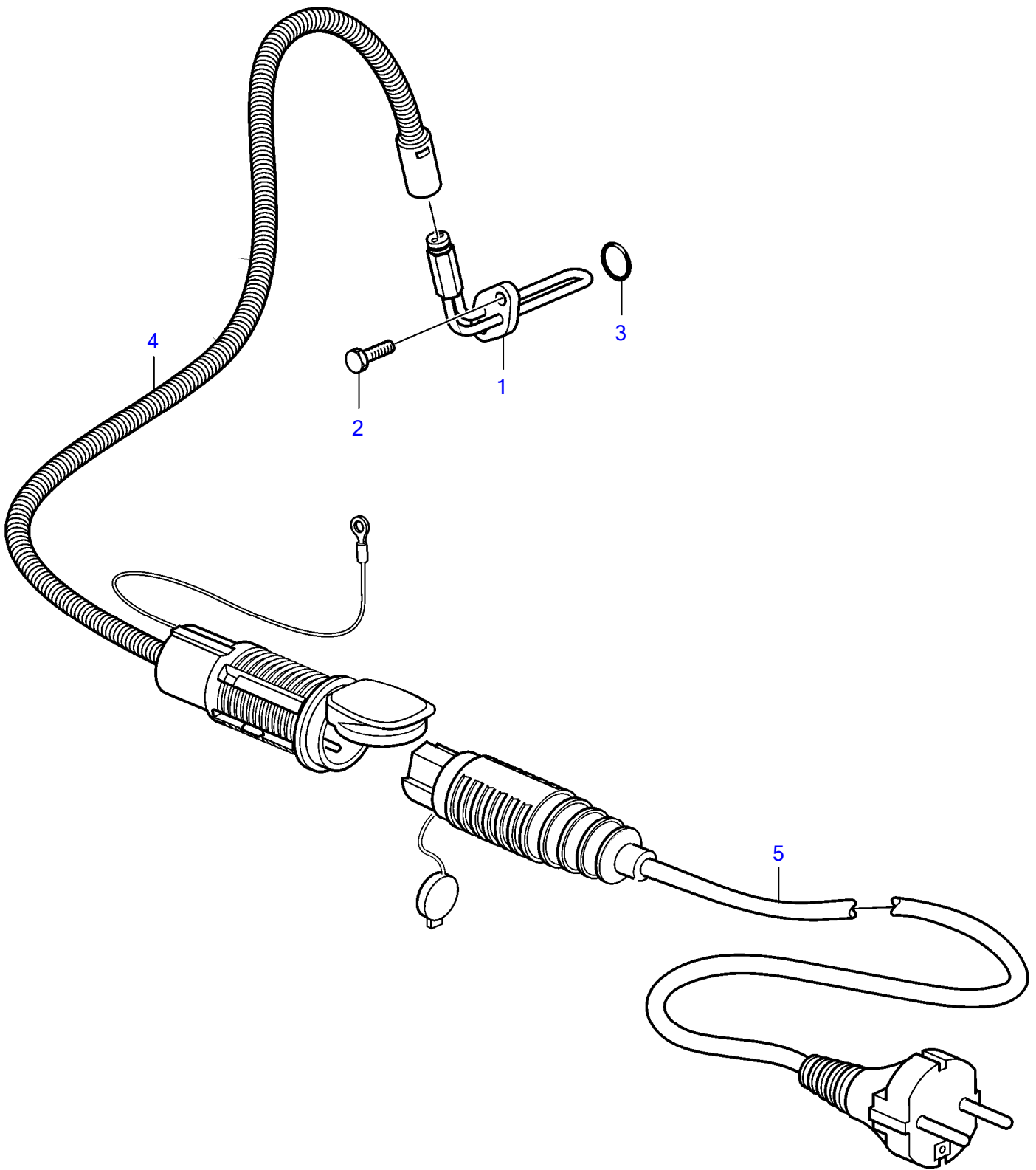


23747

TAD734GE

REF	PART NO.	QTY	DESCRIPTION	NOTES
1	21261350	1	Relay	24V
	21261444		• Switch	
2	20998736	1	Cable set	
3	20796993	1	Cable set	
4	20796994	1	Cable set	
5	947628	1	Gasket	
6	20998750	1	Adapter	
7	969011	1	Gasket	
8	20573949	1	Engine heater	600W / 230V, Replaced by 22288340
	22288340	1	Engine heater	600W / 230V
9	20405599	1	O-ring	

TAD734GE, TAD750GE, TAD751GE, TAD752GE, TAD753GE

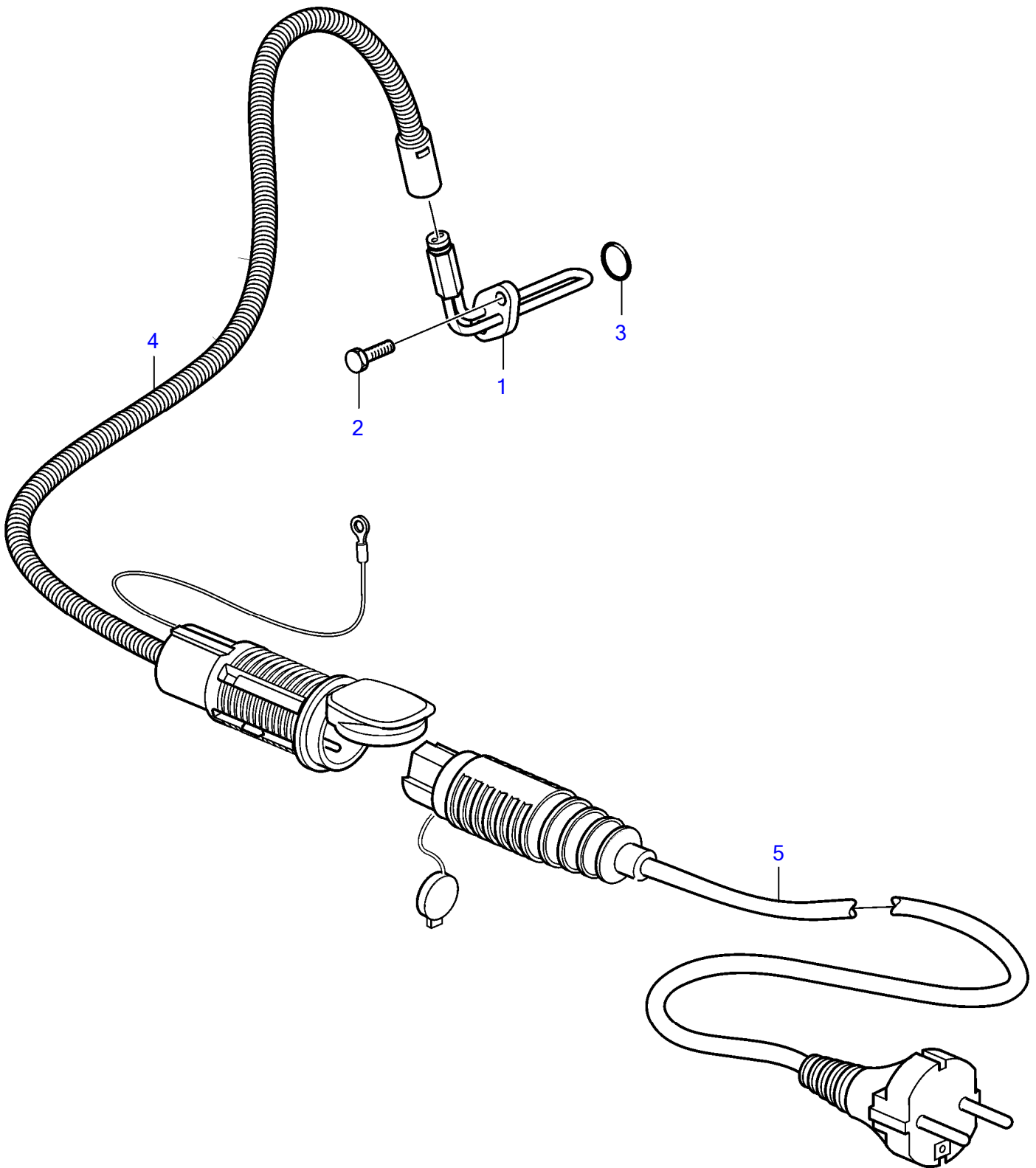


24113

TAD734GE, TAD750GE, TAD751GE, TAD752GE, TAD753GE

REF	PART NO.	QTY	DESCRIPTION	NOTES
1	20573949	1	Engine heater	600W / 230V, Replaced by 22288340
	22288340	1	Engine heater	600W / 230V
2	965215	2	• Flange screw	
3	20405599	2	• O-ring	
4	20555190	1	Cable	SN-1098013, Replaced by 20796993 and 20796994
	20796993	1	Cable set	SN1098014-
5	20796994	1	Cable set	

TAD734GE, TAD752GE, TAD753GE, TAD754GE



24113

TAD734GE, TAD752GE, TAD753GE, TAD754GE

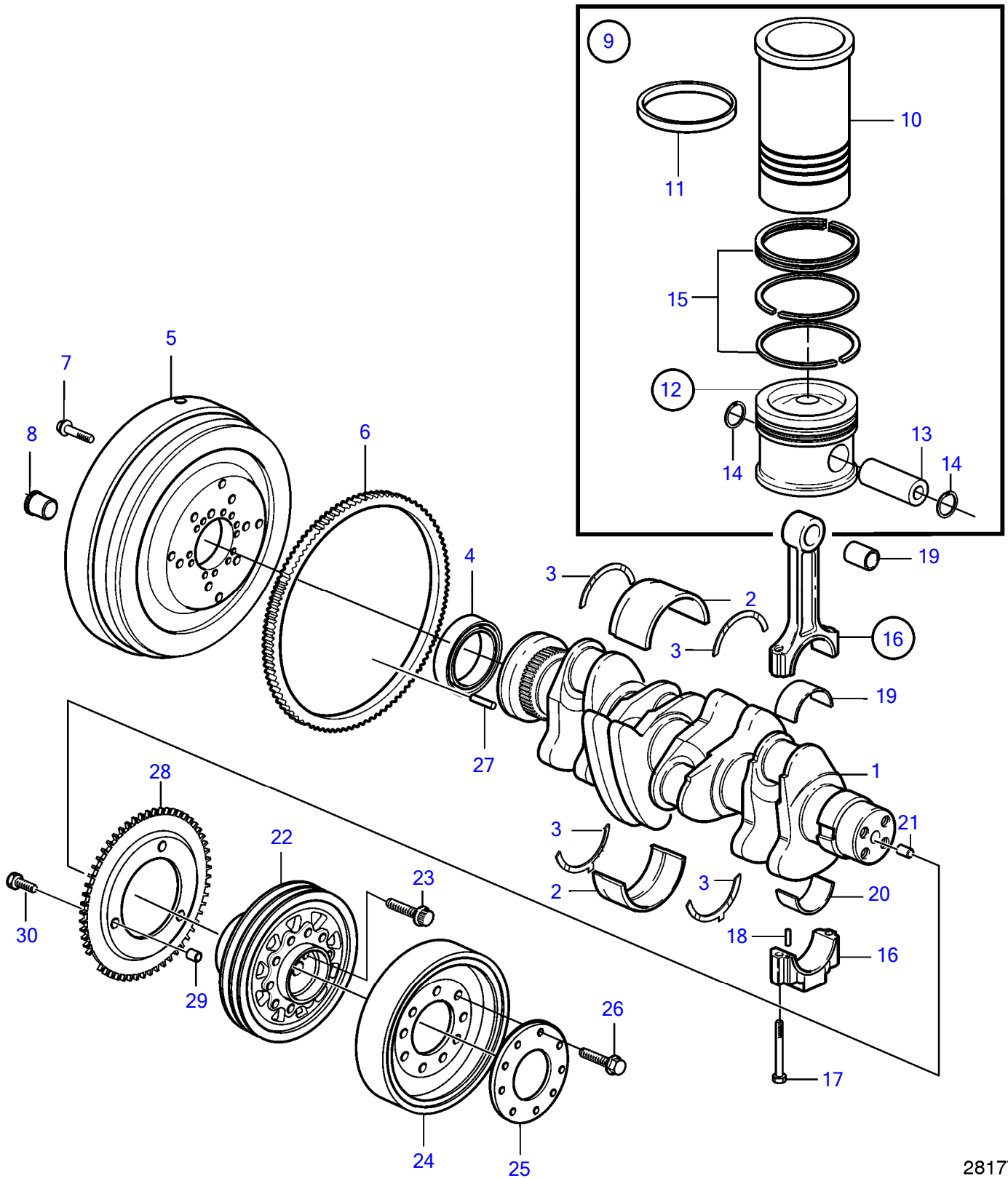
REF	PART NO.	QTY	DESCRIPTION	NOTES
1	20531597	1	Engine heater	820W / 230V, Replaced by 22232676
	22232676	1	Rod	820W / 230V
2	984733	2	• Flange screw	
3	20405599	2	• O-ring	
4	20796993	1	Cable set	
5	20796994	1	Cable set	

TAD750GE, TAD751GE

REF	PART NO.	QTY	DESCRIPTION	NOTES
1	21808940	1	Gasket kit, complete	Complete but without Cylinder Head Gasket

TAD734GE, TAD752GE, TAD753GE, TAD754GE

REF	PART NO.	QTY	DESCRIPTION	NOTES
1	21043318	1	Gasket kit, complete	Complete but without Cylinder Head Gasket
	3594243	1	Overhaul kit, reconditioning	TAD734GE
	21581975	6	• Cylinder liner kit	
	21040125	7	• Main bearing	
	21141955	2	• Thrust washer	
	21034608	6	• Bearing	



28177

REF	PART NO.	QTY	DESCRIPTION	NOTES
1	21264836	1	Crankshaft	
2	21141948	5	Main bearing	Std
	21234191	5	Main bearing	U.S=0,25mm
	20405541	5	Main bearing	U.S=0.50mm
3	21141955	2	Thrust washer	Std
	21141963	2	Thrust washer	O.S=0.20mm (3.1mm)
4	21486084	1	Lip seal	
5	20459129	1	Flywheel	
6	21033328	1	• Starter gear ring	
7	20450835	10	Hexagon screw	
8	20405643	5	Expansion plug	
9	20865990	4	Cylinder liner kit	
10		4	•	
11	20412762	8	• O-ring	
12			•	
13	20405577	4	• • Piston pin	
14	21119637	8	• • Stay	
15	21299547	4	• • Piston ring kit	
16	20585982	4	Connecting rod	
17	11700326	8	• Flange screw	
18	20459134	4	• Grooved pin	
19	11700325	4	• Bushing	
20	20565150	4	Bearing	Std, Only for original part 11700324
	20717211	4	Bearing	U.S=0.25mm, Only for 11700324
	20565188	4	Bearing	U.S=0.50mm, Only for 11700324
21	20405634	1	Spring pin	18X24
22	20515162	1	Pulley	
23	20405724	4	Six point screw	
24	20459925	1	Vibration damper	Rubber 205X32
	21165424	1	Vibration damper	VISCO 280X40
25	21022723	1	Flange plate	
26	995717	9	Flange screw	
27	20799584	1	Spring pin	
28	20972333	1	Lock washer	
29	20450838	1	Spring pin	
30	993357	3	Flange screw	

--

DESCRIPTION	SEE SEC.	NOTES
Cylinder Head	54161515	TAD750GE, TAD751GE
Cylinder Head	54161494	TAD752GE, TAD753GE, TAD754GE
Cylinder Head	54158022	TAD734GE

--

DESCRIPTION	SEE SEC.	NOTES
Cylinder Block	54161516	TAD750GE, TAD751GE
Cylinder Block	54161495	TAD752GE, TAD753GE, TAD754GE
Cylinder Block	54158024	TAD734GE
Flywheel for SAE 10" and 11 1/2"	54158028	TAD734GE
Flywheel Housing SAE 2	54162492	TAD750GE, TAD751GE
Flywheel Housing SAE 3	54162491	TAD750GE, TAD751GE

DESCRIPTION	SEE SEC.	NOTES
Engine Mounting	54161935	TAD750GE, TAD751GE, TAD752GE, TAD753GE, TAD754GE

DESCRIPTION	SEE SEC.	NOTES
Lubricating System	54161499	TAD752GE, TAD753GE, TAD754GE
Lubricating System	54158037	TAD734GE
Lubricating System with Central Oil Sump	54163613	TAD750GE, TAD751GE

--

DESCRIPTION	SEE SEC.	NOTES
Fuel System	54161501	TAD750GE, TAD751GE, TAD752GE, TAD753GE, TAD754GE
Fuel System	54158069	TAD734GE

DESCRIPTION	SEE SEC.	NOTES
Dual Fuel Filter and Connecting Components	54161964	TAD750GE, TAD751GE
Electrical Fuel Feed Pump	54164821	TAD734GE, TAD752GE, TAD753GE, TAD754GE
Feed Pump	54163622	TAD734GE, TAD750GE, TAD751GE, TAD752GE, TAD753GE, TAD754GE
Fuel Filter and Connecting Components	54161954	TAD750GE, TAD751GE
Fuel Filter Housing, Components	54161965	TAD752GE, TAD753GE, TAD754GE
Fuel Filter Housing, Components	54158043	TAD734GE
Fuel Pre Filter and Water Separator	54161807	TAD750GE, TAD751GE
Fuel Pre Filter and Water Separator Components	54163621	TAD734GE, TAD750GE, TAD751GE, TAD752GE, TAD753GE, TAD754GE
Fuel Pre Filter and Water Separator Components	54161741	TAD750GE, TAD751GE, TAD752GE, TAD753GE, TAD754GE
Fuel Pump and Pre Filter with Water Separator	54161503	TAD734GE, TAD750GE, TAD751GE, TAD752GE, TAD753GE, TAD754GE
Fuel Pump. SN-5310555100	54158044	TAD734GE
Fuel Pump. SN5310555101-	54158667	TAD734GE
Pre Filter with Water Separator	54171394	TAD734GE
Pre Filter with Water Separator	54162951	TAD734GE, TAD752GE, TAD753GE, TAD754GE

DESCRIPTION	SEE SEC.	NOTES
Common Rail System	54161525	TAD750GE, TAD751GE
Common Rail System	54161502	TAD752GE, TAD753GE, TAD754GE
Common Rail System. SN-5310428255	54158045	TAD734GE
Common Rail System. SN5310428256-	54158719	TAD734GE
Fuel Injector	54161554	TAD750GE, TAD751GE
Fuel Injector	54161541	TAD752GE, TAD753GE, TAD754GE
Fuel Injector	54158042	TAD734GE
Fuel Pressure Regulator	54161017	TAD734GE, TAD750GE, TAD751GE, TAD752GE, TAD753GE, TAD754GE

--

DESCRIPTION	SEE SEC.	NOTES
EGR	54161960	TAD752GE, TAD753GE, TAD754GE
Induction Manifold with Starter Element	54158072	TAD734GE
Inlet Manifold	54163642	TAD752GE, TAD753GE, TAD754GE
Inlet Manifold	54163618	TAD750GE, TAD751GE
Inlet Manifold	54158046	TAD734GE

--

DESCRIPTION	SEE SEC.	NOTES
Crankcase Ventilation	54158051	TAD734GE
Crankcase Ventilation, Closed with Air Filter	54162106	TAD734GE, TAD752GE, TAD753GE, TAD754GE
Crankcase Ventilation, Closed with Air Filter	54162105	TAD750GE, TAD751GE
Crankcase Ventilation, Std. with Radiator	54161862	TAD752GE, TAD753GE, TAD754GE
Crankcase Ventilation, Std. with Radiator	54161859	TAD750GE, TAD751GE
Crankcase Ventilation, without Radiator	54161858	TAD750GE, TAD751GE

--

DESCRIPTION	SEE SEC.	NOTES
Oil Cooler and Oil Filter	54171404	TAD750GE, TAD751GE
Oil Cooler and Oil Filter	54161506	TAD752GE, TAD753GE
Oil Cooler and Oil Filter	54158052	TAD734GE, TAD754GE

DESCRIPTION	SEE SEC.	NOTES
Cooling System	54161514	TAD752GE, TAD753GE, TAD754GE
Cooling System SN5310914163-	54162061	TAD734GE
Cooling System SN-5311751938	54161940	TAD750GE, TAD751GE
Cooling System SN5311751939-	54166179	TAD750GE, TAD751GE
Cooling System. SN-5310555100	54158159	TAD734GE
Cooling System. SN5310555101-5310914162	54158677	TAD734GE
Expansion Tank with Connection Components	54161507	TAD750GE, TAD751GE, TAD752GE, TAD753GE, TAD754GE
Expansion Tank with Connection Components SN-5310914162	54160338	TAD734GE
Expansion Tank with Connection Components SN5310914163-	54163218	TAD734GE

DESCRIPTION	SEE SEC.	NOTES
Alternator	54161932	TAD750GE, TAD751GE
Alternator	54161510	TAD752GE, TAD753GE, TAD754GE
Alternator	54158068	TAD734GE

DESCRIPTION	SEE SEC.	NOTES
Control Panel, DCU	54171550	TAD734GE, TAD750GE, TAD751GE, TAD752GE, TAD753GE, TAD754GE
Control Unit, ECU	54161512	TAD750GE, TAD751GE, TAD752GE, TAD753GE, TAD754GE
Control Unit, ECU	54158149	TAD734GE
Relay for Starter Element	54164897	TAD752GE, TAD753GE, TAD754GE
Relay for Starter Element	54158062	TAD734GE, TAD750GE, TAD751GE

DESCRIPTION	SEE SEC.	NOTES
Conducting Wire for Fuel Injector	54161653	TAD750GE, TAD751GE, TAD752GE, TAD753GE, TAD754GE
Conducting Wire for Fuel Injector	54158071	TAD734GE
Electrical Materials	54161912	TAD750GE, TAD751GE, TAD752GE, TAD753GE, TAD754GE
Electrical Materials	54158136	TAD734GE
Electrical System	54161528	TAD750GE, TAD751GE
Electrical System	54158073	TAD734GE
Electrical System SN5310970202-5311176249	54163273	TAD752GE, TAD753GE, TAD754GE
Electrical System SN5311176250-	54163274	TAD752GE, TAD753GE, TAD754GE

--

DESCRIPTION	SEE SEC.	NOTES
CIU	54171551	TAD734GE, TAD750GE, TAD751GE, TAD752GE, TAD753GE, TAD754GE

DESCRIPTION	SEE SEC.	NOTES
Contacts and Sensors	54163215	TAD734GE, TAD752GE, TAD753GE, TAD754GE
Contacts and Sensors	54161524	TAD750GE, TAD751GE
Contacts and Sensors	54161523	TAD734GE
Contacts and Sensors	54158099	TAD734GE

--

DESCRIPTION	SEE SEC.
Electrical Materials	54155379
Electrical Materials	54155358

DESCRIPTION	SEE SEC.	NOTES
Engine Heater with Thermostat, Block Mounted 24V	54160408	TAD734GE
Engine Heater, Block Mounted	54166330	TAD734GE, TAD750GE, TAD751GE, TAD752GE, TAD753GE
Engine Heater, Block Mounted	54162037	TAD734GE, TAD752GE, TAD753GE, TAD754GE

REF	DESCRIPTION	SEE SEC.
211	Cylinder Head	211
212	Cylinder Block, Flywheel Housing	212
215	Timing Gears, Cover and Camshaft	215
216	Crankshaft, Flywheel and Ring Gear, Damper Vibration	216
218	Engine Mounting	218
220	General, Lubricating and Oil System	220
229	Miscellaneous, Lubricating and Oil System	229
230	Fuel System, General	230
233	Fuel Supply Pump, Fuel Filter, Fuel decontaminator	233
237	Injector and Supply Lines	237
251	Inlet and Exhaust Manifolds	251
255	Turbo and Supercharger	255
256	Air Filter, Throttle Housing	256
257	Crankcase Ventilation	257
260	General, Cooling System	260
261	Radiator and Connections, Coolant Filter, Expansion Tank	261
262	Coolant Pump and Thermostat	262
263	Fans, Fan Shrouds and Fan Drive	263
320	General, Alternator, Charging, Electric Motor, Electric Drives	320
321	Alternator	321
333	Electric Air Pre-Heaters	333
371	Cables	371
381	Combined Instruments	381
386	Sensors For Indicator and Warning System	386
396	Accessories	396
900	General, Hydraulic System, Special Functions, Miscellaneous	900
990	Miscellaneous, Repair Kits	990



DB MOTEURS

Volvo Penta Center
www.dbmoteurs.fr
 03 28 64 36 36
contactweb@dbmoteurs.fr

CONTACTEZ-NOUS POUR VOTRE PROJET DE (RE)MOTORISATION
 OU POUR TOUT BESOIN DE PIÈCES DÉTACHÉES VOLVO PENTA