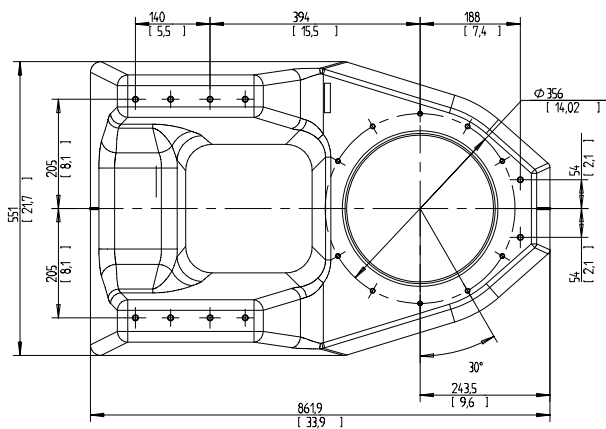
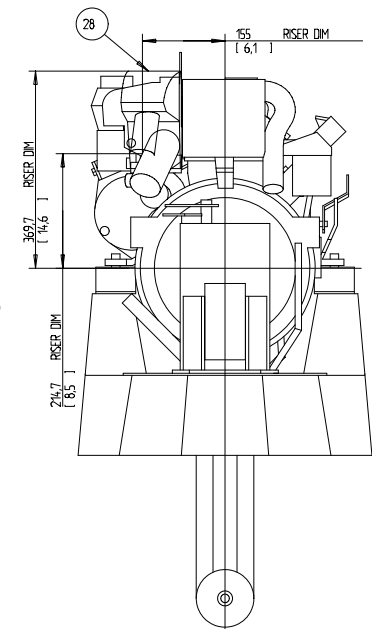
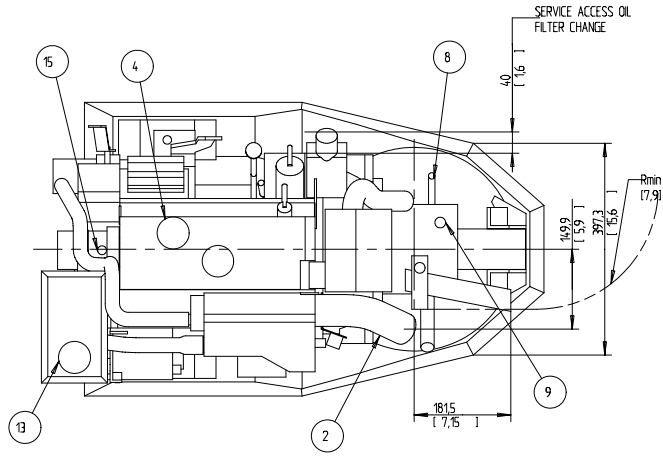
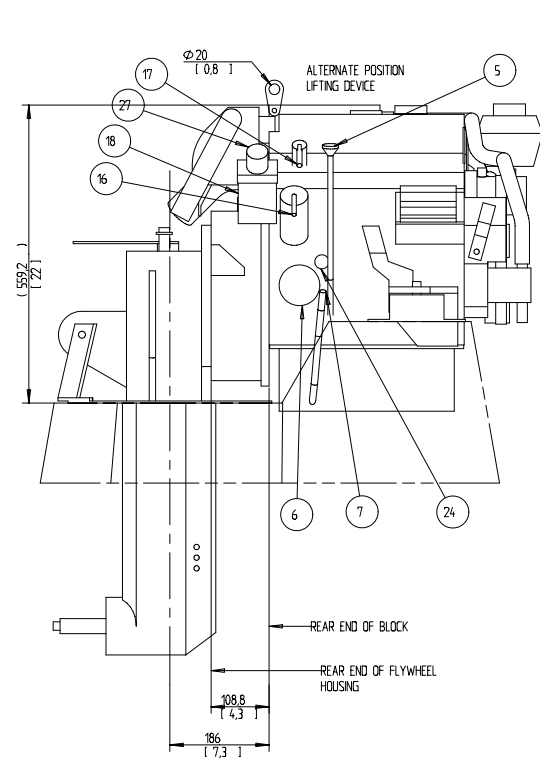
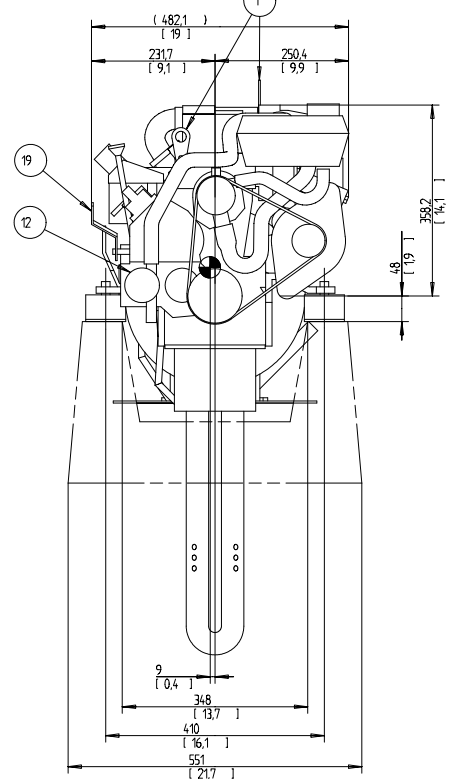
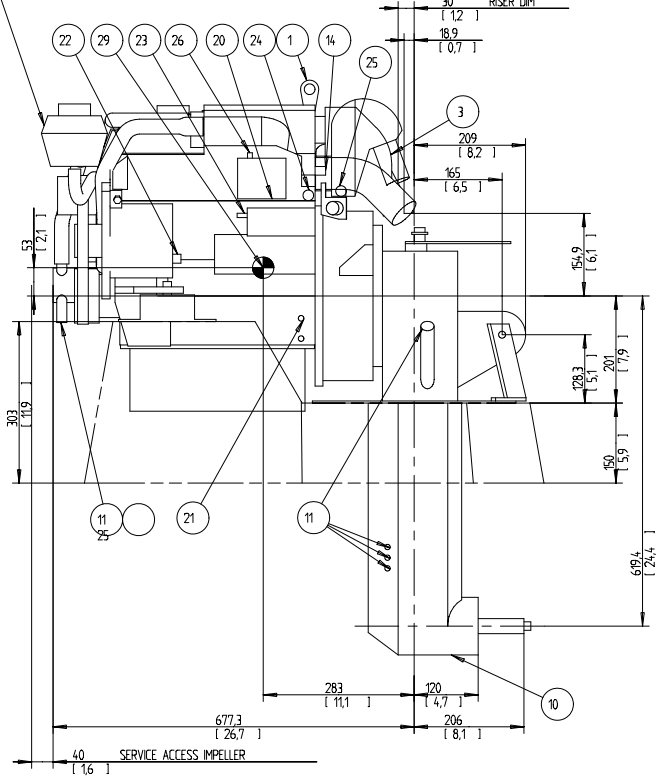


EXPANSION TANK CAN BE BULK HEAD MOUNTED THEN USE HOSE Ø75 943366 AND Ø16 952969



Customer Name DBM	Drawn by DBM	P/A D 1.2.03	Scale 1:1	Released 1
Location DBM	Address DBM	Date 1.2.03	Drawn DBM	Released 1

SCALE 15  
 OIL CAPACITY INCLUDING OIL FILTER: 5,7 LITERS  
 FRESHWATER SYSTEM CAPACITY: 6,4 LITERS  
 WEIGHTS:  
 DRY 175 kg  
 OIL & WATER 183 kg  
 DIMENSION IN MILLIMETRES AND (INCHES)

NR	ITEM
1	LIFTING DEVICE
2	EXHAUST ELBOW FOR HOSE ID 45(175)
3	AIR FILTER (SILENCER)
4	OIL FILLING
5	OIL DIPSTICK ENGINE
6	OIL FILTER
7	OIL DRAIN (WITH PUMP) ENGINE ID 8 (10.35)
8	OIL DIPSTICK REVERSE GEAR
9	OIL FILLER CAP REVERSE GEAR
10	OIL DRAIN REVERSE GEAR
11	SEA WATER INLET FOR HOSE ID 19(0.75)
12	SEA WATER PUMP
13	WATER FILLER CAP FRESH WATER
14	HOTWATER OUTLET
15	HOTWATER INLET
16	FUEL CONNECTION FOR HOSE ID 10 (3/8)
17	FUEL RETURN CONNECTION FOR HOSE ID 10 (3/8)
18	FUEL FILTER
19	SPEED CONTROL LEVER
20	CONNECTION BOX FOR EXTENSION CABLE
21	BATTERY MINUS (-) CONNECTION
22	PLUS (+) CONNECTION FOR CHARGING DISTRIBUTOR
23	STARTER BATTERY PLUS (+) CONNECTION
24	WATER DRAIN FRESH WATER
25	WATER DRAIN SEAWATER
26	AUTOMATIC FUSE RESET
27	HAND PRIMER PUMP
28	RISER (OPTIONAL)
29	CENTRE OF GRAVITY

© DBM'S DESIGN AND GENERAL DRAWING METHODS STD 00-000 AND STD 002500 The copy, alteration and utilization of this document as well as the reproduction of its contents is strictly prohibited without the prior written consent of DBM. All rights reserved. In the case of any dispute, DBM shall be deemed to have the final say.		
ENGINE DIMENSIONS D2-40/130S	Document type DIMENSION DRAWING Part identification code 3591395	
VOLVO PENTA		Part No. 101

Plus d'informations sur : [www.dbmoteurs](http://www.dbmoteurs)