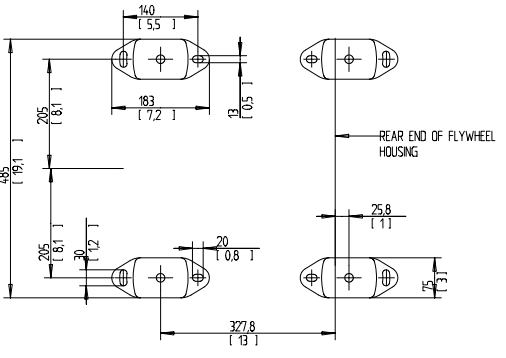
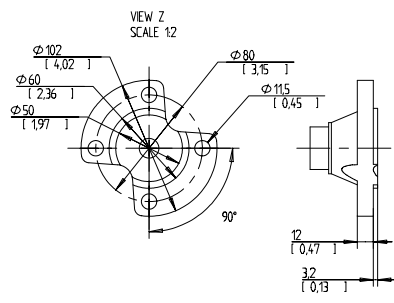
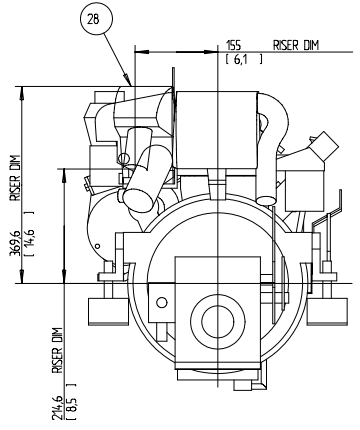
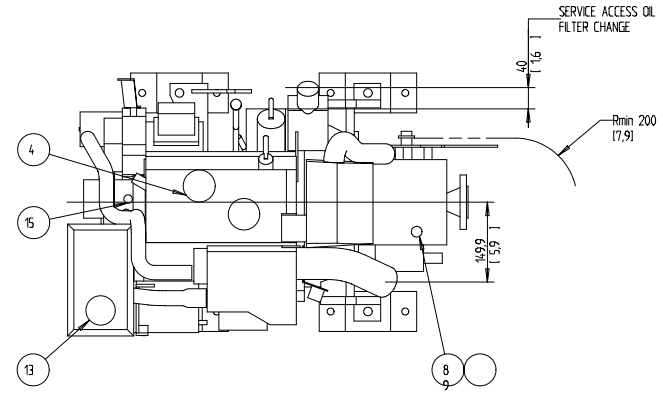
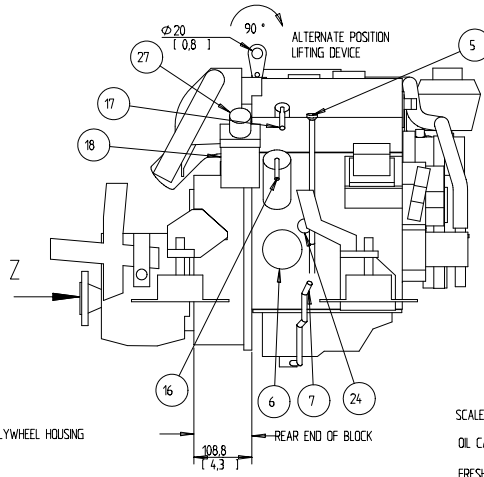
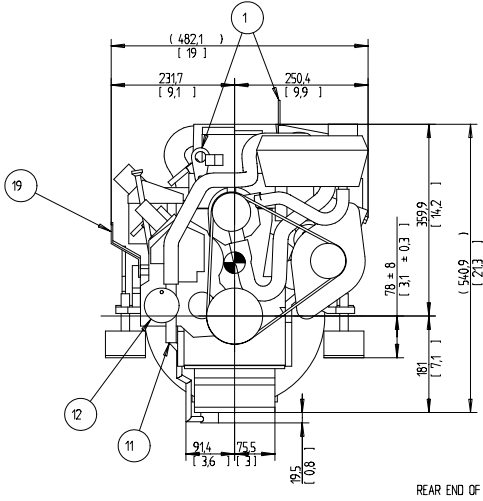
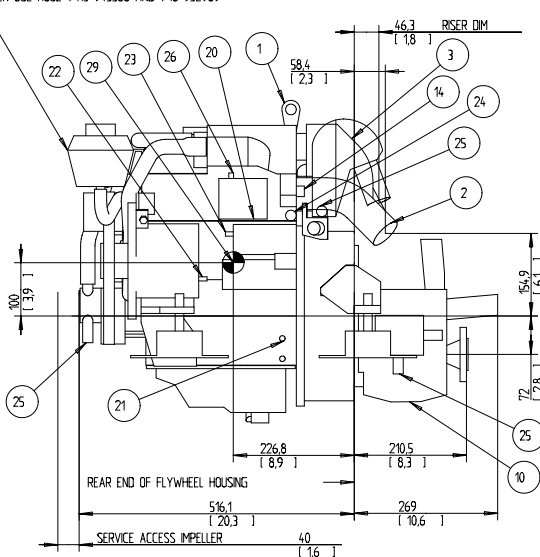


EXPANSION TANK CAN BE BULK HEAD MOUNTED
THEN USE HOSE Ø75 943366 AND Ø16 952969



SCALE 15
OIL CAPACITY INCLUDING OIL FILTER: 35 LITERS
FRESHWATER SYSTEM CAPACITY: 4.1 LITERS
WEIGHTS:
DRY 140 kg
OIL & WATER 147 kg

DIMENSION IN MILLIMETRES AND (INCHES)

NR	ITEM
1	LIFTING DEVICE
2	EXHAUST ELBOW FOR HOSE ID 45(1.75)
3	AIR FILTER (SILENCER)
4	OIL FILLING
5	OIL DIPSTICK ENGINE
6	OIL FILTER
7	OIL DRAIN (WITH PUMP) ENGINE ID 8 (0.35)
8	OIL DIPSTICK REVERSE GEAR
9	OIL FILLER CAP REVERSE GEAR
10	OIL DRAIN REVERSE GEAR
11	SEAWATER INLET FOR HOSE ID 19(0.75)
12	SEA WATER PUMP
13	WATER FILLER CAP FRESH WATER
14	HOTWATER OUTLET
15	HOTWATER INLET
16	FUEL CONNECTION FOR HOSE ID 10 (3/8)
17	FUEL RETURN CONNECTION FOR HOSE ID 10 (3/8)
18	FUEL FILTER
19	SPEED CONTROL LEVER
20	CONNECTION BOX FOR EXTENSION CABLE
21	BATTERY MINUS (-) CONNECTION
22	PLUS (+) CONNECTION FOR CHARGING DISTRIBUTOR
23	STARTER BATTERY PLUS (+) CONNECTION
24	WATER DRAIN FRESH WATER
25	WATER DRAIN SEAWATER
26	AUTOMATIC FUSE RESET
27	HAND PRIMER PUMP
28	RISER (OPTIONAL)
29	CENTRE OF GRAVITY

<small>© VOLVO DIESEL/TORNO AND GENERAL DRAWING METHODS STD 90-5400 AND STD 922500</small>		
<small>The copying, adaptation and alteration of this document as well as the construction of its contents to others without the express authorisation of the company is strictly prohibited. In the event of any doubt, please refer to the original drawing or contact the company.</small>		
VOLVO PENTA		Document type DIMENSION DRAWING Part number 3591390
ENGINE DIMENSIONS D1-30/MSL		
Drawing No 3591390	Part No 101	Scale 15