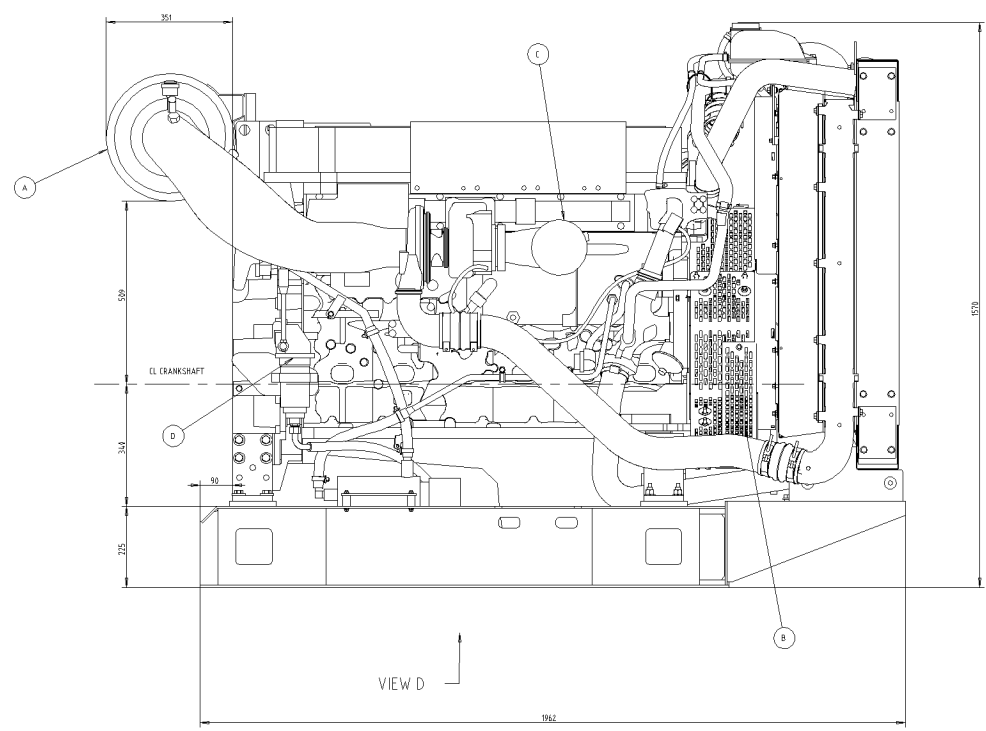
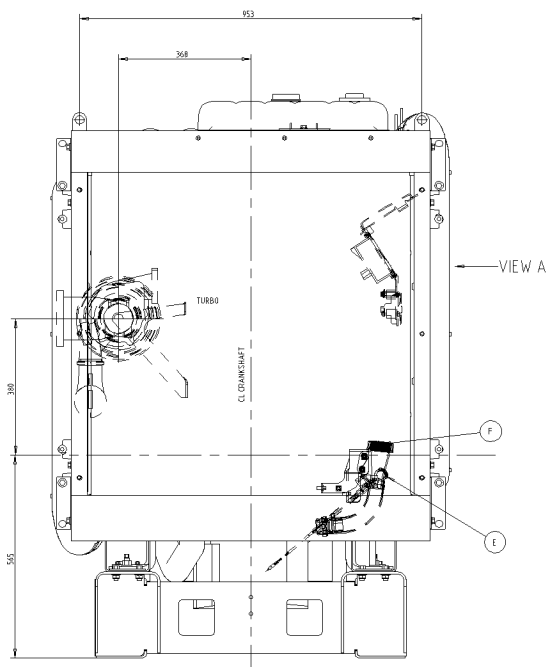


- A: AIR FILTER, REAR MOUNTED
 - B: BELT GUARD
 - C: EXHAUST PIPE
 - D: OIL DRAIN PUMP
 - E: OIL DIP STICK
 - F: OIL FILLER CAP
 - G: INSTRUMENT PANEL
 - H: SPEED CONTROL
- SCALE: 1:5



The drawing shall be read and interpreted in the context of the complete technical documentation of the product. Any modification to the drawing shall be indicated by a revision symbol in the upper right corner. The drawing shall be read in the context of the complete technical documentation of the product. Any modification to the drawing shall be indicated by a revision symbol in the upper right corner.	INTERNAL USE ONLY ENGINE DIMENSIONS TAD564-65VE / POWER PAC
	DIMENSION DRAWING (For dimensioning only)
	22001004 01 1/11