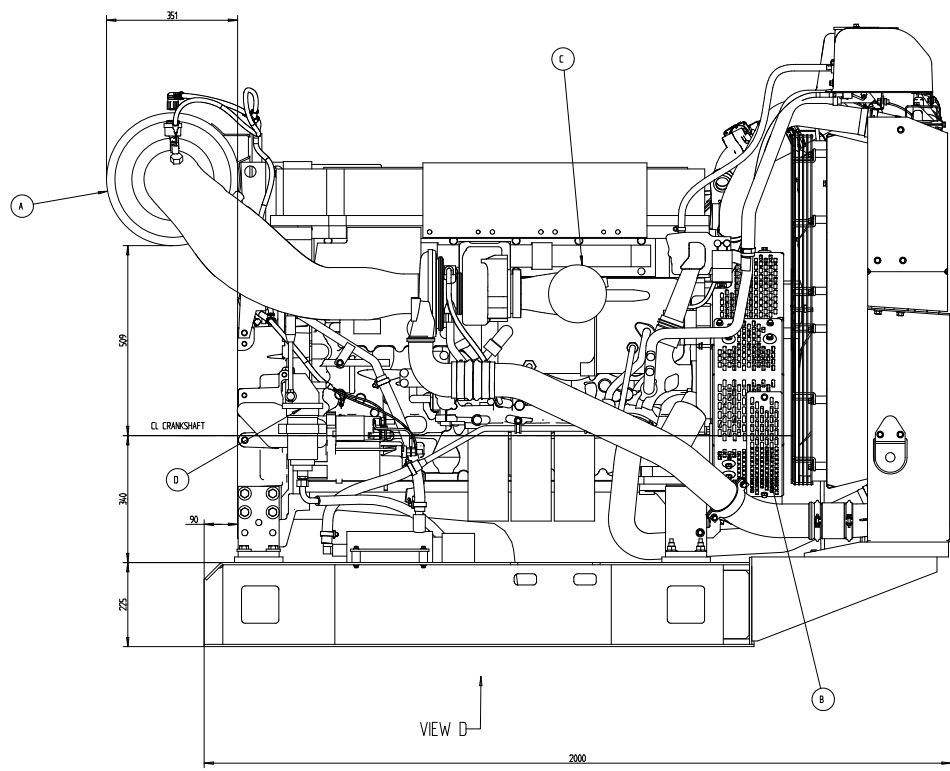
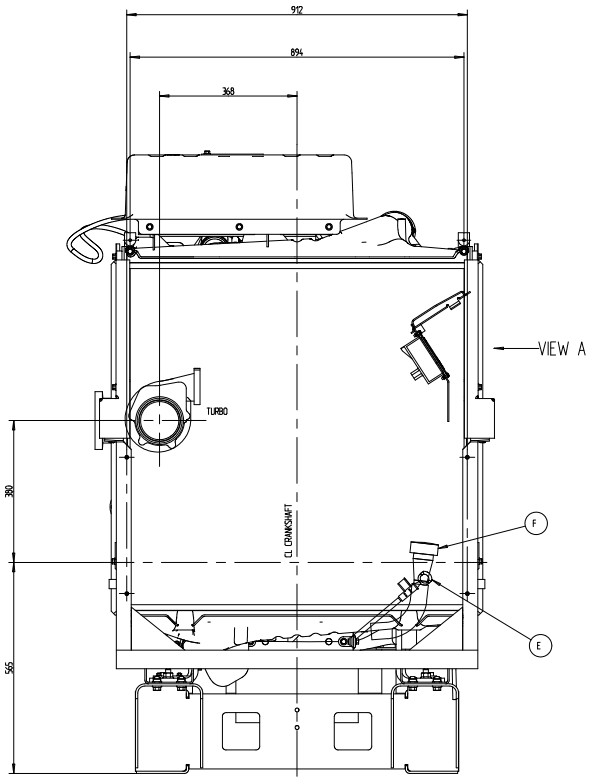


- A= AIR FILTER, REAR MOUNTED
 - B= BELT GUARD
 - C= EXHAUST PIPE
 - D= OIL DRAIN PUMP
 - E= OIL DIP STICK
 - F= OIL FILLER CAP
 - G= INSTRUMENT PANEL
 - H= SPEED CONTROL
- SCALE: 1:5



Plus d'informations sur : www.dbmoteurs.fr

VOLVO PENTA 21549261		SYMBOLS EXPLANATION AND GENERAL DRAWING RULES SEE 01-0004	
ENGINE INSTALLATION TAD1360-65VE / POWER PAC		INSTALLATION DRAWING 1/25	01